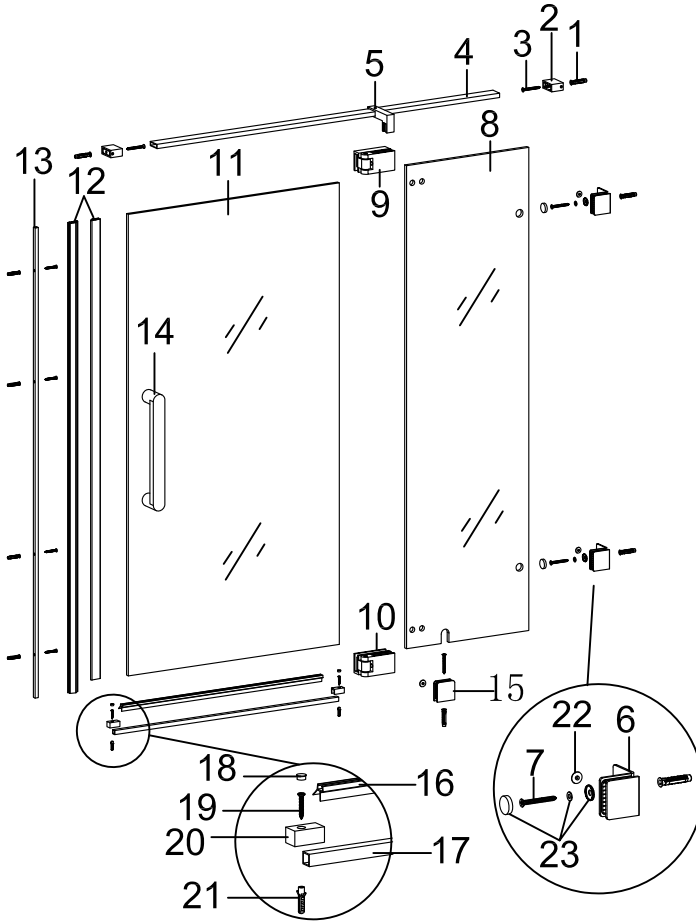


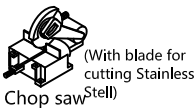
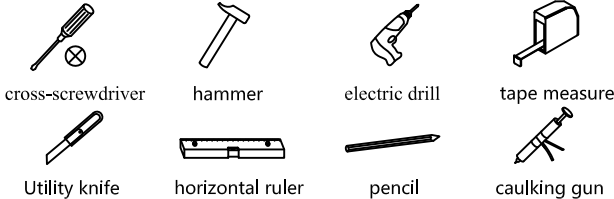
INSTALLATION MANUAL

MODELS: LY9701(BG)



NO.	Thumbnail	QTY	Description
1		5	Inflatable glue 8mm
2		2	Tube
3		2	ST5x45 self-tapping screw
4		1	Square tube
5		1	Clamp
6		2	90 degree angle yard
7		3	ST5x35 self-tapping screw
8		1	Fixing glass
9		1	Door hinge A
10		1	Door hinge B
11		1	Movable glass
12		1	Magnetic stripe
13		1	Square tube 8x8
14		1	Handle
15		1	Fixing clamp
16		1	Rubber waterproof bar
17		1	Aluminum waterproof bar
18		2	Decorative cover
19		6	ST4x25 self-tapping screw
20		1	Water fixed part
21		6	Inflatable glue 5mm
22		3	Decorative cover
23		2	Decorative cover

Tools you need



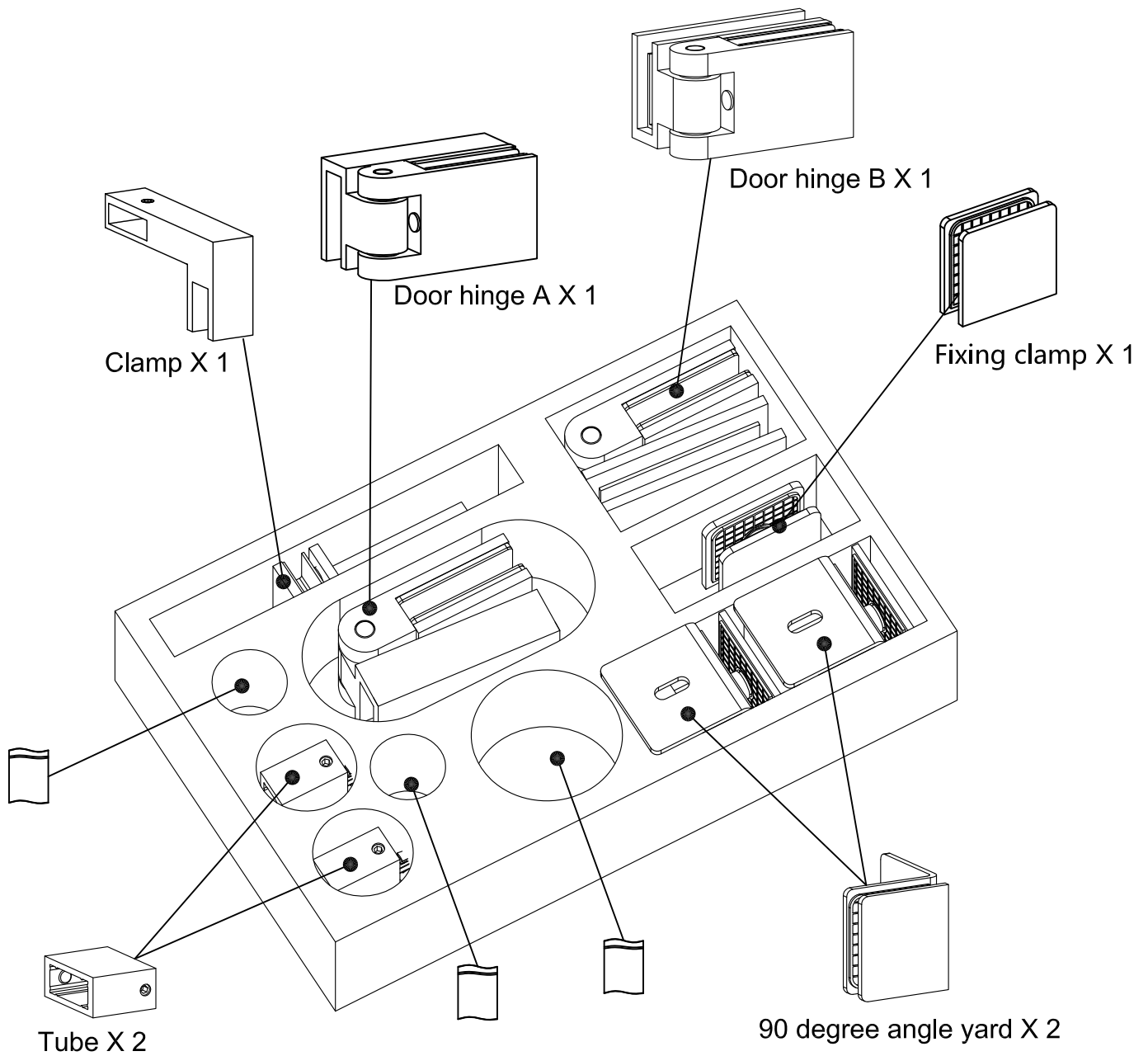


Please read this instructions before installation.

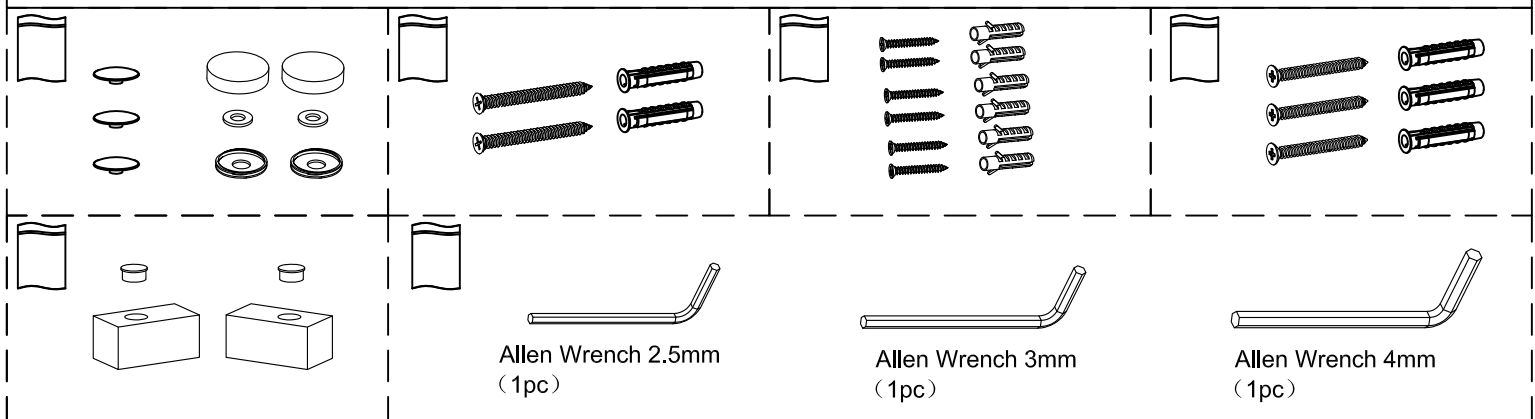
Precautions before installation.

- The shower room should be installed by professionals according to instructions. Otherwise, the shower room may be unstable or fall down which will lead to product broken or people injured.
- Count the object quantity. The glasses must be moved by two people. Put a soft and non-slip object under the glass and stand the glass against a wall smoothly. It will make the glass broken if it is placed in horizontal position. Pay attention to avoid hitting the four corners of the glass.
- Don't strongly knock the glass to avoid being broken.
- Before install the shower room, read the instructions carefully and know well about the tooling and installation sequence.
- It can be used and clean after 24 hour installation.

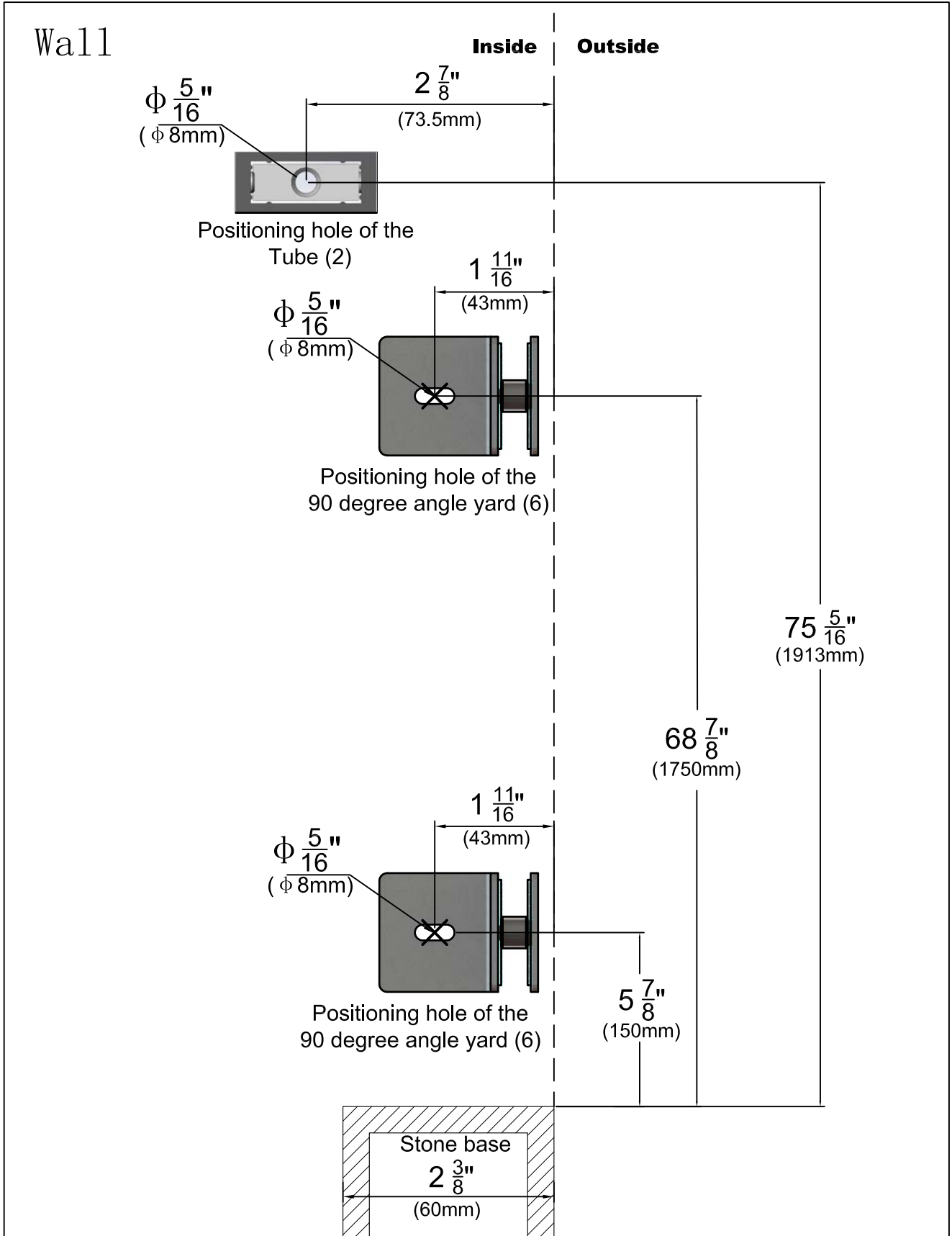




※ The following accessories are packed separately into PE bags.



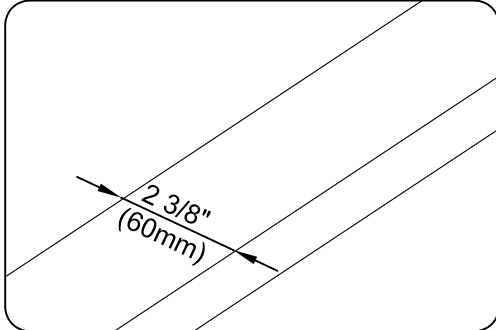
Punch auxiliary drawing.



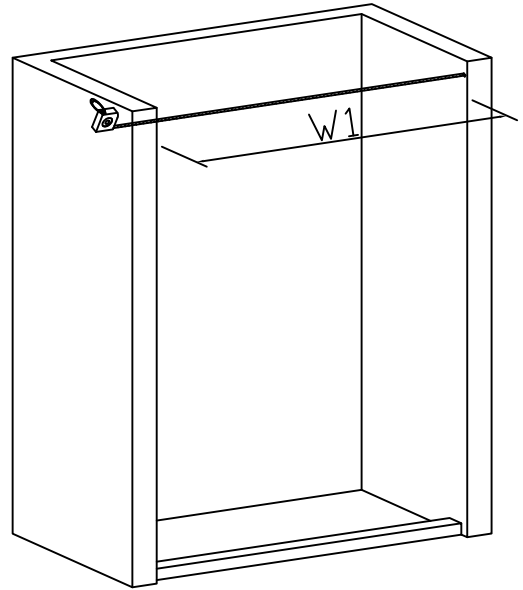
This drawing only applies to products with a height of : 75" (1900mm).
(The dimension of this drawing is for reference only. Please follow the
installation instructions.)

① Measure and cut as per room spec.

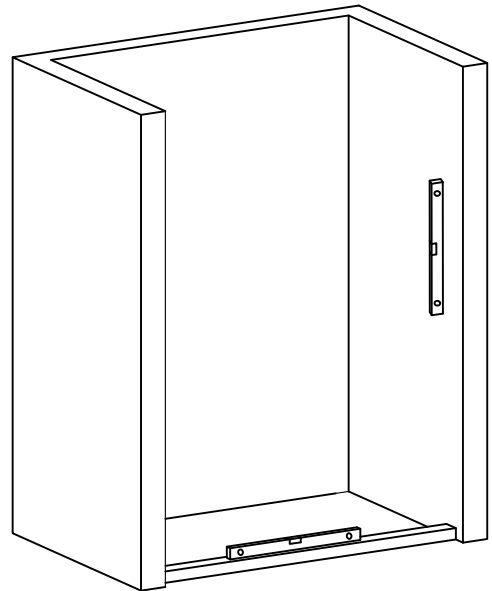
1.1 Measure the dimension of the installation position W1.



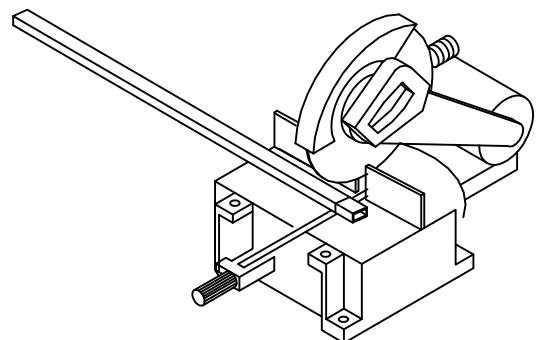
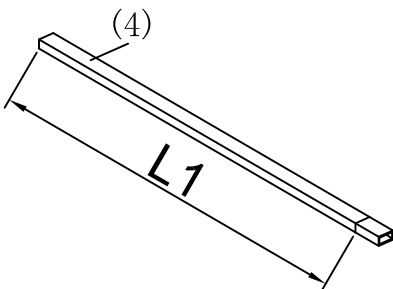
Note: The stone base width should be at least 2 3/8"(60mm).



1.2 Use horizontal ruler to measure whether the wall is vertical and the stone base is level, adjust and make sure the installation position is level.

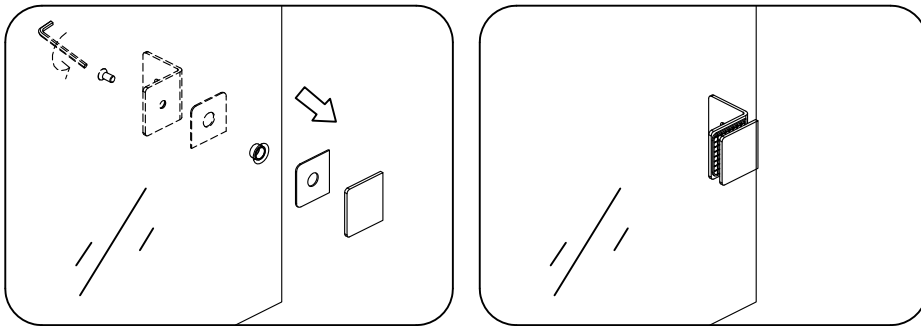


1.3 Cut the Steel tube(4) according to the measured wide.
The length of the round tube is : $L1 = W1 - 1"$ (25mm)

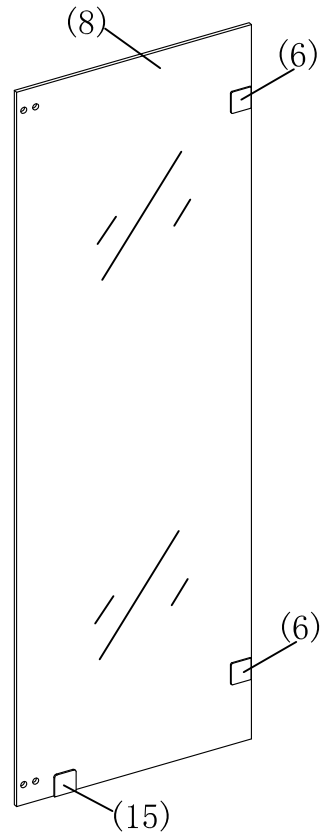
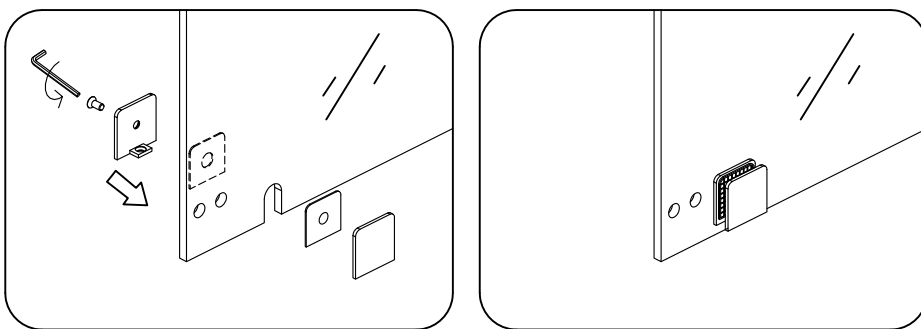


② Install the fixed glass.

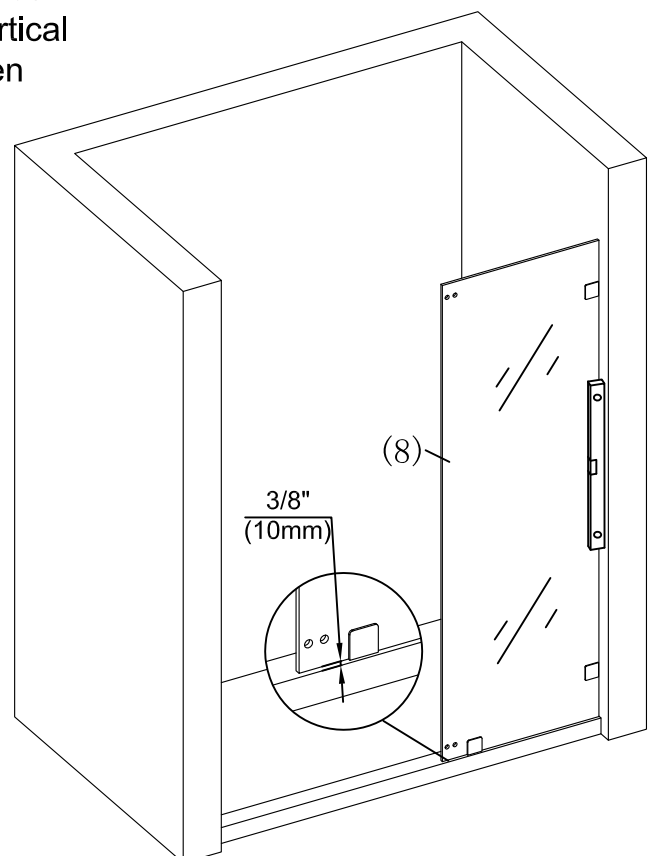
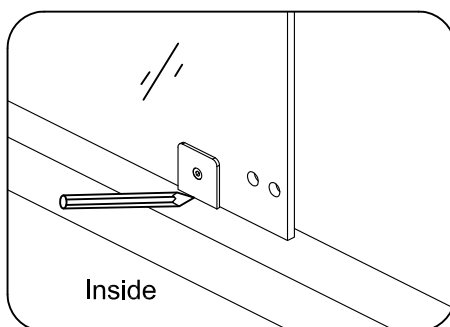
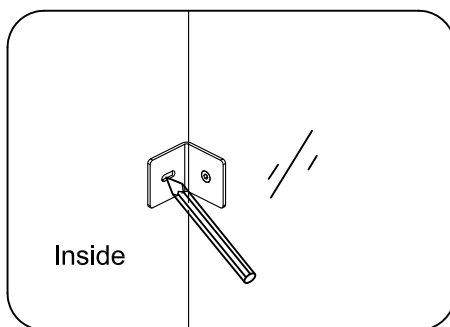
2.1 Install the 90 degree angle yard (6) to the fixed glass (8).



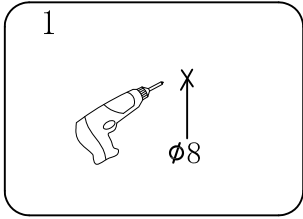
2.2 Install the Fixing clamp (15) to the fixed glass (8).



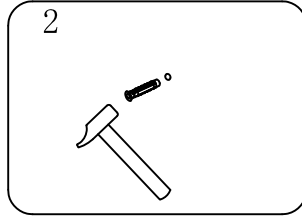
2.3 Put the fixed glass (8) on the stone base, fixed the the glass (8) to the outer edge of the stone base 3/8"(10mm) and adjust it to horizontal and vertical by the horizontal ruler. Mark with a pencil, then remove the fixed glass (8).



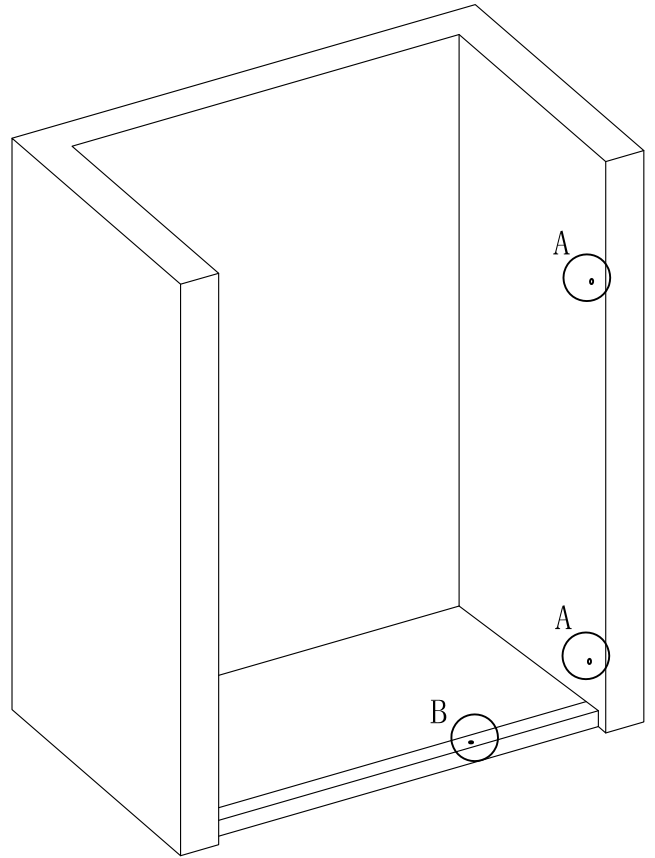
2.4 Mark the hole in position A.



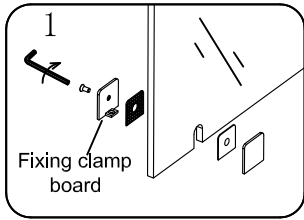
1. Drill holes at mark A with a $\phi 8$ drill bit.



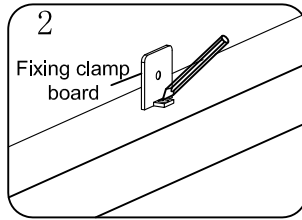
2. Drive a Inflatable glue 8mm(1).



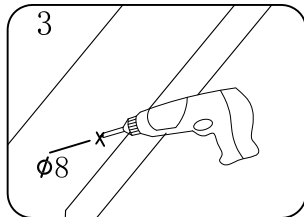
2.5 Mark the hole in position B.



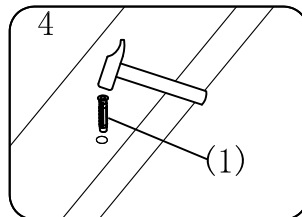
1. Disassemble the Fixing clamp (15).



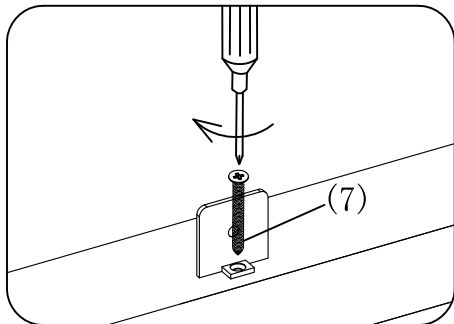
2. Mark the hole position.



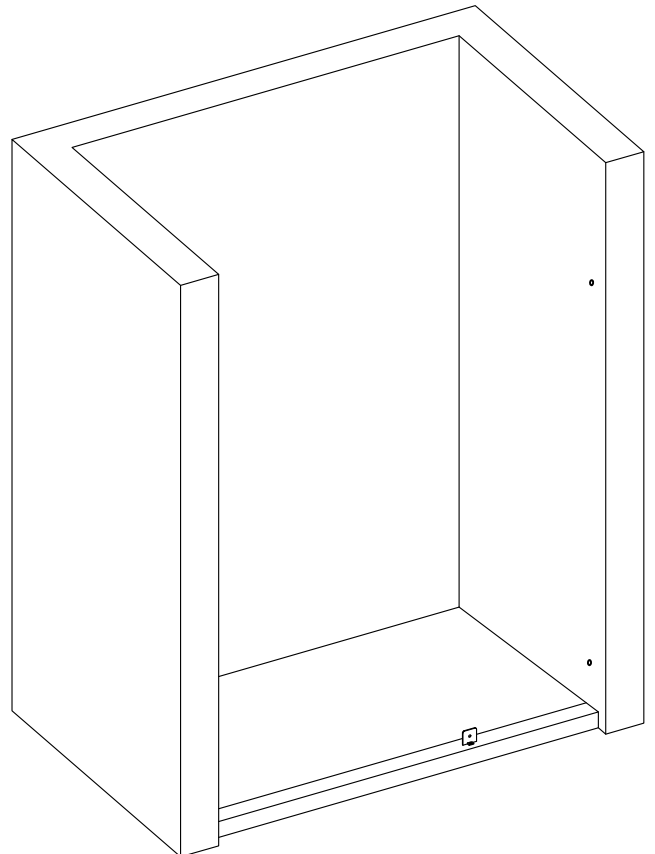
3. Drill the mark with a $\phi 8$ drill bit.



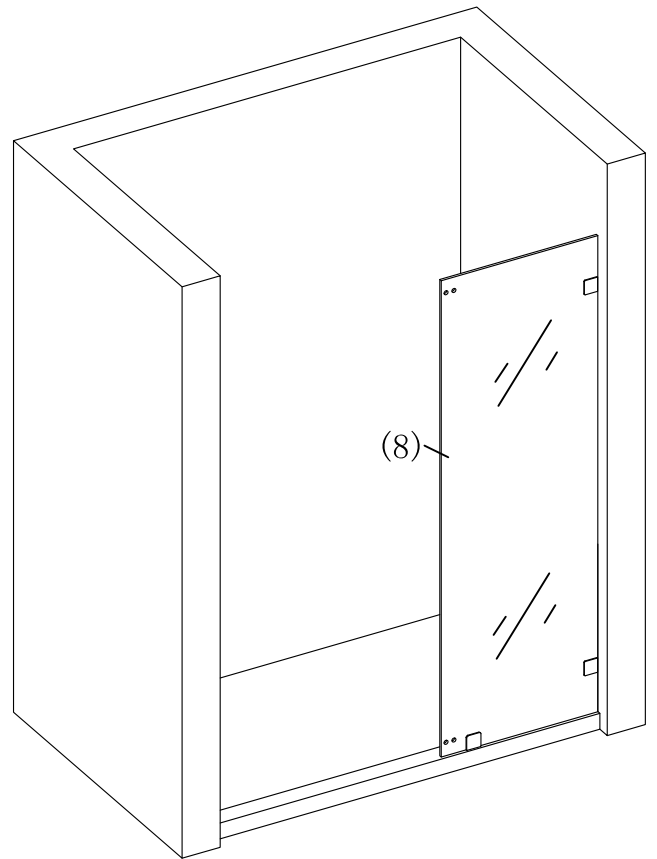
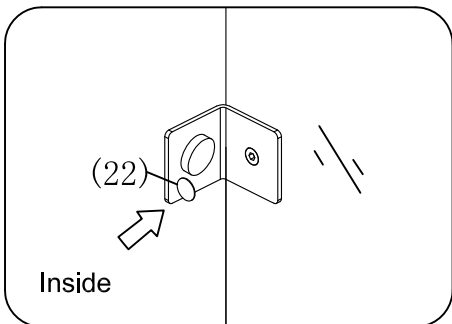
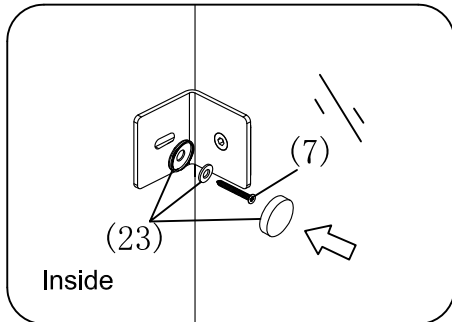
4. Drive Inflatable glue 8mm(1).



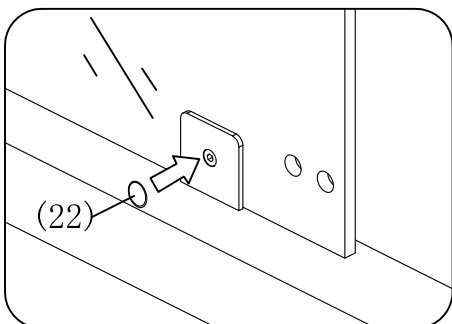
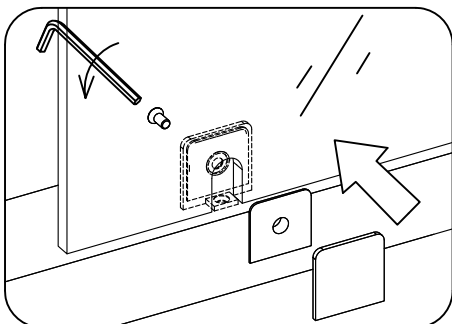
5. Locked the fixing clamp board with ST5X35 self-tapping screw.



2.6 Place the fixed glass (8) on the stone base, align the hole, and use horizontal ruler to make it vertical. Lock the 90 degree angle yard(6) with the ST5x35 self-tapping screw(7).

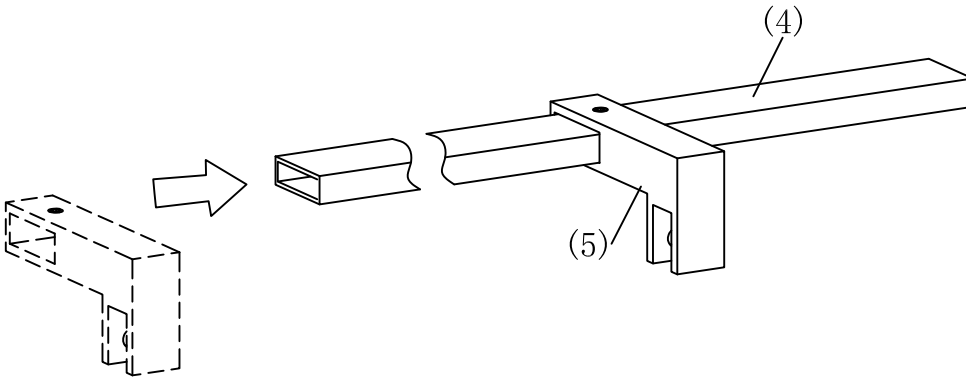


2.7 Lock the Fixing clamp (15) .

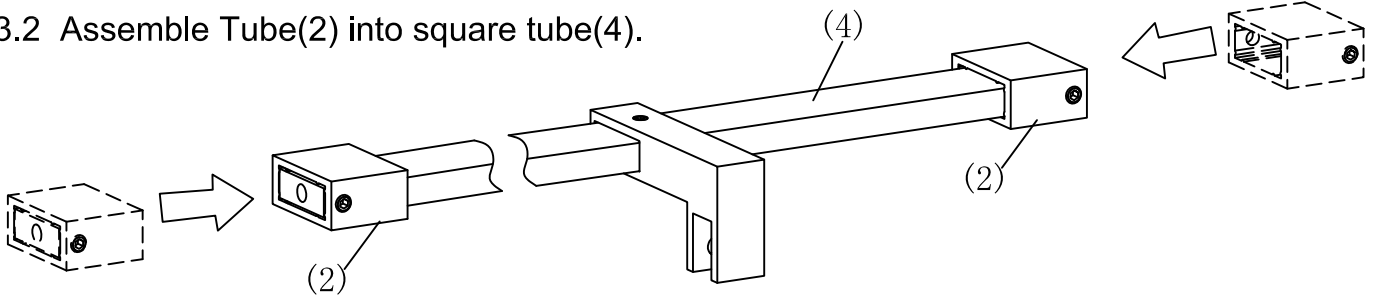


③ Install the square tube.

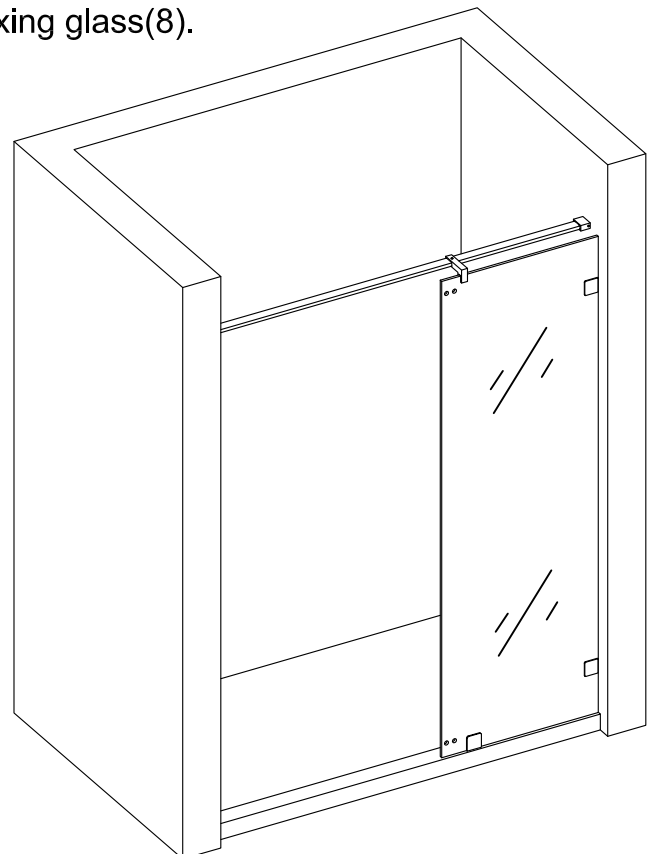
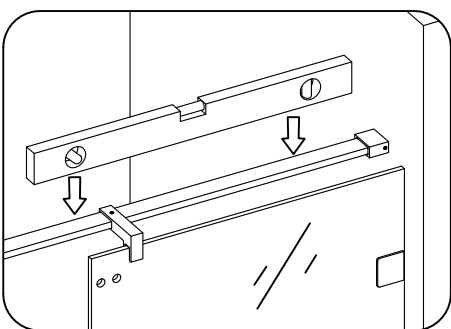
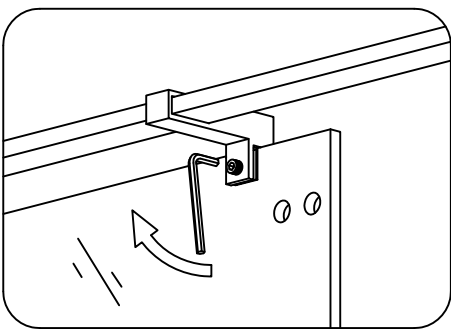
3.1 Assemble Clamp(5) into square tube(4).



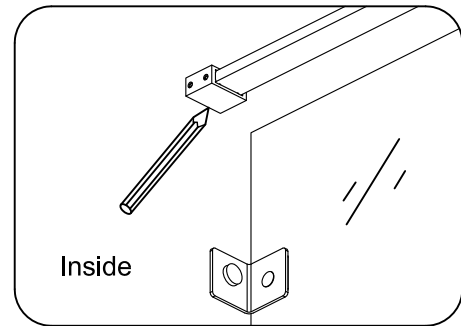
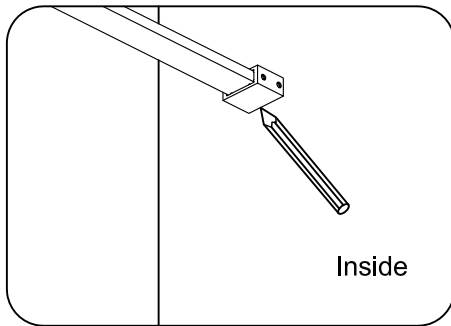
3.2 Assemble Tube(2) into square tube(4).



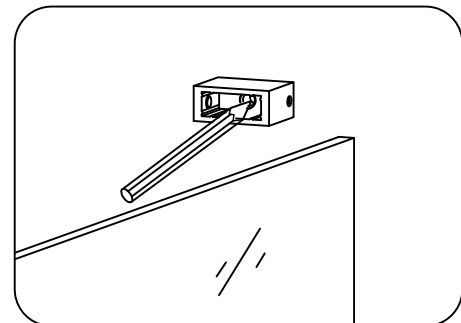
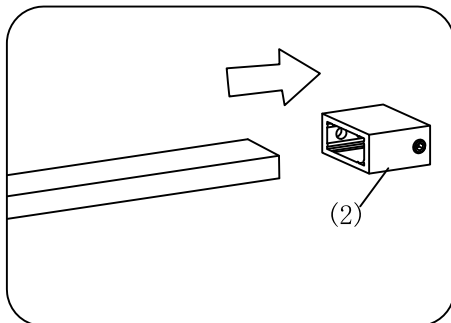
3.3 Attach the assembled square tube to the Fixing glass(8).



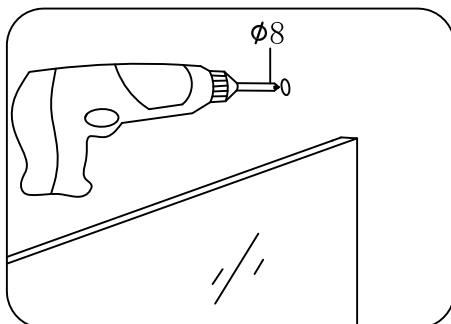
3.4 Mark with a pencil.



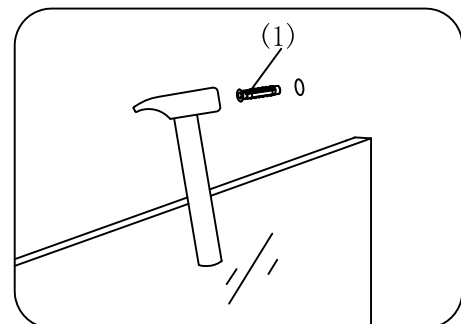
3.5 Mark the hole position.



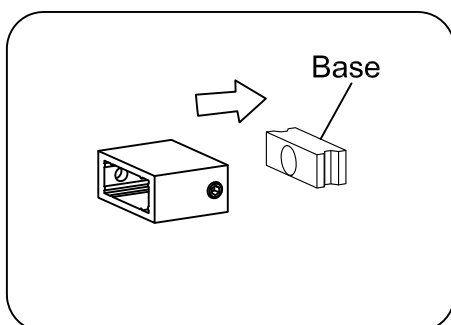
3.6 Fix the Tube (2) .



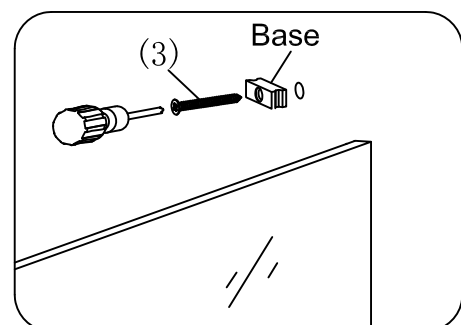
1. Drill holes at mark A with a $\phi 8$ drill bit.



2. Drive a Inflatable glue 8mm(1).

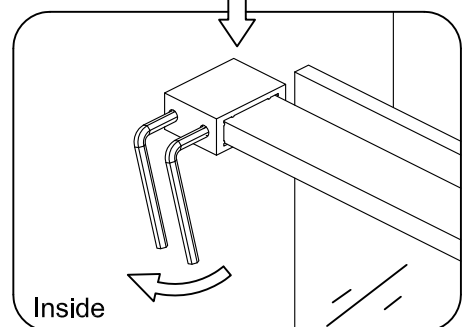
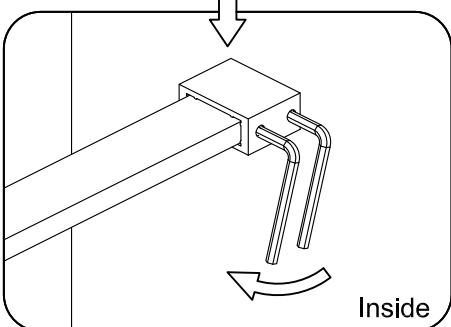
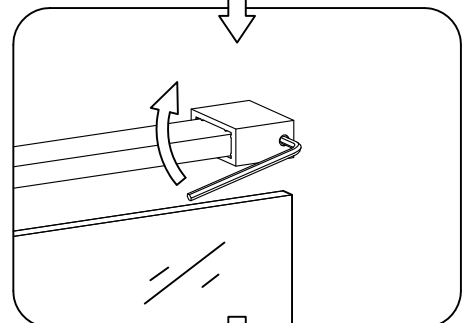
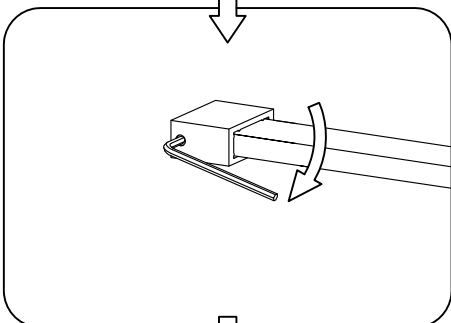
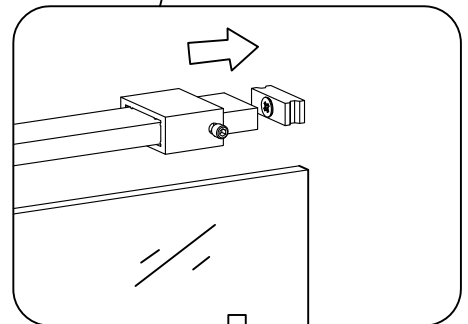
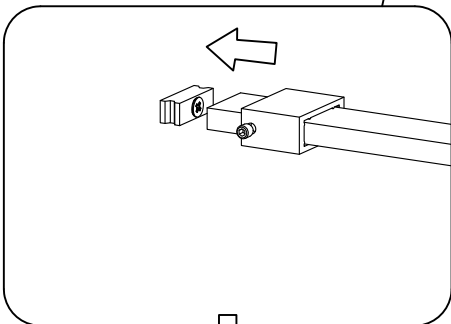
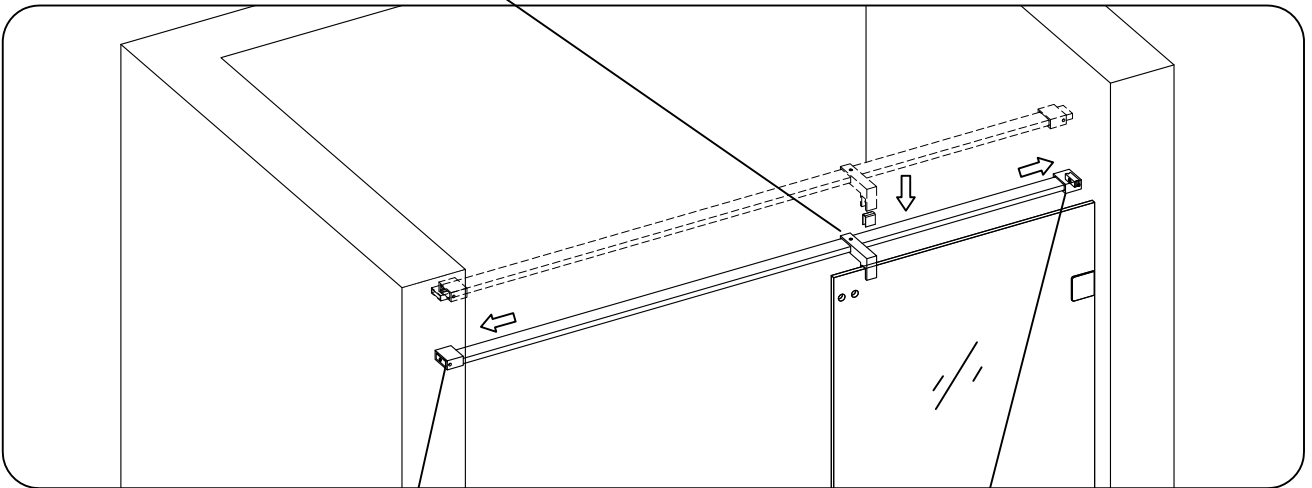
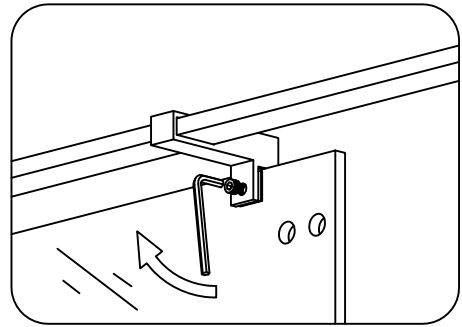
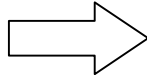
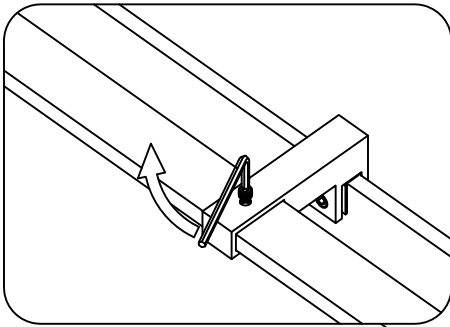


3. Disassemble the Tube (2).



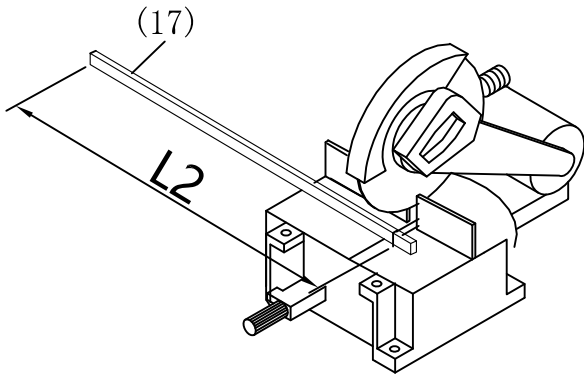
4. Lock the fixed base to the wall with ST5x45 self-tapping screw (3).

3.7 Install the upper square tube.

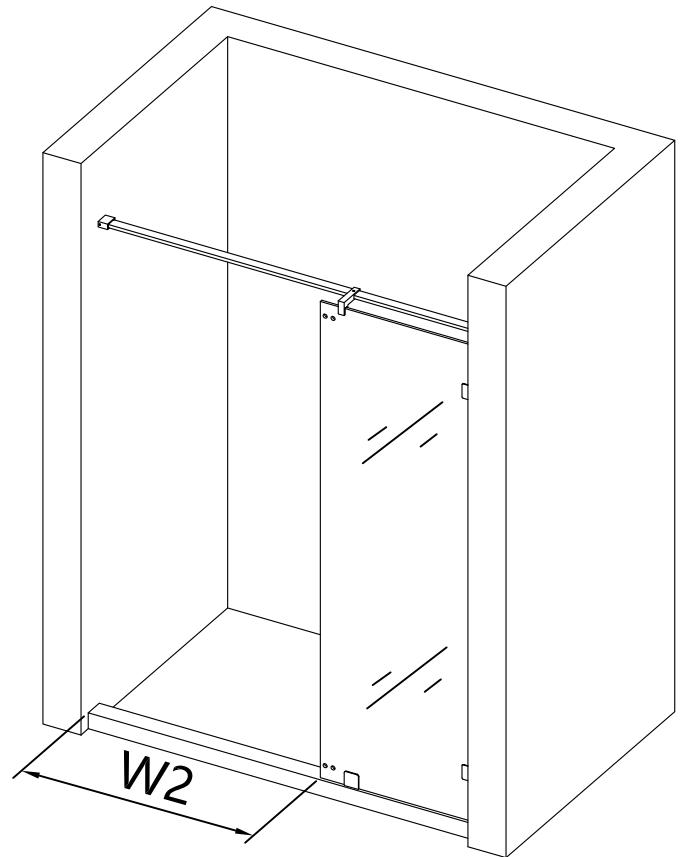


④ Install the waterproof bar.

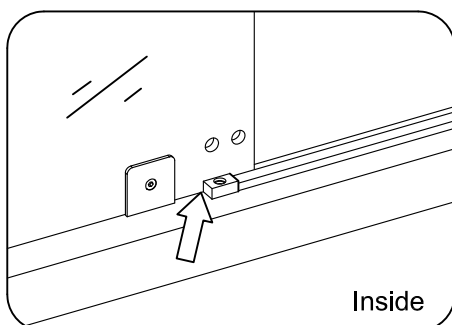
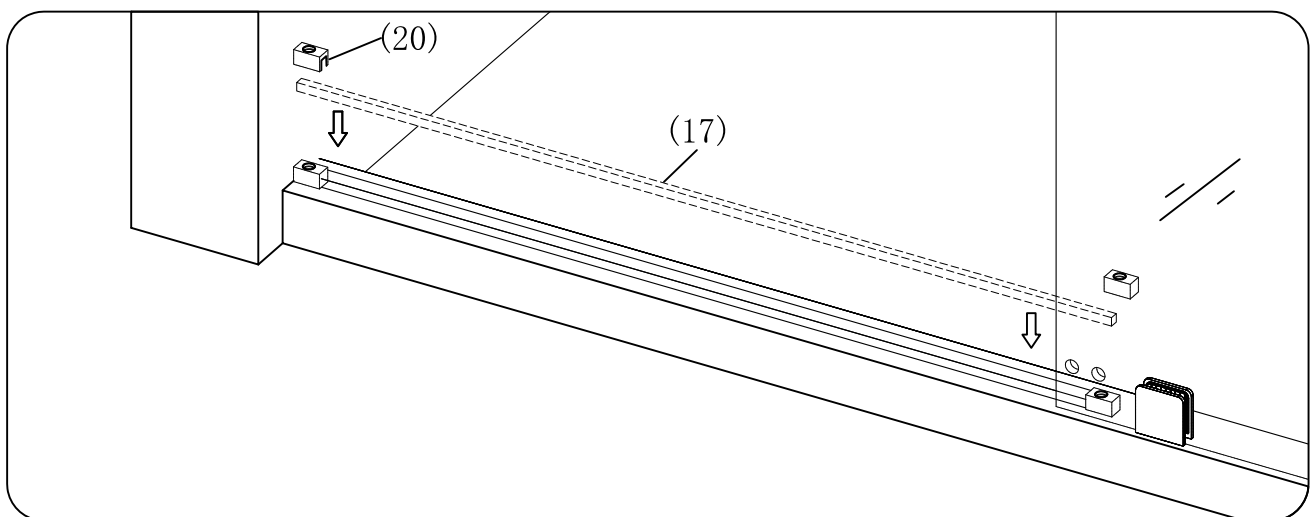
4.1 Measure the distance Fixing glass(8) and the wall, and cut the lower water bar(17) according to the distance (W2).



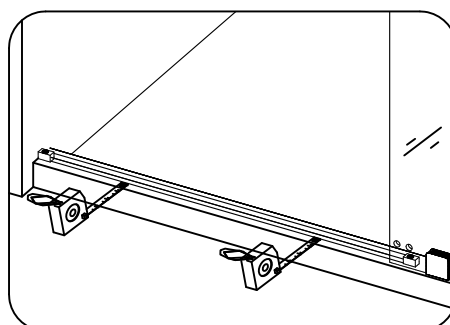
Lower water bar length $L2 = W2$.



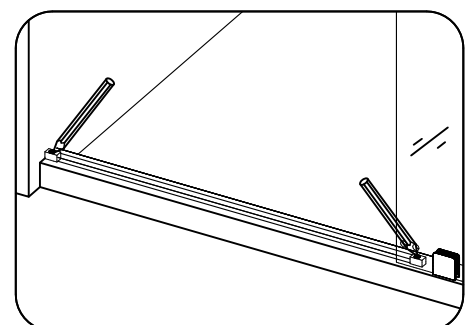
4.2 Put the Aluminum waterproof bar(17) and Water fixed part(20) on the stone base.



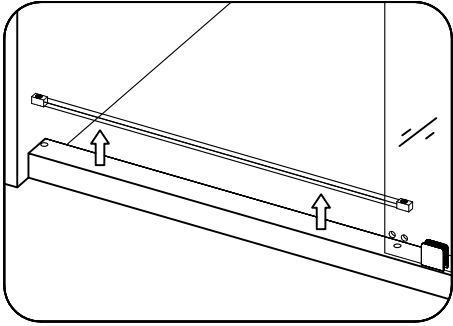
1. Make sure the water fixed part(20) against the fixing glass as closer as it can be.



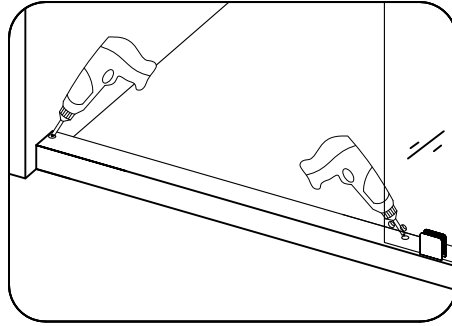
2. Measure the distance by a tap.



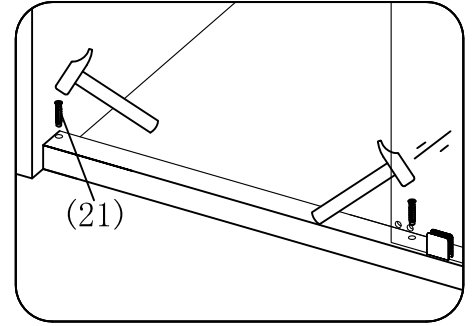
3. Mark with a pencil.



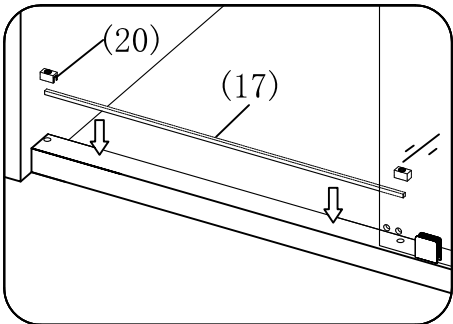
4.Remove the aluminum waterproof bar set(17)&(20)



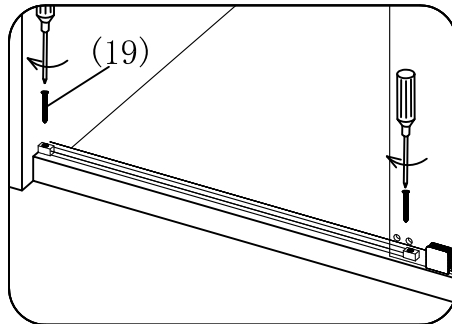
5. Drill the mark with a $\phi 6$ drill bit.



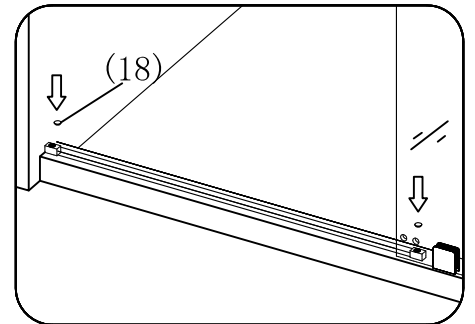
6. Drive Inflatable glue 5mm(21).



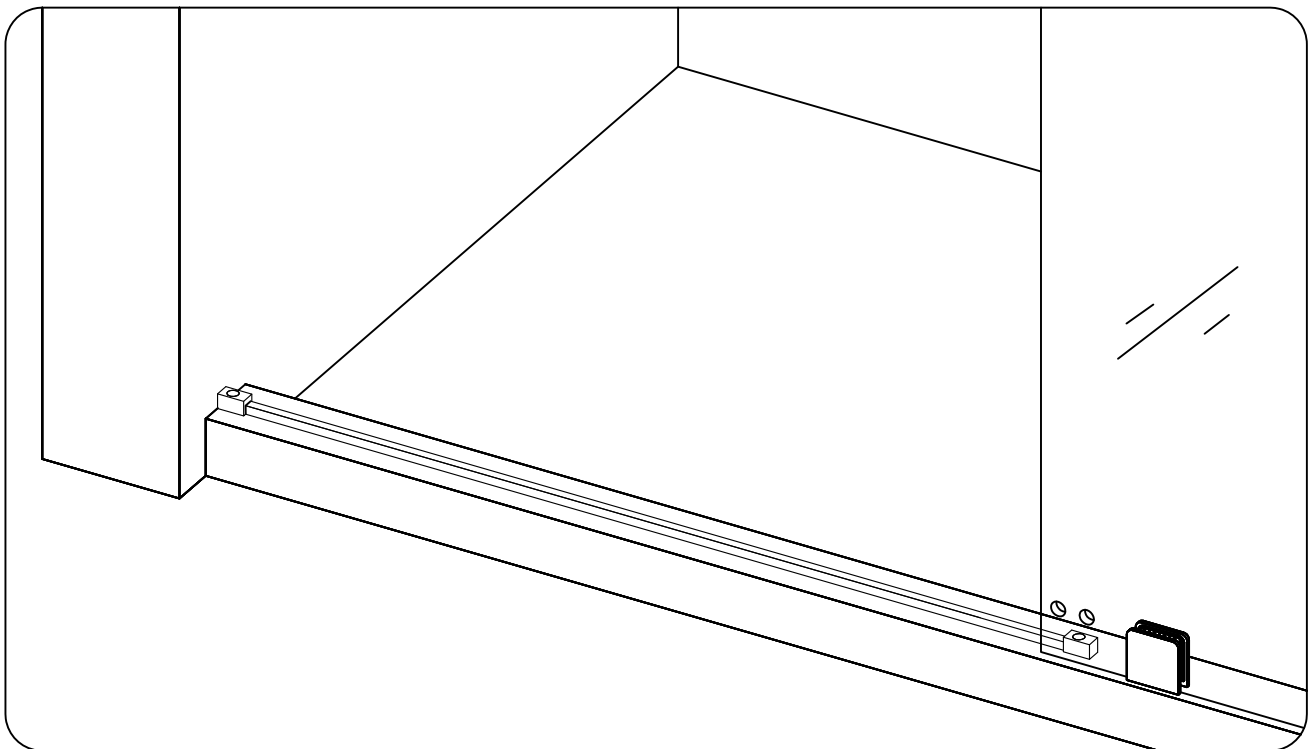
7.Put back the aluminum waterproof bar set(17)&(20) as photo.



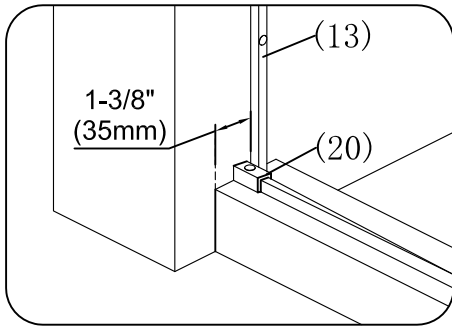
8.Lock with ST4x25 self-tapping screw(19).



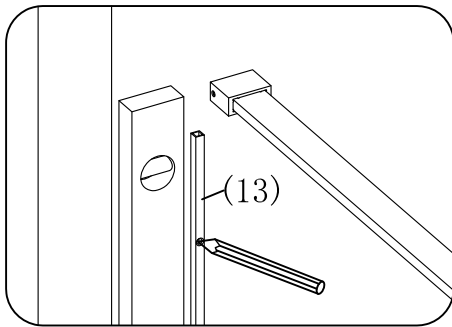
9.Close the Decorative cover(18).



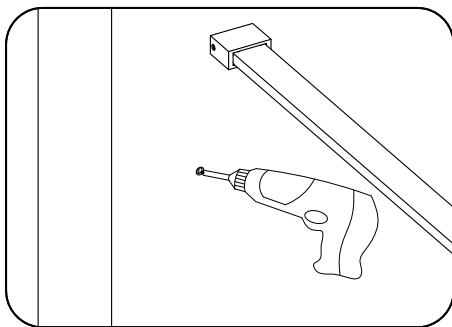
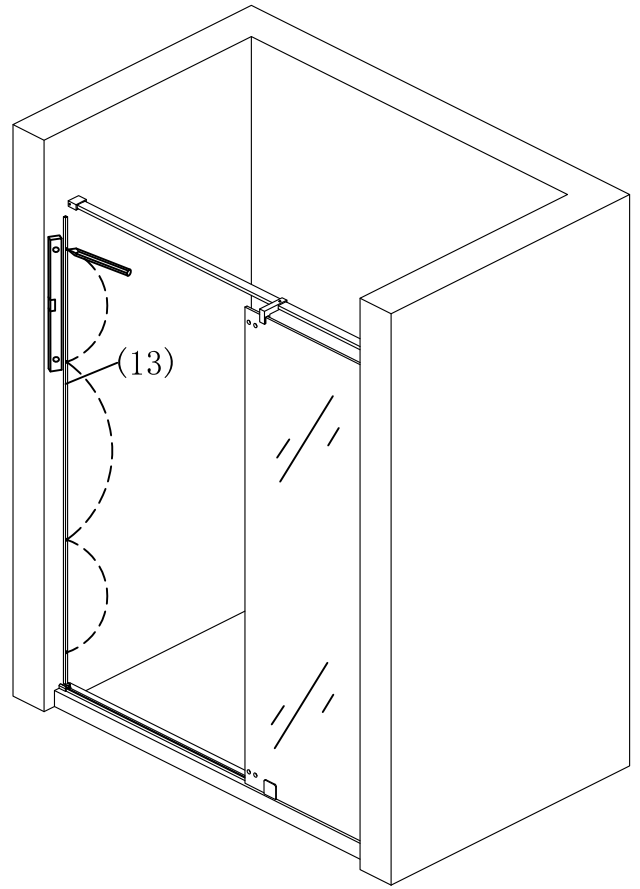
⑤ Install the Square tube.



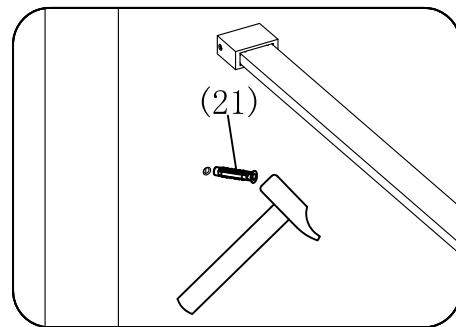
5.1 Put the Square tube(13) on the Water fixed part (20), Square tube(13) to the outer edge of the stone base 1-3/8"(35mm).



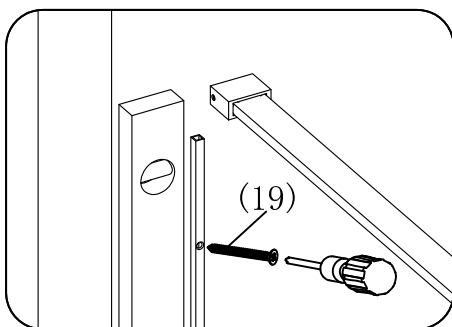
5.2 Adjust it to horizontal and vertical by the horizontal ruler.



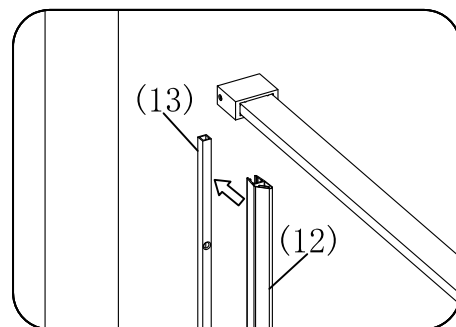
5.3 Drill the mark with a $\phi 6$ drill bit.



5.4 Drive Inflatable glue 5mm(21).



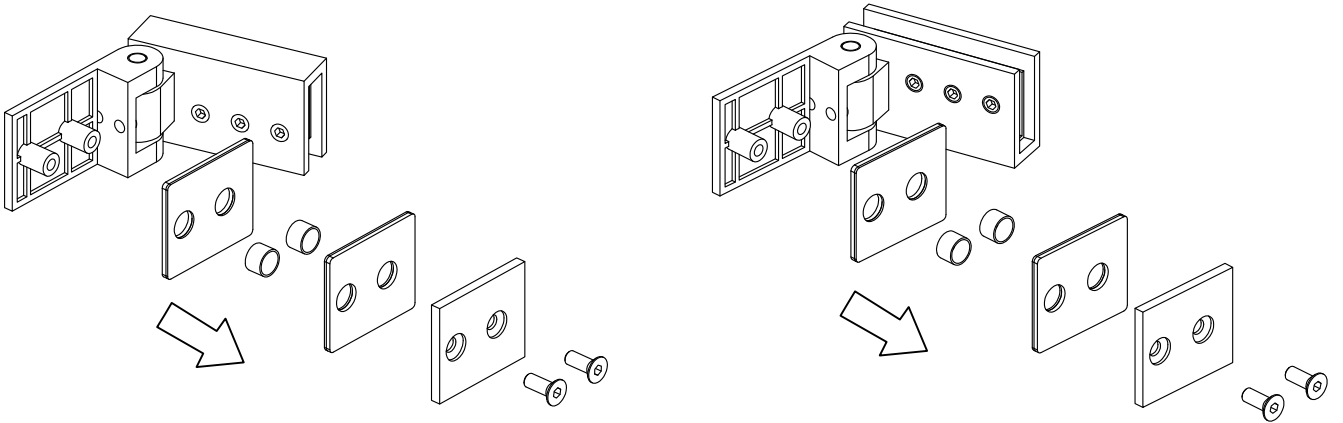
5.5 Lock with ST4x25 self-tapping screw(19).



5.6 Attach the Magnetic stripe(12) to the Square tube(13).

⑥ Install the Movable glass.

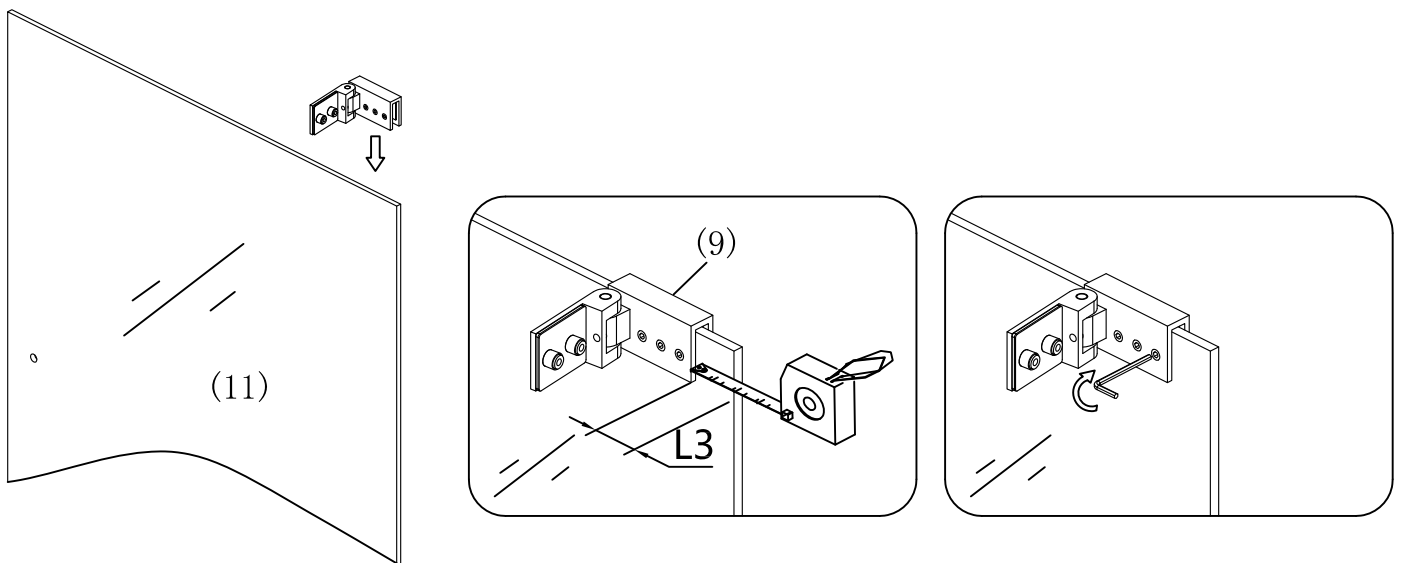
6.1 Disassemble the Door hinge.



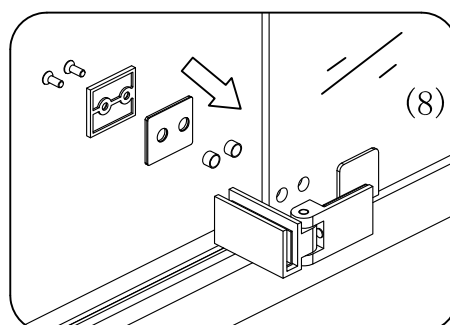
1 Disassemble the Door hinge A(9).

2 Disassemble the Door hinge B(10).

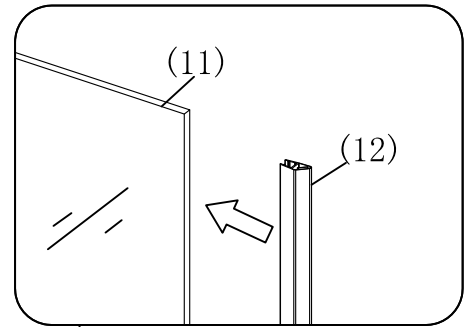
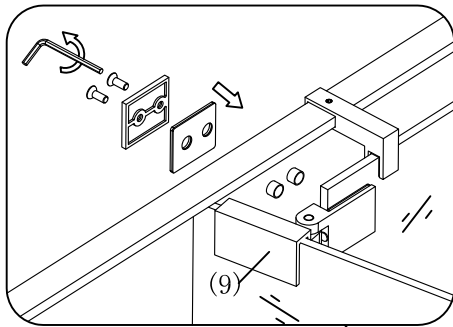
6.2 Attach the Door hinge A (9) to the Movable glass(11).



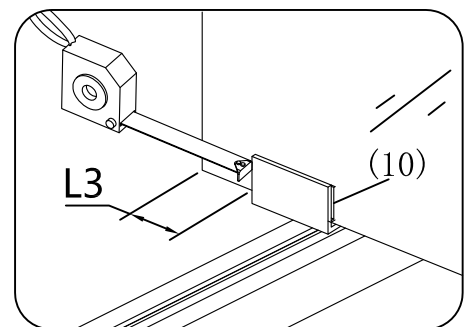
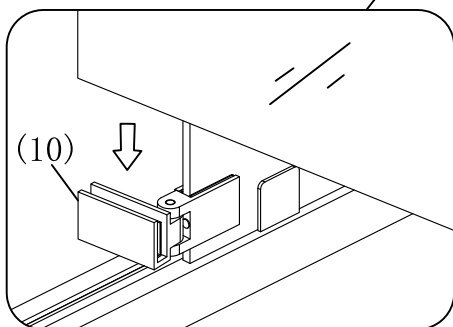
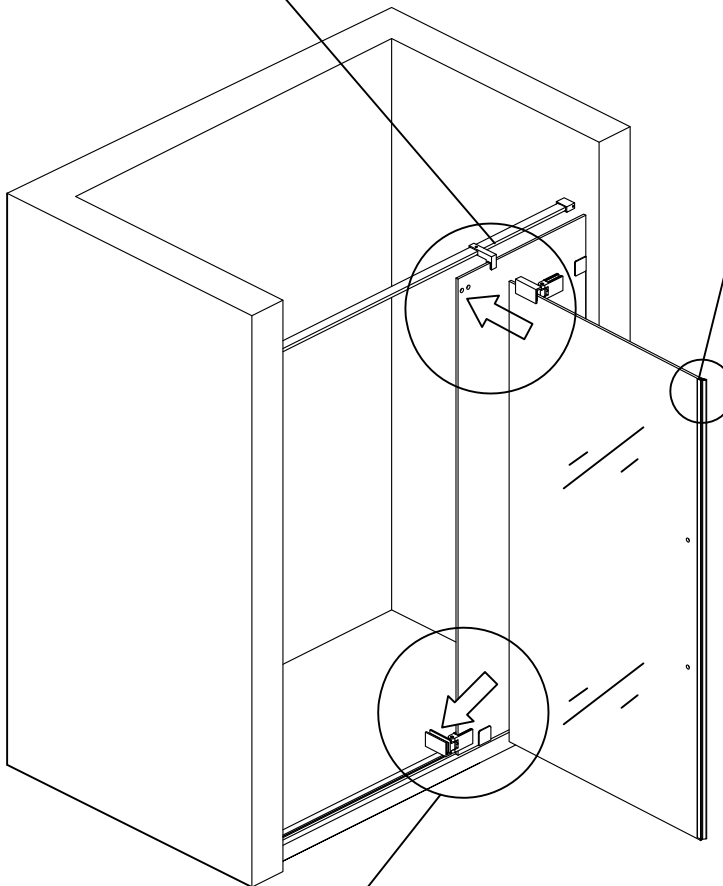
6.3 Attach the Door hinge B (10) to the Fixing glass(8).



6.4 Attach the Movable glass(11) to the Fixing glass(8).

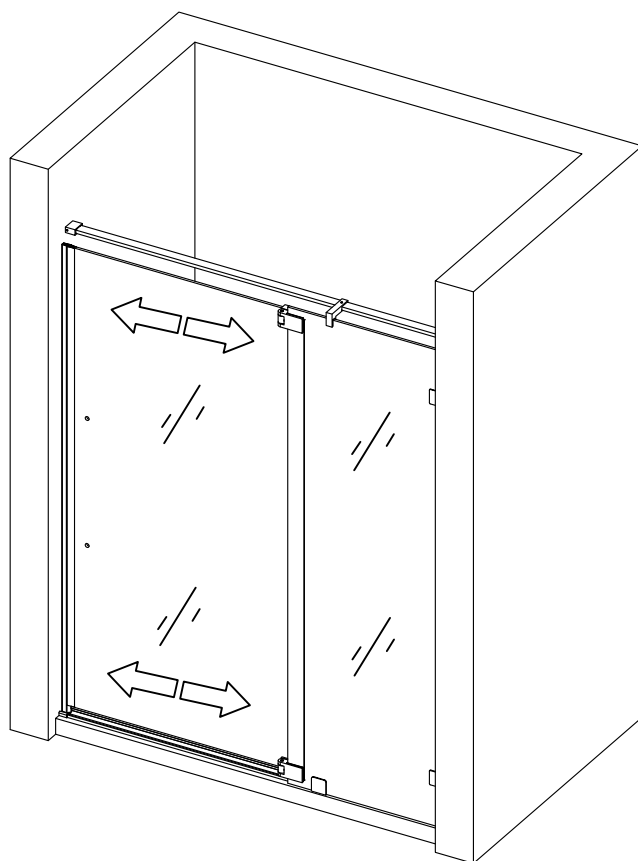
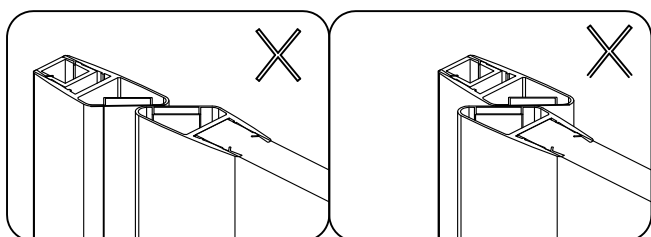
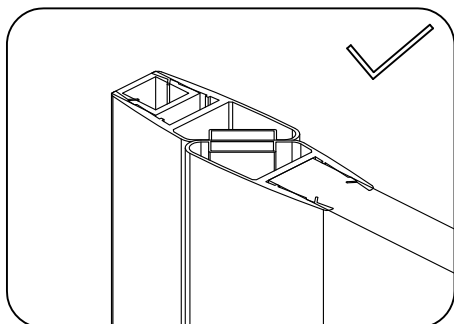


Attach the Magnetic stripe(12) to the Movable glass(11).

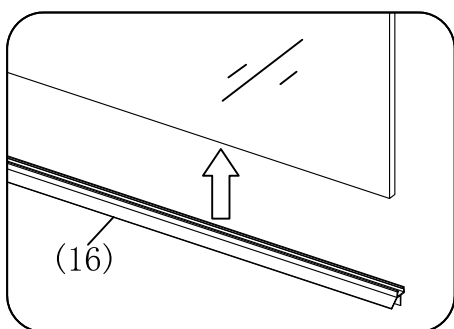


Make sure the measurement L3 same as step 6.2.

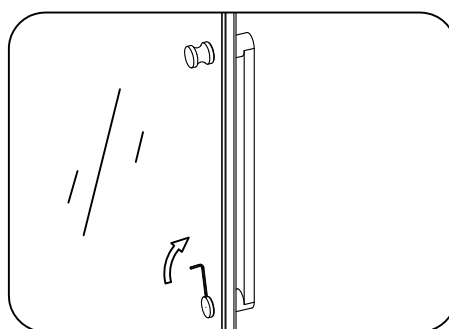
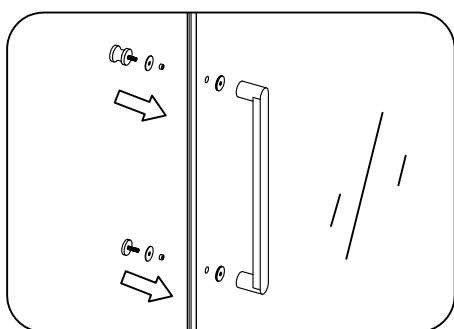
6.5 Adjust the movable glass, make sure the magnetic stripe adsorbed tightly.



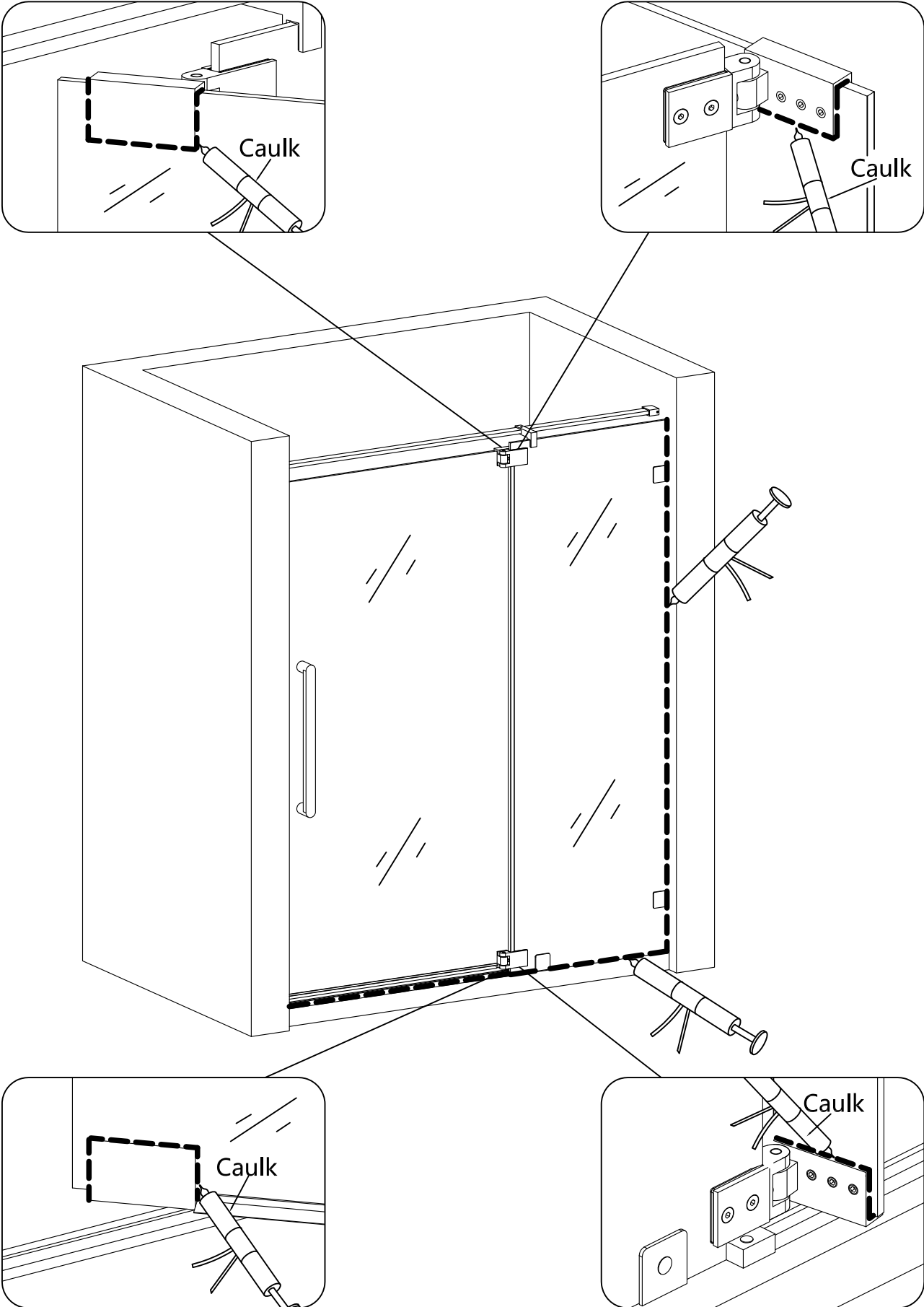
6.6 Attach the Rubber waterproof bar(16) to the Movable glass(11).



6.7 Attach the Handle(15) to the Movable glass(11).



7. The shower door can be used in 24 hours after the glass glue is sealed around the shower door.



Maintenance and repair

- 1、 Don't let children, older people or activity restricted people go into the shower room alone.
- 2、 Don't climb, lean against or hang something heavy on the shower room.
- 3、 Don't be rubbed or knocked by hard object, in case to cause broken.
- 4、 Don't make the burning cigarette near the shower room, and don't leave cigarette ash in the shower room. The burning flame will destroy the spray and glass, so it must keep away from fire.
- 5、 Before entering the shower room, pay attention the height of the falling in order to avoid getting tripped.
- 6、 Before entering the shower room, don't put the hand into the crack of the door, in case any injured occur.
- 7、 The soap suds in the shower room will make people slip very easily, Be careful not to slip.
- 8、 The shower room should be kept in good ventilation, in case to avoid leaving the moisture long stay in the shower room, and cause mildew and bad smell.
- 9、 Regularly clean the sliding rail, sliding wheel and sliding lump, add lubricant (lubricant oil or lubricant wax).
- 10、 Regularly adjust the screw of sliding wheel, sliding lump to make sure the effective load bearing and good sliding position of the moving door.
- 11、 Please use neutral liquid detergent and smooth fabric to clean the shower door. Don't use any acidity, alkaline detergent, thinner, alcohol, acetone and any strong detergent.
- 12、 When dirty water appear on the water retaining stone, you can wipe it with a little toothpaste by wet fabric.
- 13、 It will be leaking if the glass seal is dropped. So please make it up when dropped.

