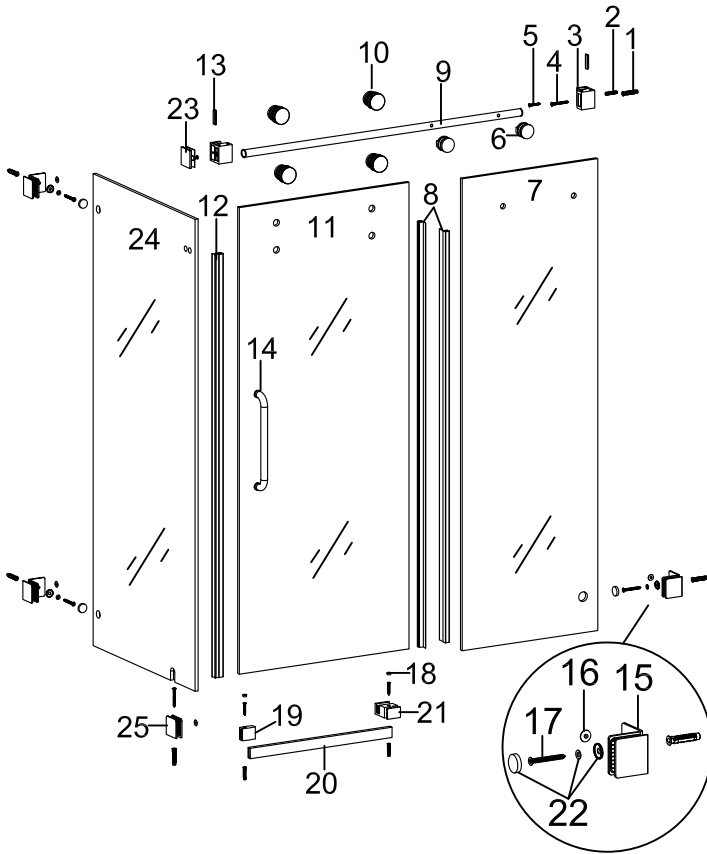


INSTALLATION MANUAL

MODELS: LY7501-SP



NO.	Thumbnail	QTY	Description
1		5	Inflatable glue 8mm
2		3	Inflatable glue 6mm
3		2	Tube
4		1	ST6x50 self-tapping screw
5		3	ST4x25 self-tapping screw
6		2	Pipe clamp
7		1	Fixing glass
8		2	Water bar
9		1	Steel tube
10		4	Eccentric wheel
11		1	Movable glass
12		1	Anti-collision rubber strip
13		2	Decorative cover
14		1	s/s handle
15		3	90 degree angle yard
16		4	Decorative cover
17		4	ST5x35 self-tapping screw
18		2	Decorative cover
19		1	Water fixed part
20		1	Waterproof bar
21		1	Sliding cover
22		3	Decorative cover
23		1	Tube connector
24		1	Big fixing glass
25		1	Fixing clamp

Tools you need



Cross-screwdriver



Hammer



Electric drill



Tape measure



Utility knife



Horizontal ruler



Pencil



Caulking gun



Chop saw

(With blade for cutting Stainless Steel)



Safety glasses



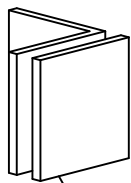
Please read this instructions before installation.

Precautions before installation.

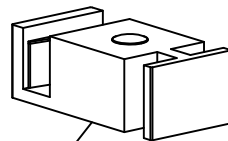
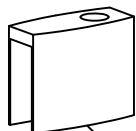
- The shower room should be installed by professionals according to instructions. Otherwise, the shower room may be unstable or fall down which will lead to product broken or people injured.
- Count the object quantity. The glasses must be moved by two people. Put a soft and non-slip object under the glass and stand the glass against a wall smoothly. It will make the glass broken if it is placed in horizontal position. Pay attention to avoid hitting the four corners of the glass.
- Don't strongly knock the glass to avoid being broken.
- Before install the shower room, read the instructions carefully and know well about the tooling and installation sequence.
- It can be used and clean after 24 hour installation.



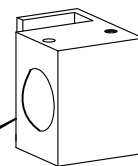
90 degree angle yard X 1



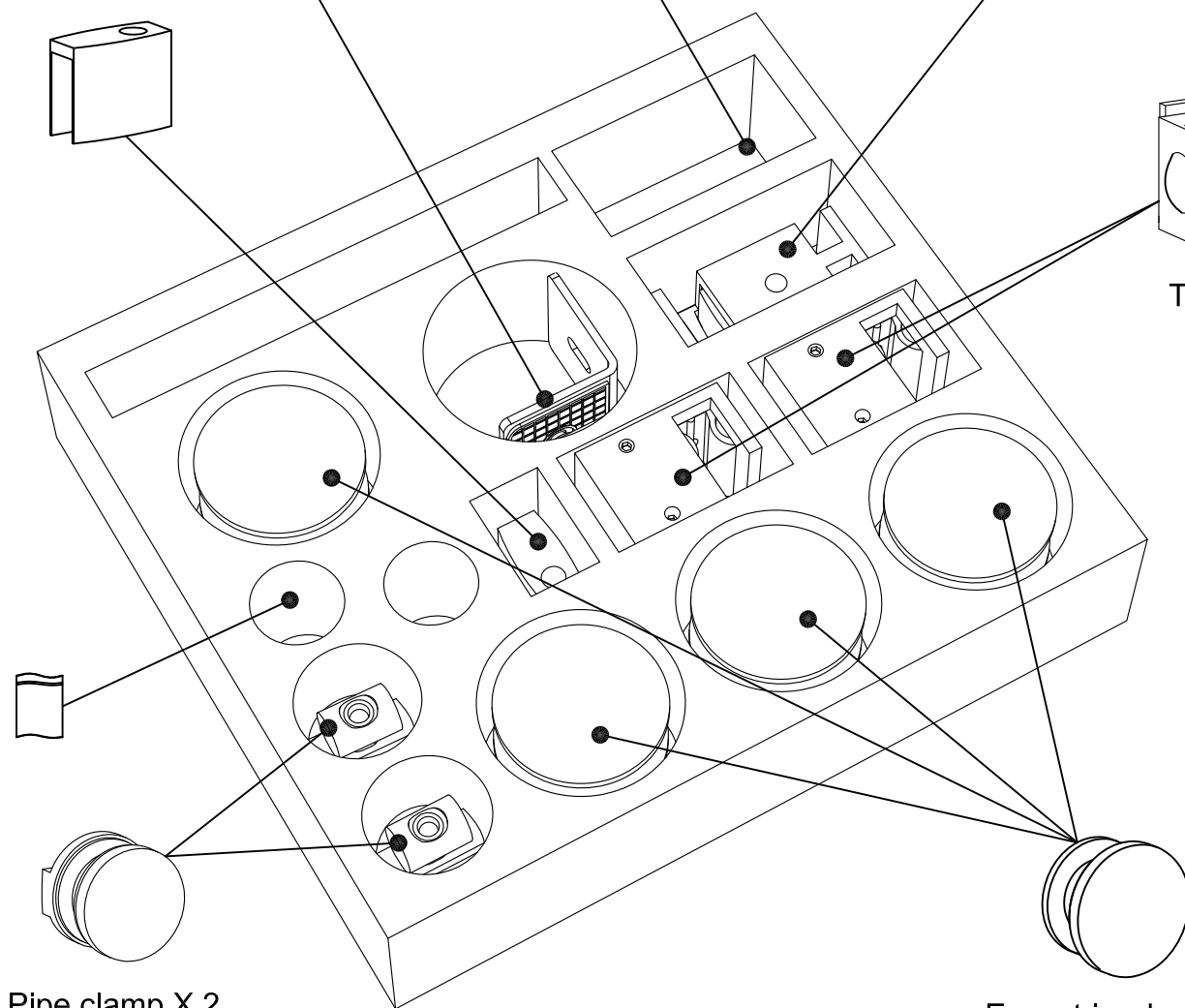
Water fixed part X 1



Sliding cover X 1



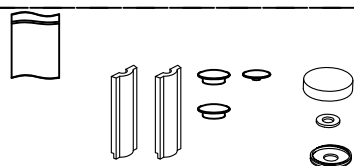
Tube X 2



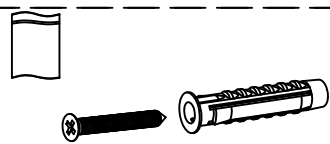
Pipe clamp X 2

Eccentric wheel X 4

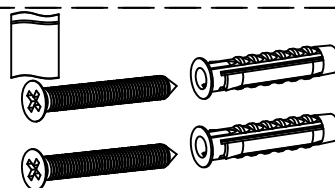
※ The following accessories are packed separately into PE bags.



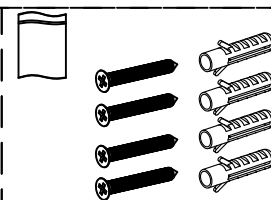
Allen Wrench 2.5mm
(1pc)



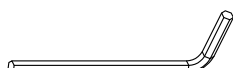
Allen Wrench 3mm
(1pc)



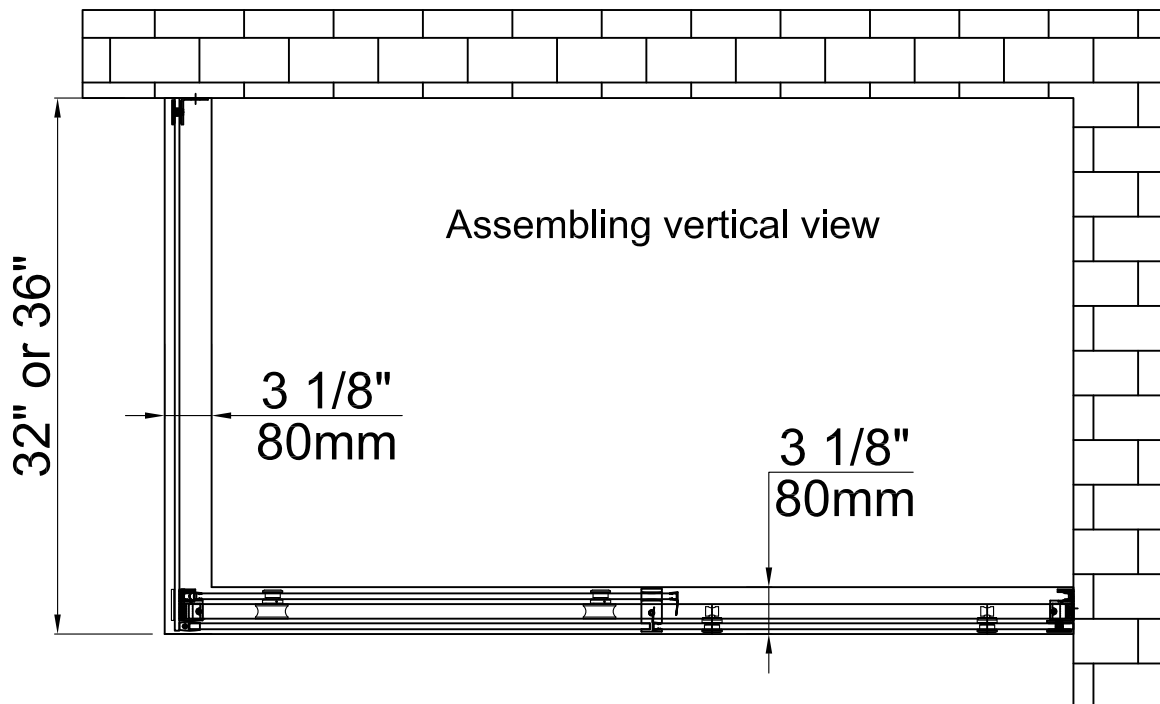
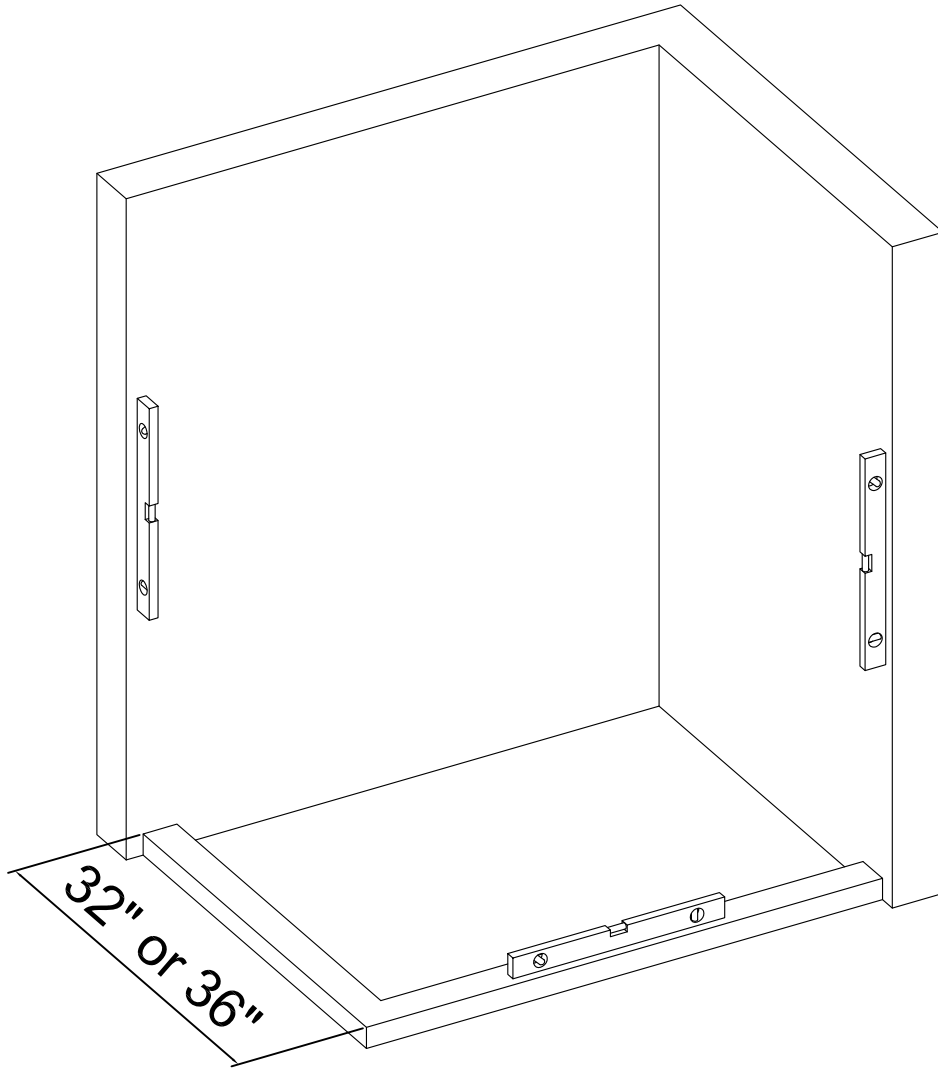
Allen Wrench 4mm
(1pc)



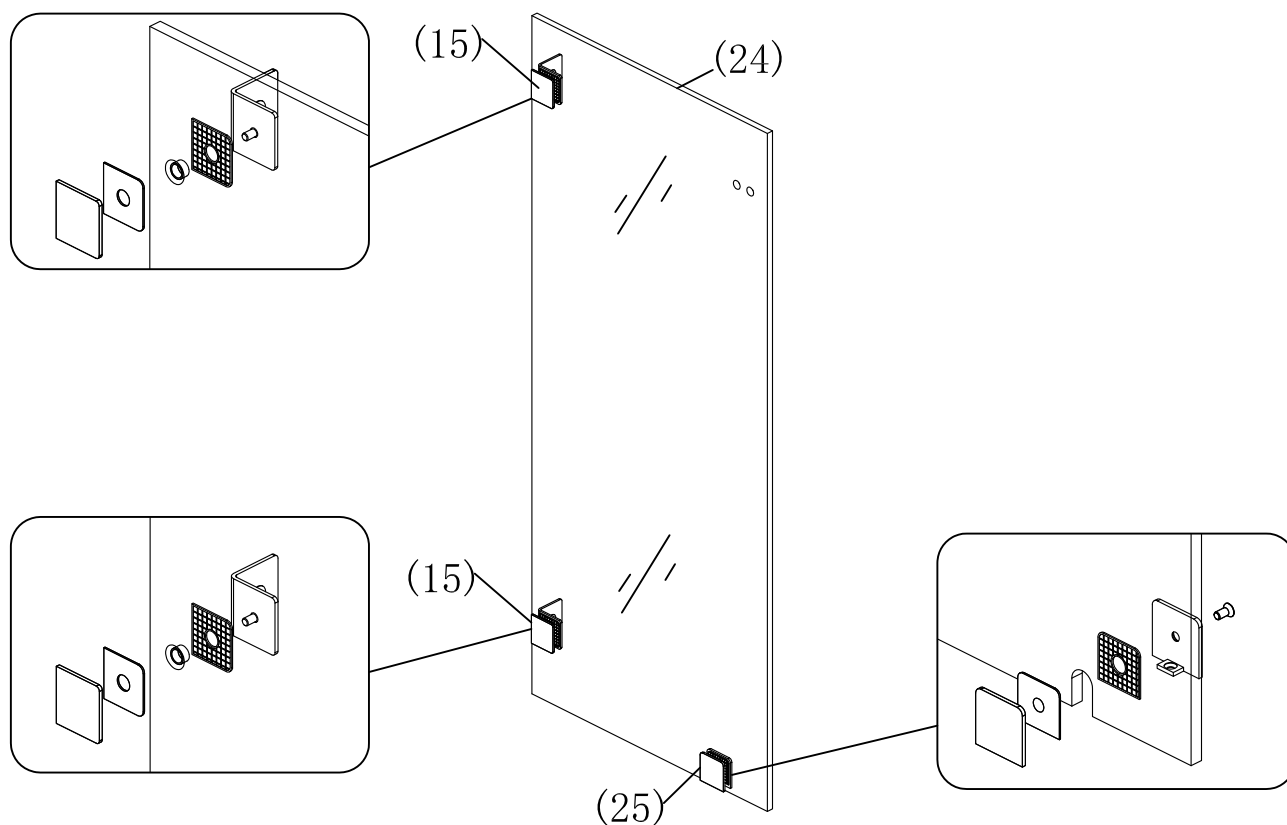
Allen Wrench 6mm
(1pc)



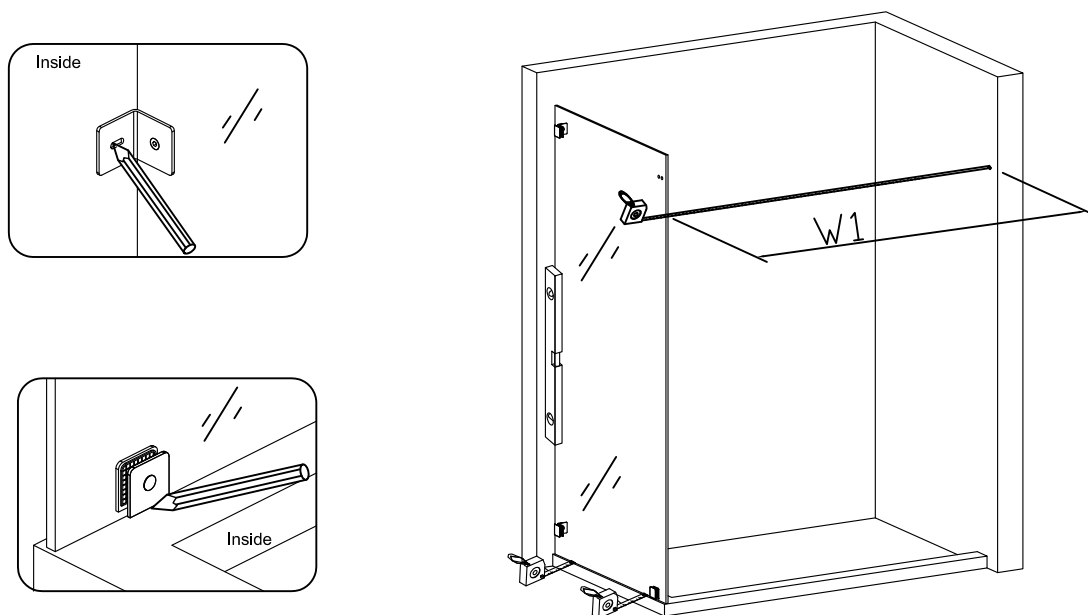
1.1 Use horizontal ruler to measure whether the wall is vertical and the stone base is level, adjust and make sure the installation position is level.



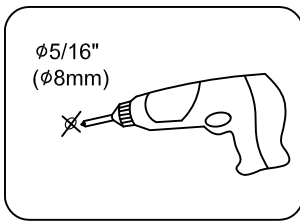
2.1 Install the accessories onto the Big fixing glass(24).



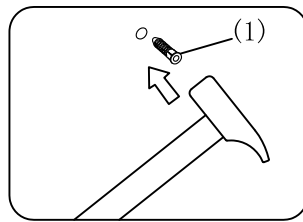
2.2 Determine the installation position of the Big fixing glass(24) and mark the drilling position with a pencil.



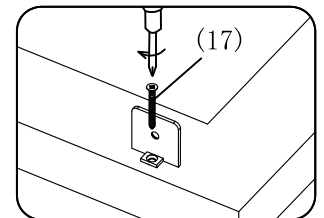
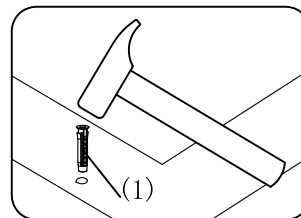
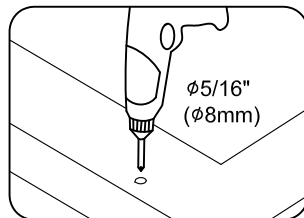
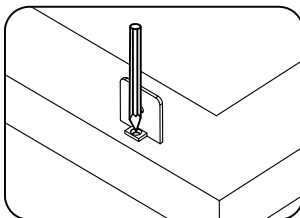
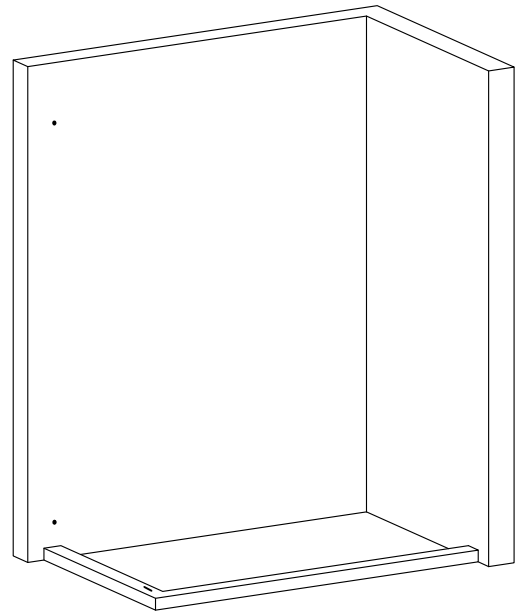
3.1 Perform installation operation on marked.



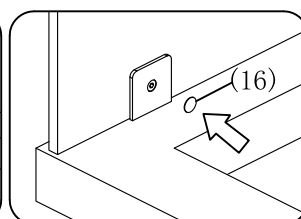
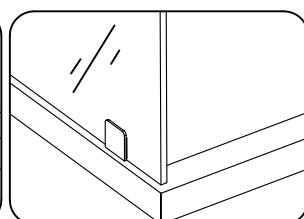
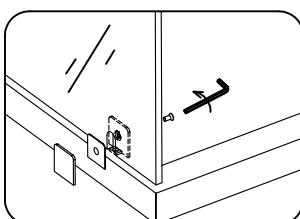
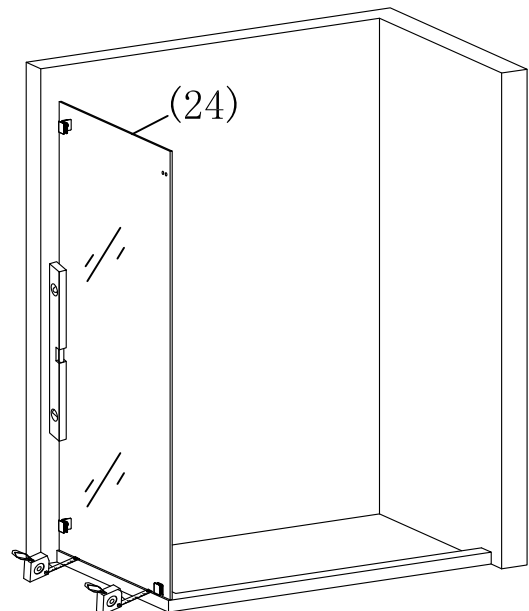
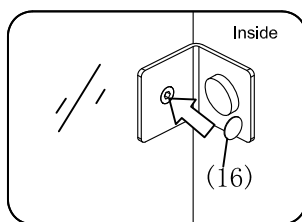
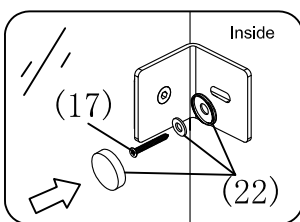
Drill holes at the marked points with a $\phi 8$ drill .



Drive a Inflatable glue 8mm(1).

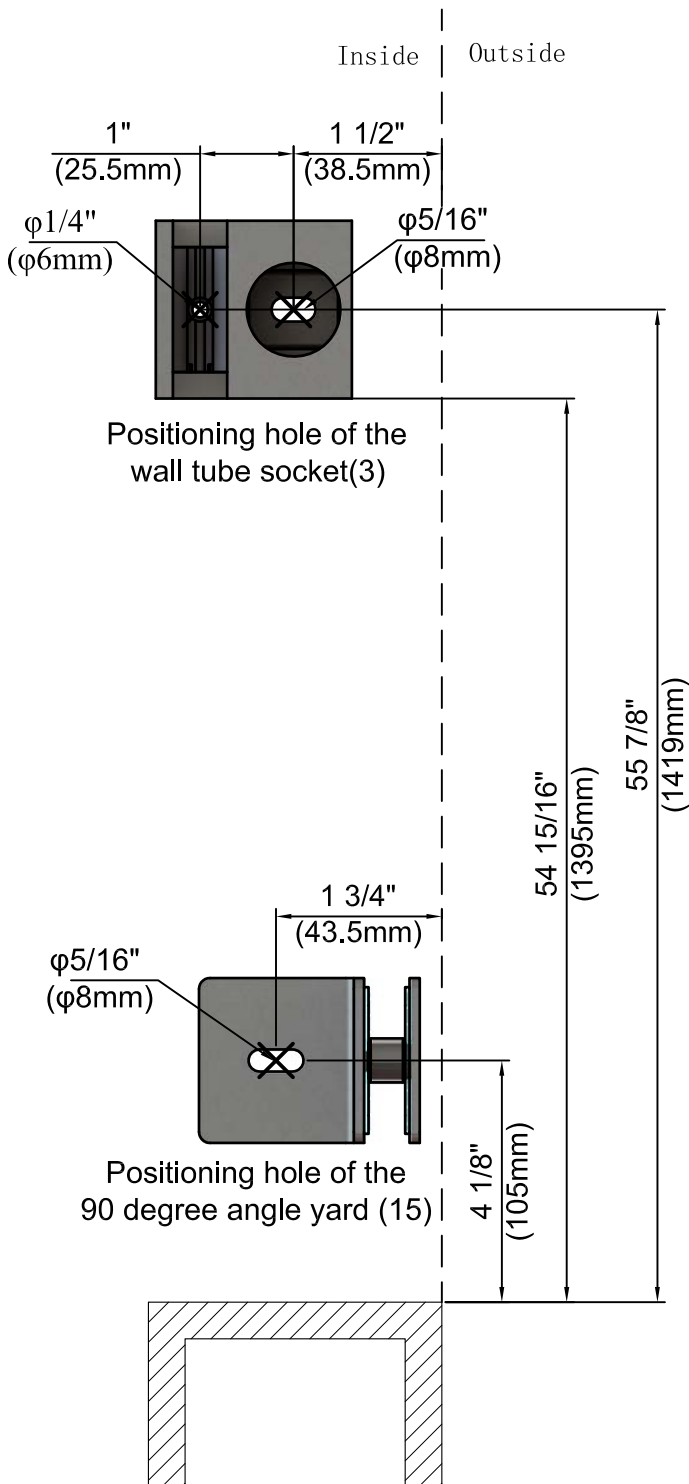


3.2 Install the Big fixing glass(24).



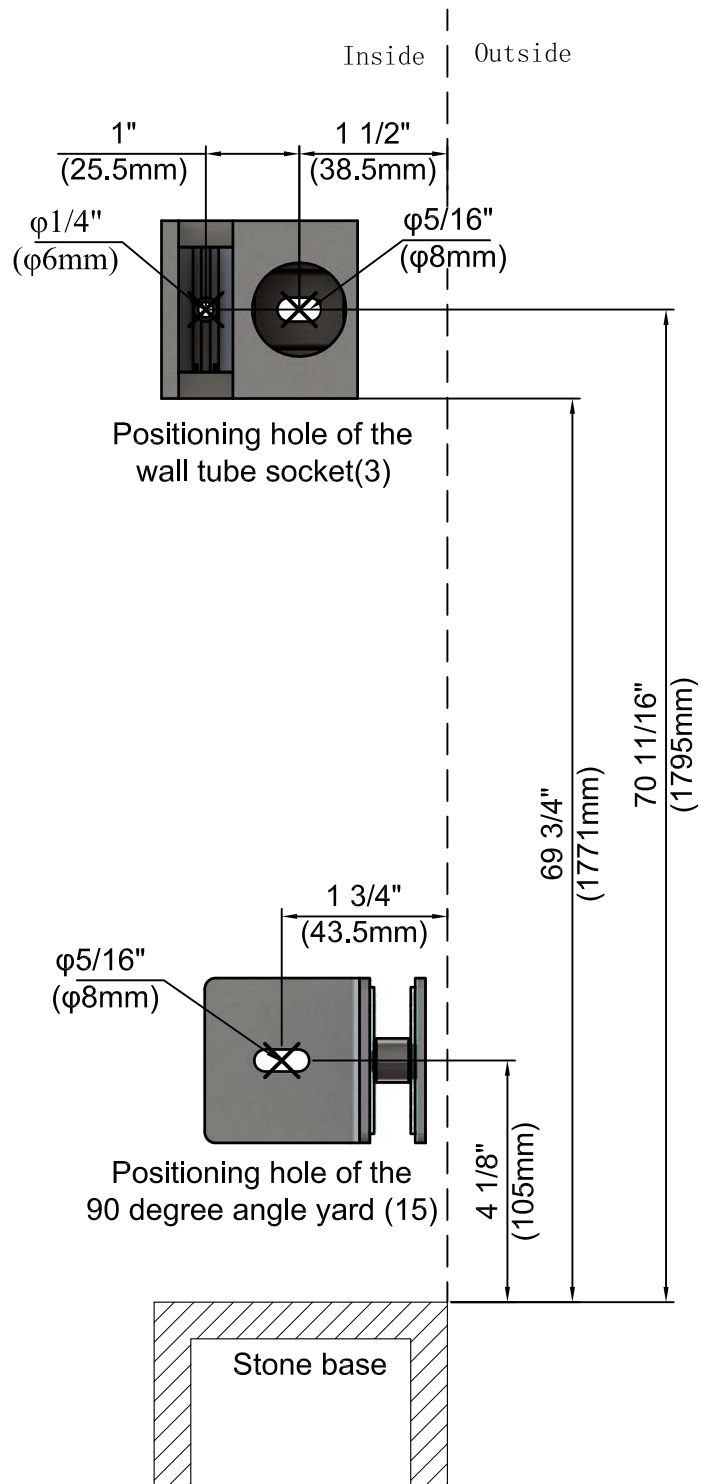
Punch auxiliary drawing.

Wall



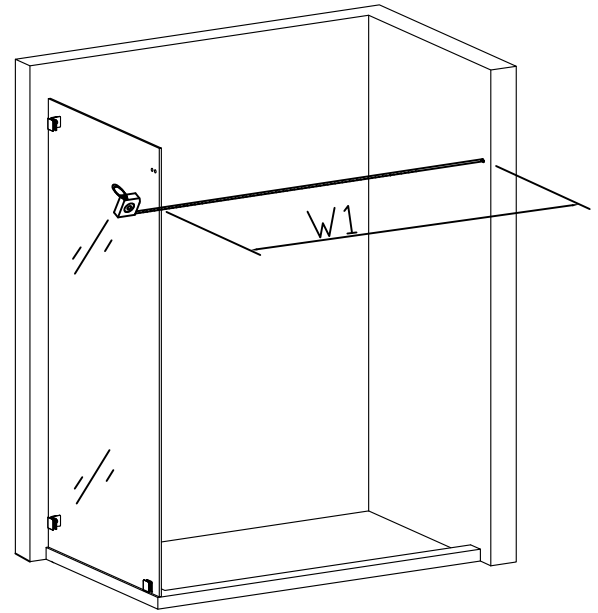
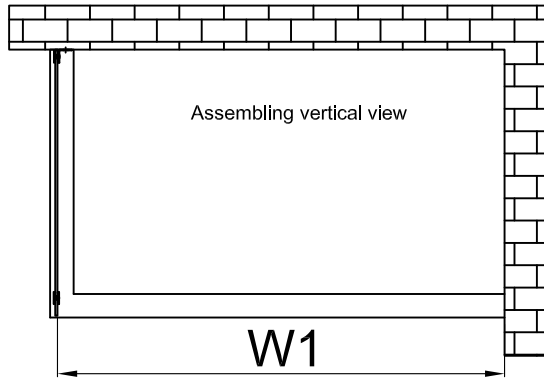
This drawing only applies to products with a height of : 60" (1524mm).
 (The dimension of this drawing is for reference only. Please follow the installation instructions.)

Wall

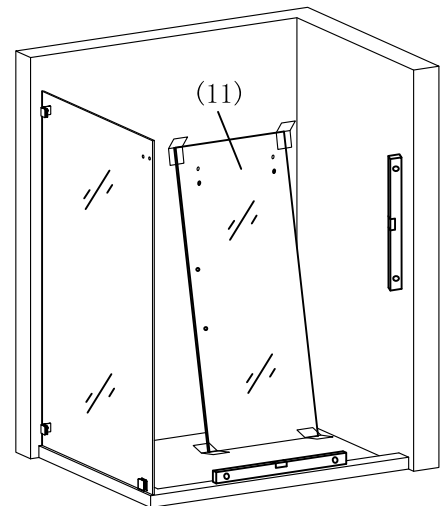


This drawing only applies to products with a height of : 75" (1900mm).
 (The dimension of this drawing is for reference only. Please follow the installation instructions.)

4.1 Measure the dimension of the installation position W1.

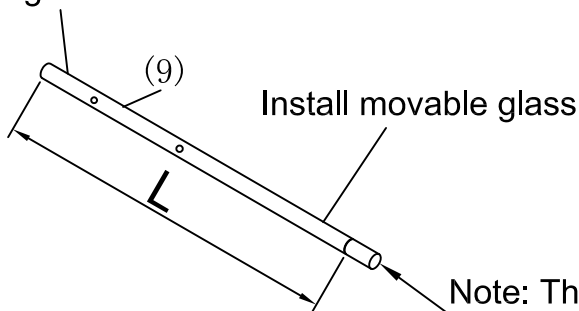


4.2 Use horizontal ruler to measure whether the wall is vertical and the stone base is level, adjust and make sure the installation position is level.
 (Note: Before installing the shower door, it is necessary to put the Movable glass(11) into the shower room to prevent the movable glass from being able to be put in to the shower room after the fixed glass is installed in the later stage.)

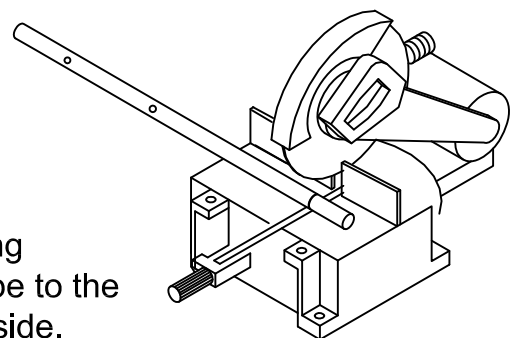


4.3 Cut the Steel tube(9) according to the measured wide.
 The length of the round tube is : $L = W1 - 1 \frac{7}{16}''(37\text{mm})$

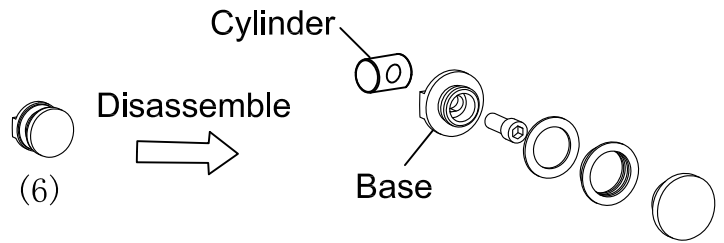
Install fixed glass



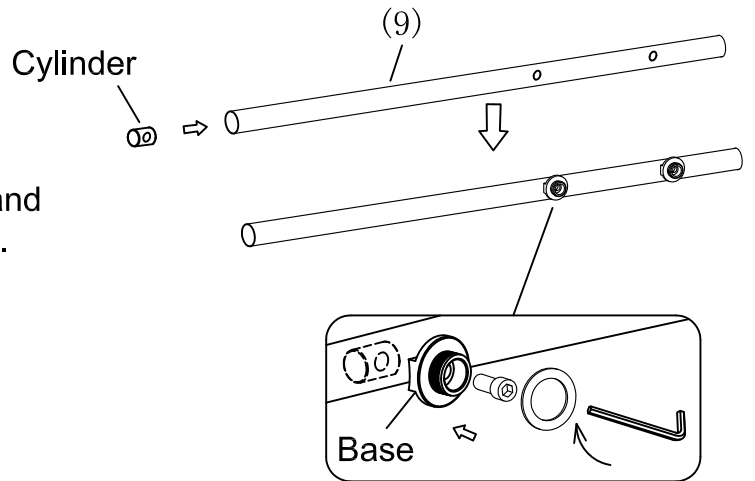
Note: The cutting direction must be to the movable glass side.



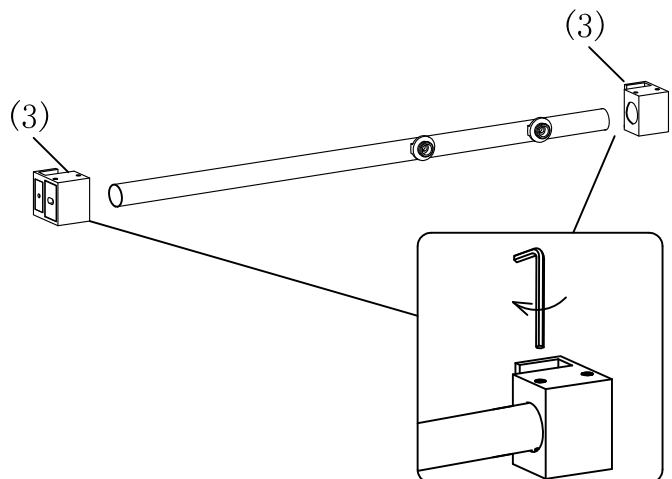
5.1 Disassemble the Pipe clamp(6).



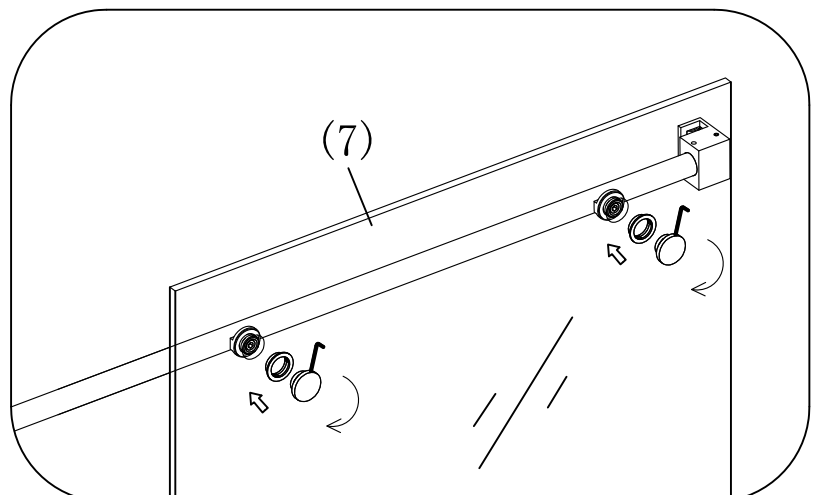
5.2 Insert the cylinder into the Steel tube(9) and assemble the Steel tube(9) with the base.



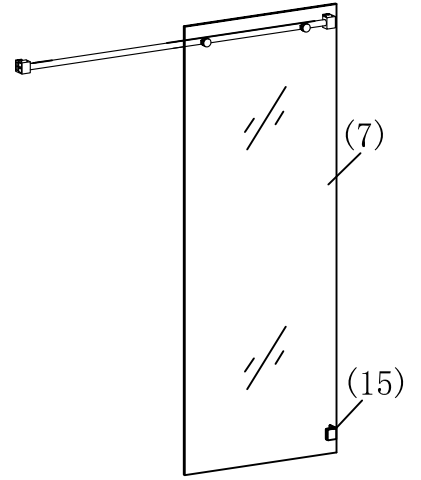
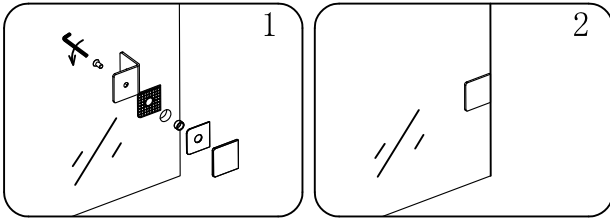
5.3 Assemble the Steel tube(9) with the Tube(3).



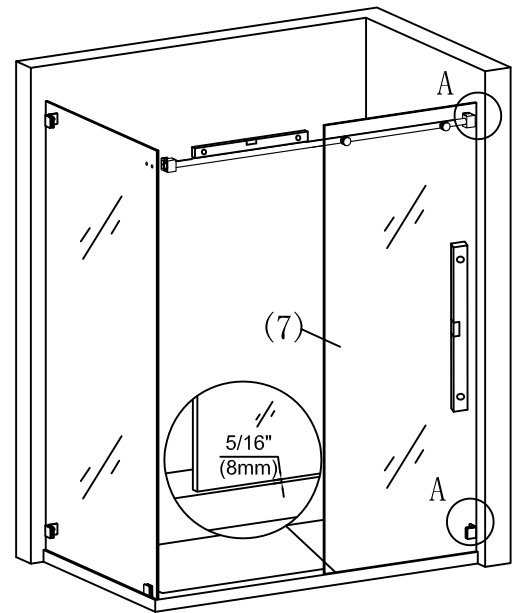
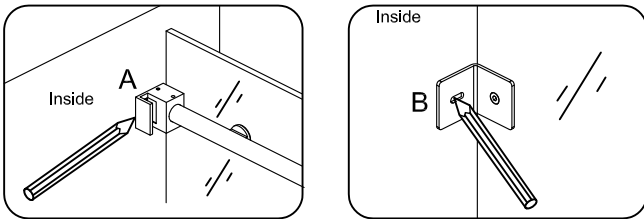
5.4 Attach the assembled round tube to the Fixed glass(7).



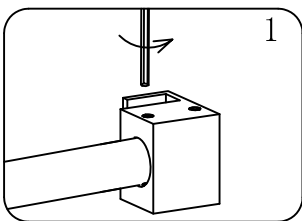
6.1 Install the 90 degree angle yard(15) to the Fixed glass(7).



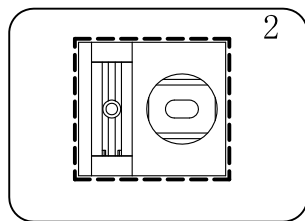
6.2 Put the Fixed glass(7) on the stone base, fixed the glass(7) to the outer edge of the stone base 5/16"(8mm) and adjust it to horizontal and vertical by the horizontal ruler. Mark the position A , B by a pencil mark, then remove the Fixed glass(7).



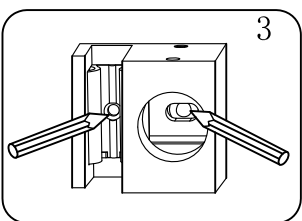
6.3 Mark the hole in position A.



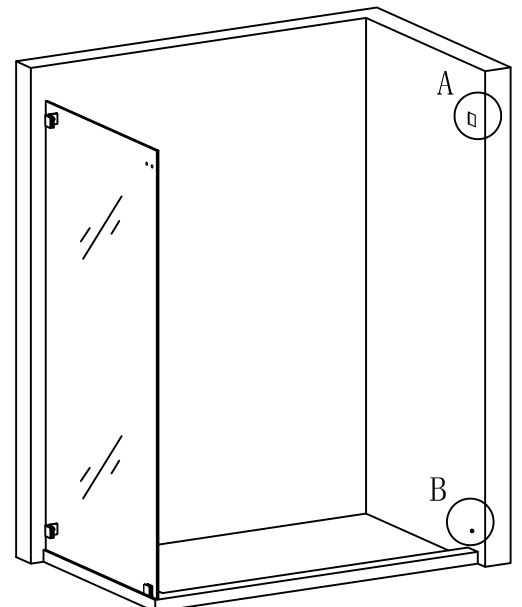
1. Removed the Tube(3).



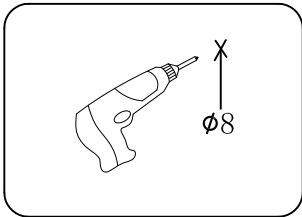
2. Align with mark A.



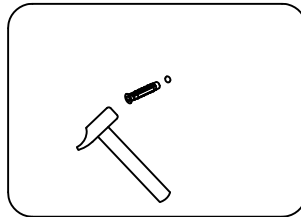
3. Mark the hole position.



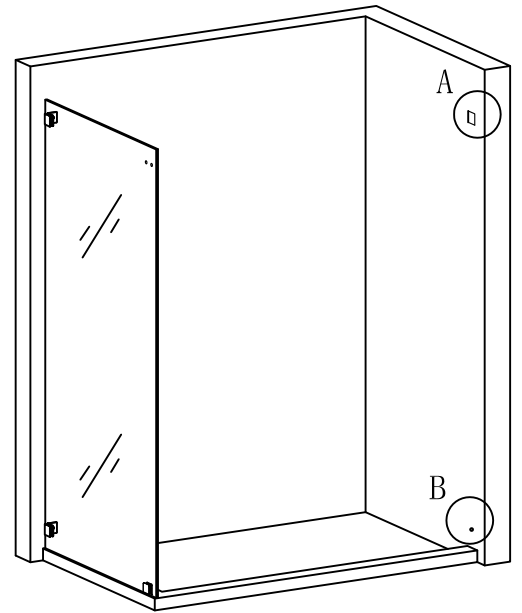
7.1 Perform installation operation on marked point B.



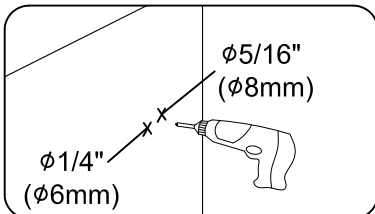
Drill holes at mark B with a $\phi 8$ drill bit.



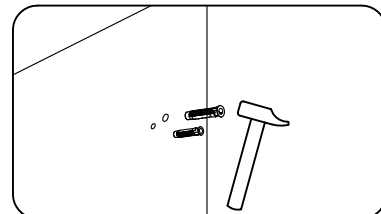
Drive a Inflatable glue 8mm(1).



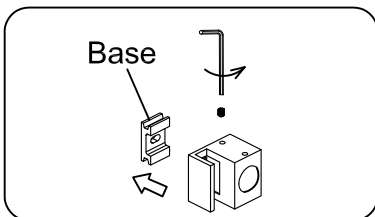
7.2 Install mark point A.



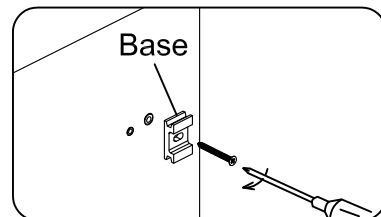
Use a $\phi 5/16"$ ($\phi 8\text{mm}$) drill bit and a $\phi 1/4"$ ($\phi 6\text{mm}$) drill bit to marked point A.



Drive a 8 Inflatable glue 8mm(1) and a Inflatable glue 6mm(2) respectively.

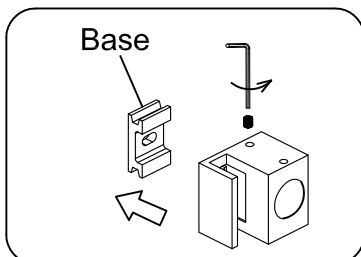


Disassemble the Tube(3).

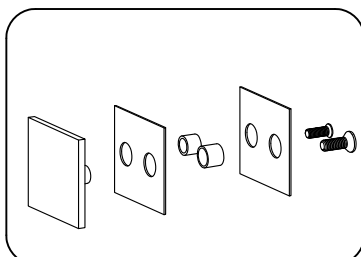


Lock the fixed base to the wall with ST5x45 self-tapping screw(4).

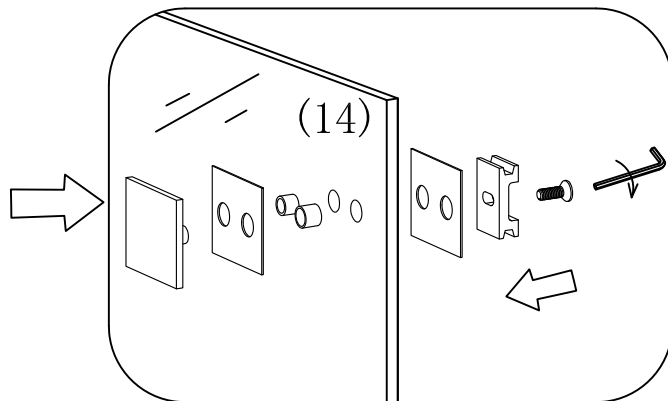
7.3 Assemble the Tube connector(23) with Big fixing glass(14).



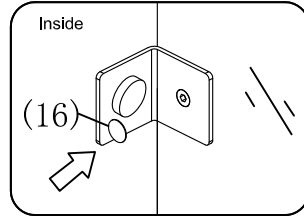
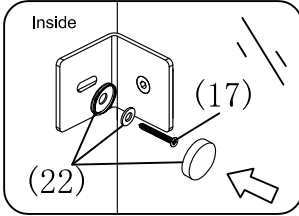
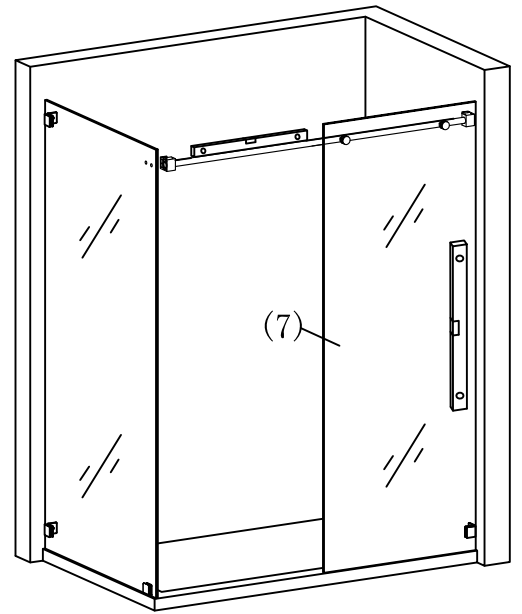
Disassemble the tube(3).



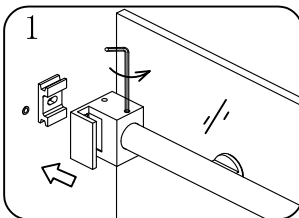
Disassemble the tube connector(23).



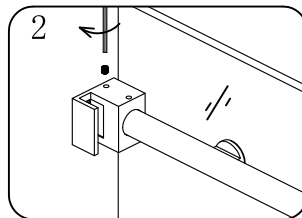
8.1 Place the Fixed glass(7) on the stone base, align the hole, and use horizontal ruler to make it vertical. Lock the 90 degree angle yard (15) with the ST5x35 self-tapping screw.



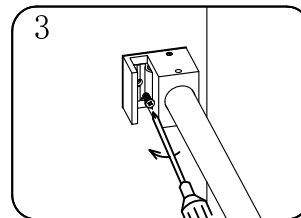
8.2 Fix the tube (3).



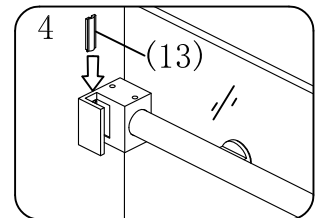
1. Loosen the top screw of the tube (3).



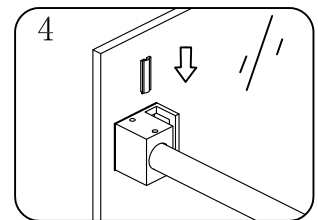
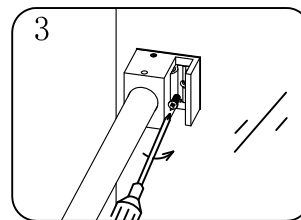
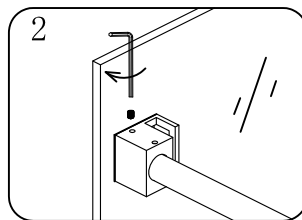
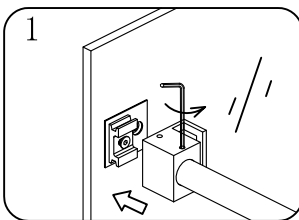
2. Adjust the tube (3) close to the wall and lock with the top screw.



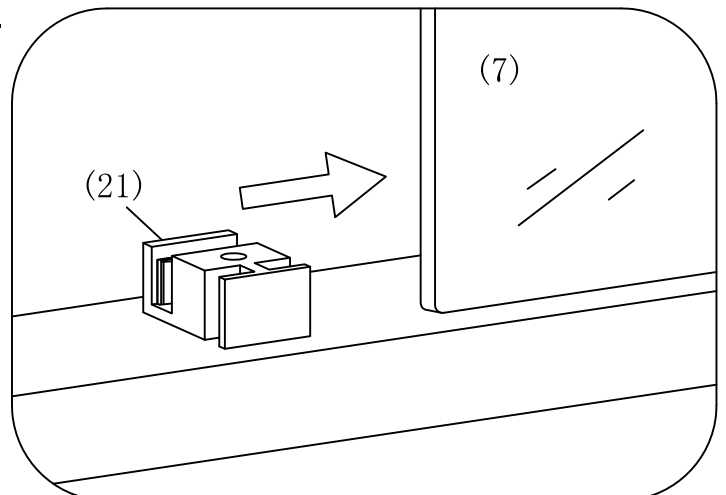
3. Use screw to lock it tight.



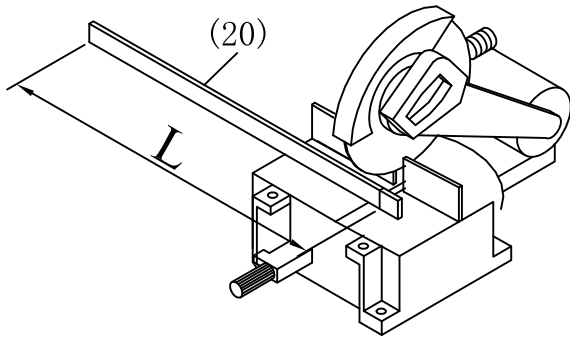
4. Insert the decorative cover(13).



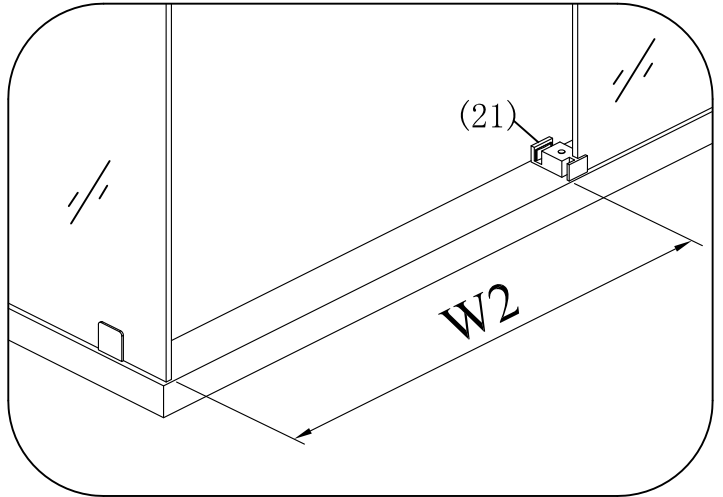
8.3 Clip the slider(21) into the Fixed glass(7).



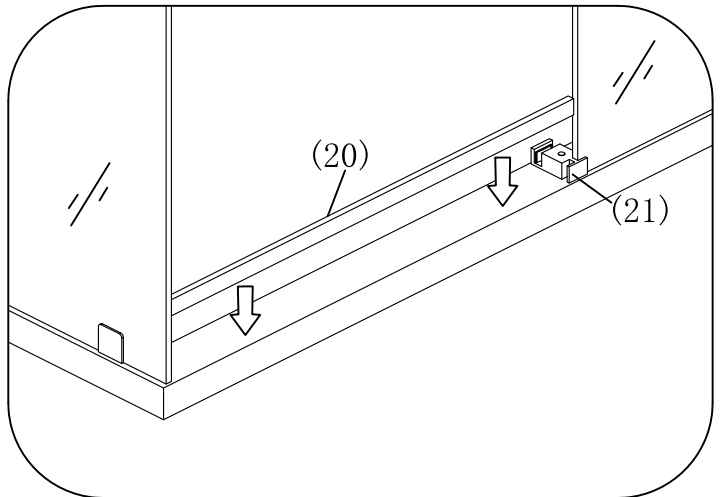
9.1 Measure the distance between the Sliding cover(21) and the wall, and cut the Waterproof bar(20) according to the distance (W2).



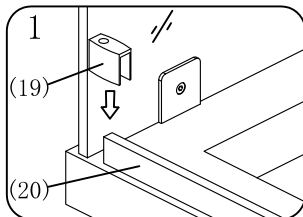
Lower water bar length $L = W2 - 3/8"$ (10mm).



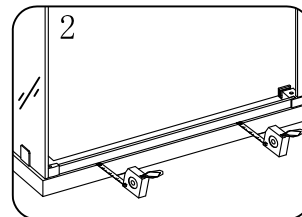
9.2 Slip the cutter Waterproof bar(20) to the Sliding cover(21).



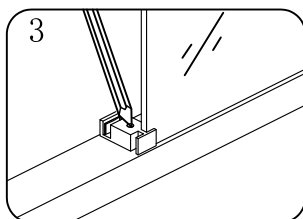
9.3 Mark where the Water fixed part(19) and Sliding cover(21) are punched.



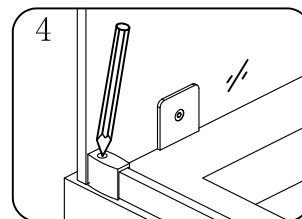
1.Put the Water fixed part(19) into the Waterproof bar(20).



2.Measure the distance by a tap.

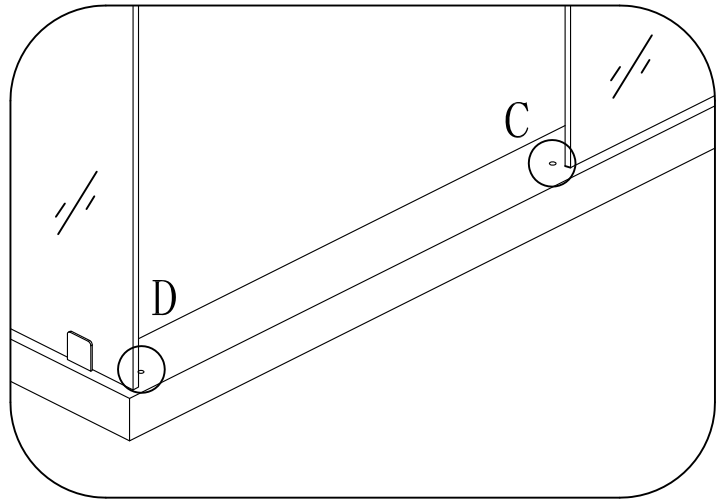


3.Mark with a pencil.

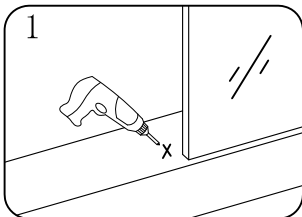


4.Mark with a pencil.

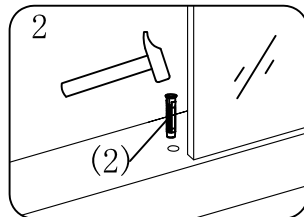
10.1 Drill holes at the marked points and drive the expansion pellets.



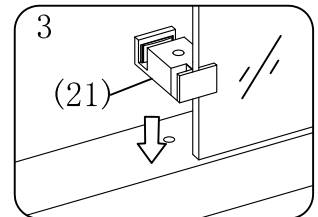
10.2 Install the Sliding cover(21) on marked point C.



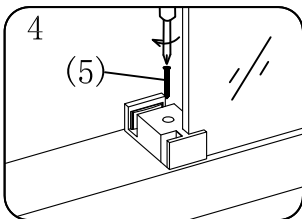
1. use a $\phi 1/4"$ ($\phi 6\text{mm}$) drill bit to drill a hole to marked point C.



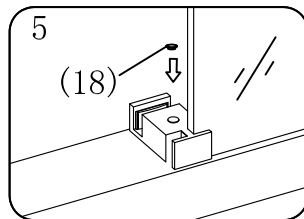
2. Drive Inflatable glue 6mm(2).



3. Insert Sliding cover(21) into the Fixed glass(7).

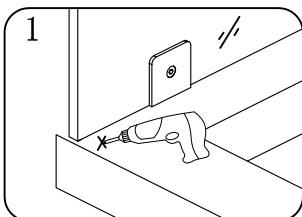


4. Lock with a ST4x25 self-tapping screw(5).

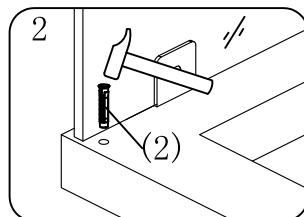


5. Close the Decorative cover(18).

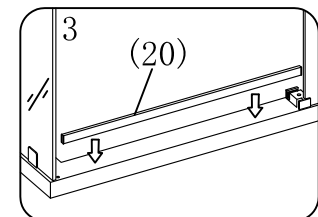
10.3 Install the Water fixed part(19) to the marked point D.



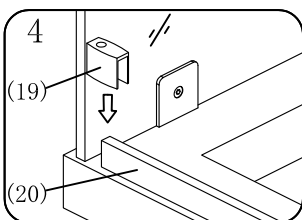
1. Drill holes at mark D with a $\phi 1/4"$ ($\phi 6\text{mm}$) drill bit.



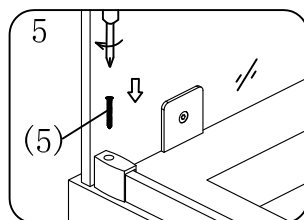
2. Drive Inflatable glue 6mm(2).



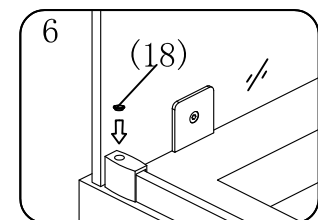
3. Clamp the Waterproof bar(20) into the Slider(21).



4. Slip the water fixed part (19) into the lower water bar(20).

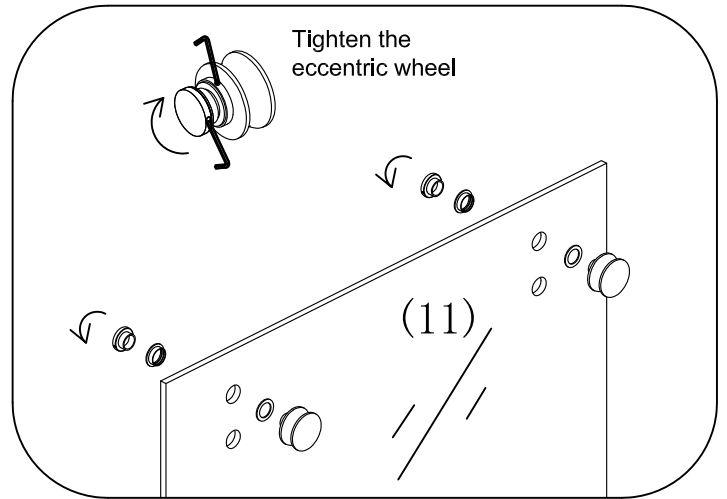
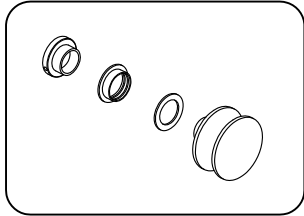


5. Lock with ST4x25 self-tapping screw.

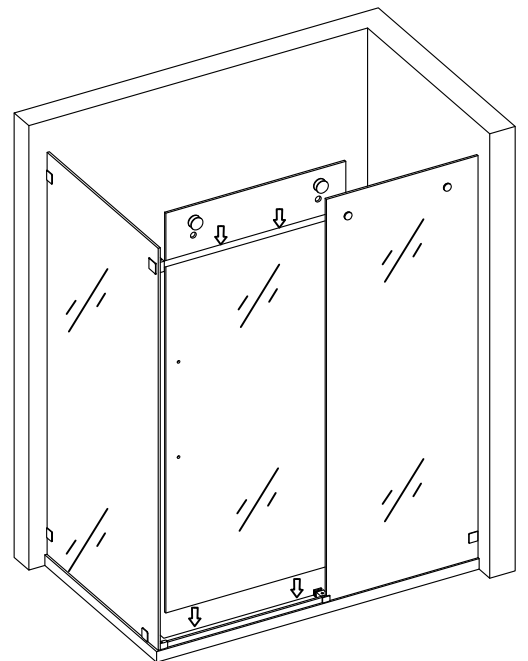
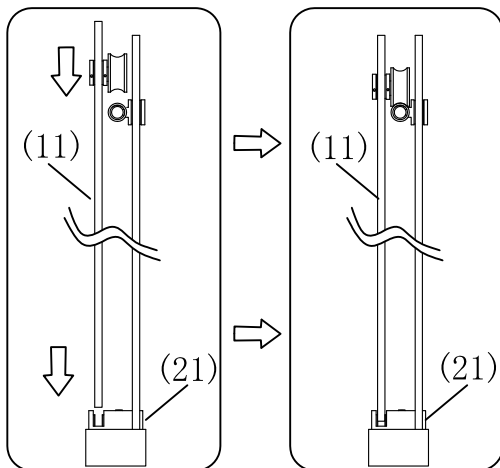


6. Close the decorative cover(18).

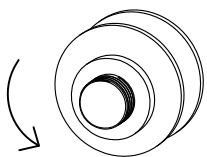
11.1 Disassemble the Eccentric wheel(10) and install it on the Movable glass(11).



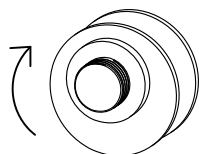
11.2 Attached the Movable glass(11) to the round tube with the low end of the glass stuck into the Sliding cover(21).



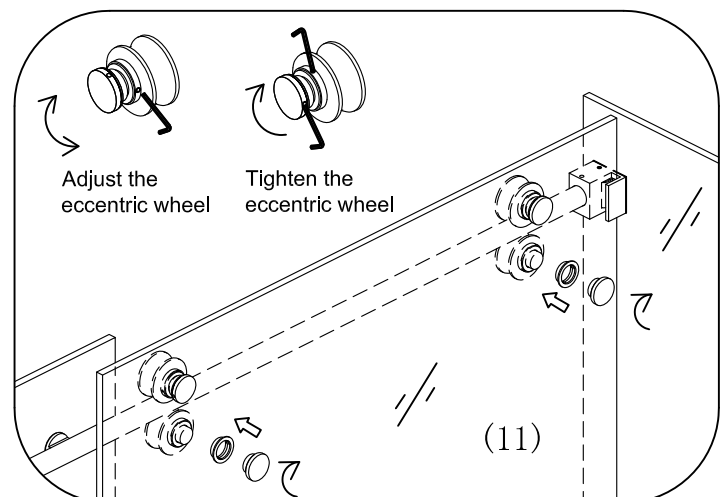
11.3 Install the Eccentric wheel(10) on the Movable glass(11) and adjust the height and vertical of the Movable glass(11) by adjusting the eccentric fastener of the eccentric wheel.



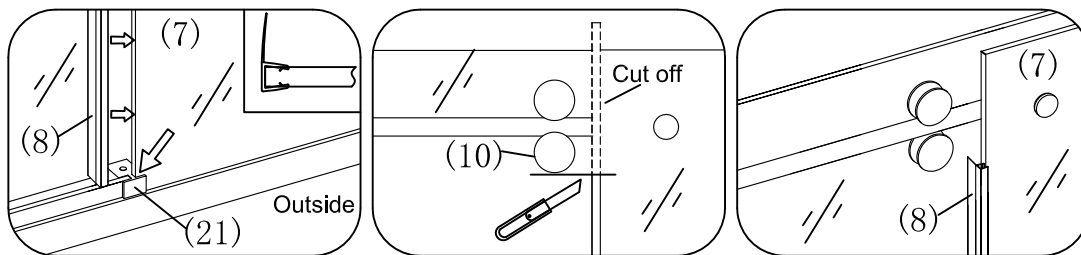
Adjust the glass downward



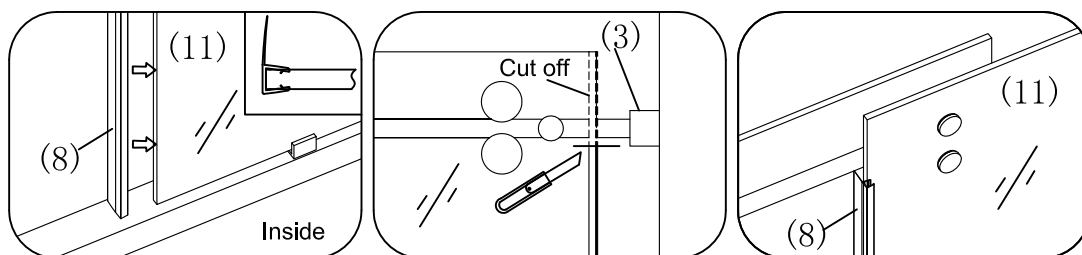
Adjust the glass upward



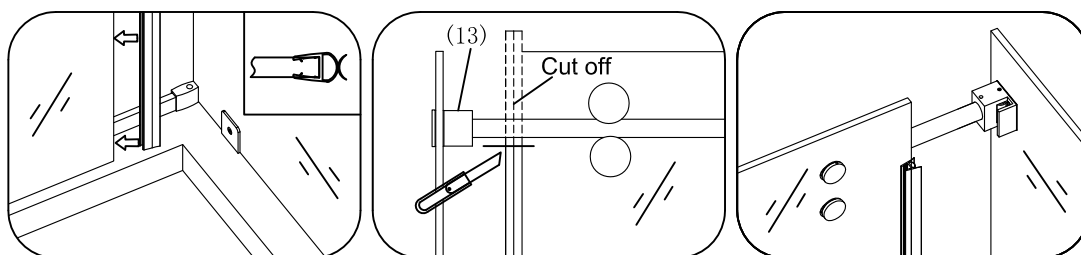
12.1 Install the bottom of the Water bar(8) to the Sliding cover(21) from the bottom up to the Fixed glass(7). Cut the top of the Water bar(8) to the same level of the bottom of the Eccentric wheel(10).



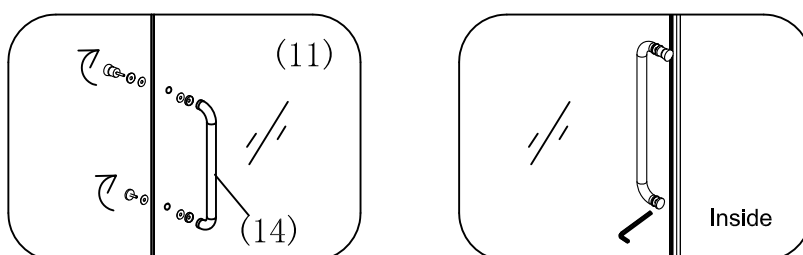
12.2 Align the bottom of the Water bar(8) to with the Movable glass(11), and install it from the bottom to the top. Cut the top of the Water bar(8) to the same level of the bottom of the Tube(3).



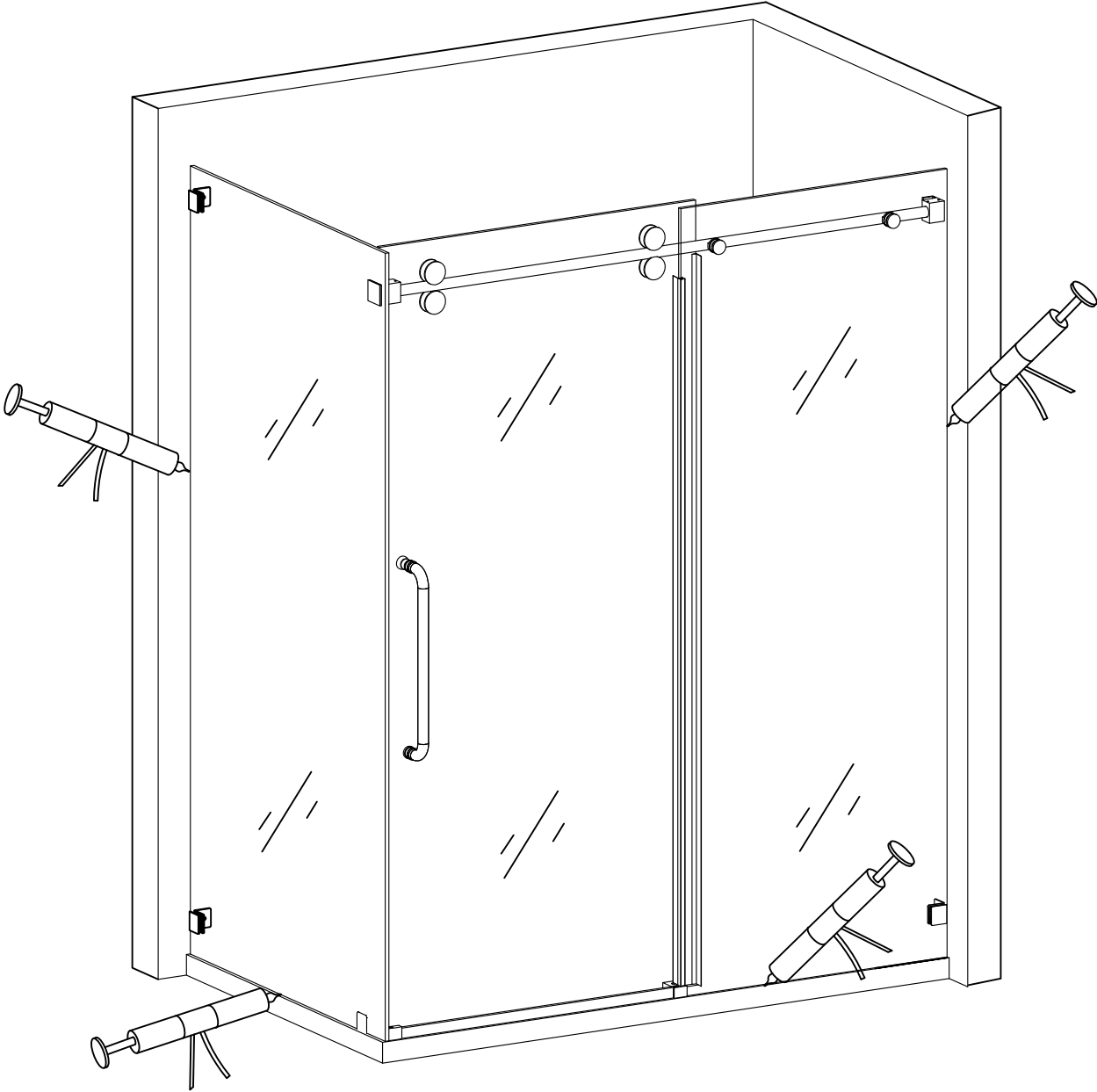
12.3 Align the bottom of the rubber strip(12) with the Movable glass(11),and install it from the bottom to the top. Cut the top of the rubber strip(12) to the same level of the bottom of the Tube(3).



12.4 Attach the handle(14) to the Movable glass(11).



13.1 The shower door can be used in 24 hours after the glass glue is sealed around the shower door.



Maintenance and repair

- 1、 Don't let children, older people or activity restricted people go into the shower room alone.
- 2、 Don't climb, lean against or hang something heavy on the shower room.
- 3、 Don't be rubbed or knocked by hard object, in case to cause broken.
- 4、 Don't make the burning cigarette near the shower room, and don't leave cigarette ash in the shower room. The burning flame will destroy the spray and glass, so it must keep away from fire.
- 5、 Before entering the shower room, pay attention the height of the falling in order to avoid getting tripped.
- 6、 Before entering the shower room, don't put the hand into the crack of the door, in case any injured occur.
- 7、 The soap suds in the shower room will make people slip very easily, Be careful not to slip.
- 8、 The shower room should be kept in good ventilation, in case to avoid leaving the moisture long stay in the shower room, and cause mildew and bad smell.
- 9、 Regularly clean the sliding rail, sliding wheel and sliding lump, add lubricant (lubricant oil or lubricant wax).
- 10、 Regularly adjust the screw of sliding wheel, sliding lump to make sure the effective load bearing and good sliding position of the moving door.
- 11、 Please use neutral liquid detergent and smooth fabric to clean the shower door. Don't use any acidity, alkaline detergent, thinner, alcohol, acetone and any strong detergent.
- 12、 When dirty water appear on the water retaining stone, you can wipe it with a little toothpaste by wet fabric.
- 13、 It will be leaking if the glass seal is dropped. So please make it up when dropped.

