

Installation manual of LED Medicine Cabinet

Size:

24" * 31-1/2" * 5-1/2" (610 * 800 * 122mm)

30" * 31-1/2" * 5-1/2" (762 * 800 * 122mm)

36" * 31-1/2" * 5-1/2" (914 * 800 * 122mm)

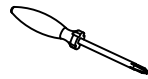
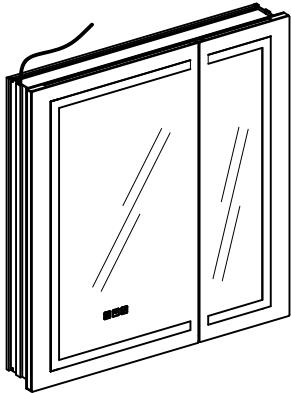
48" * 31-1/2" * 5-1/2" (1219 * 800 * 122mm)

Please read the installation instructions carefully before installation.

This product should only be installed by qualified professionals.

Before installing this product, you must confirm that the power supply is disconnected

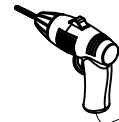
Tools



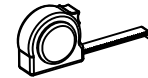
Phillips Screwdriver



Drill bit (Φ=5/16")



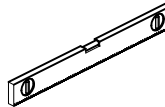
Power Drill



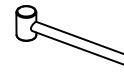
Tape Measure



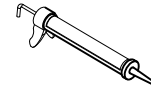
Metal File



Level



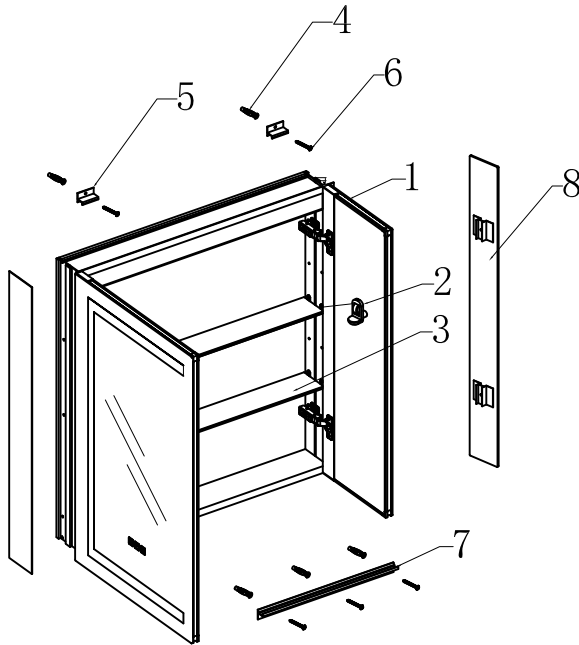
Hammer



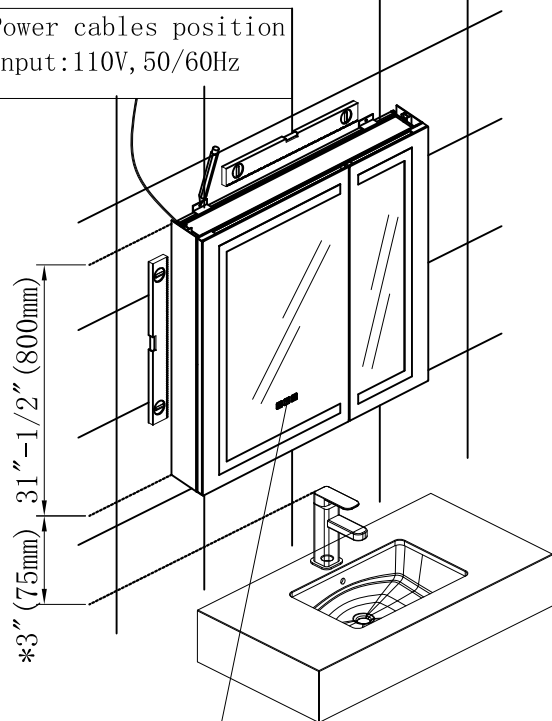
Caulk



Pencil



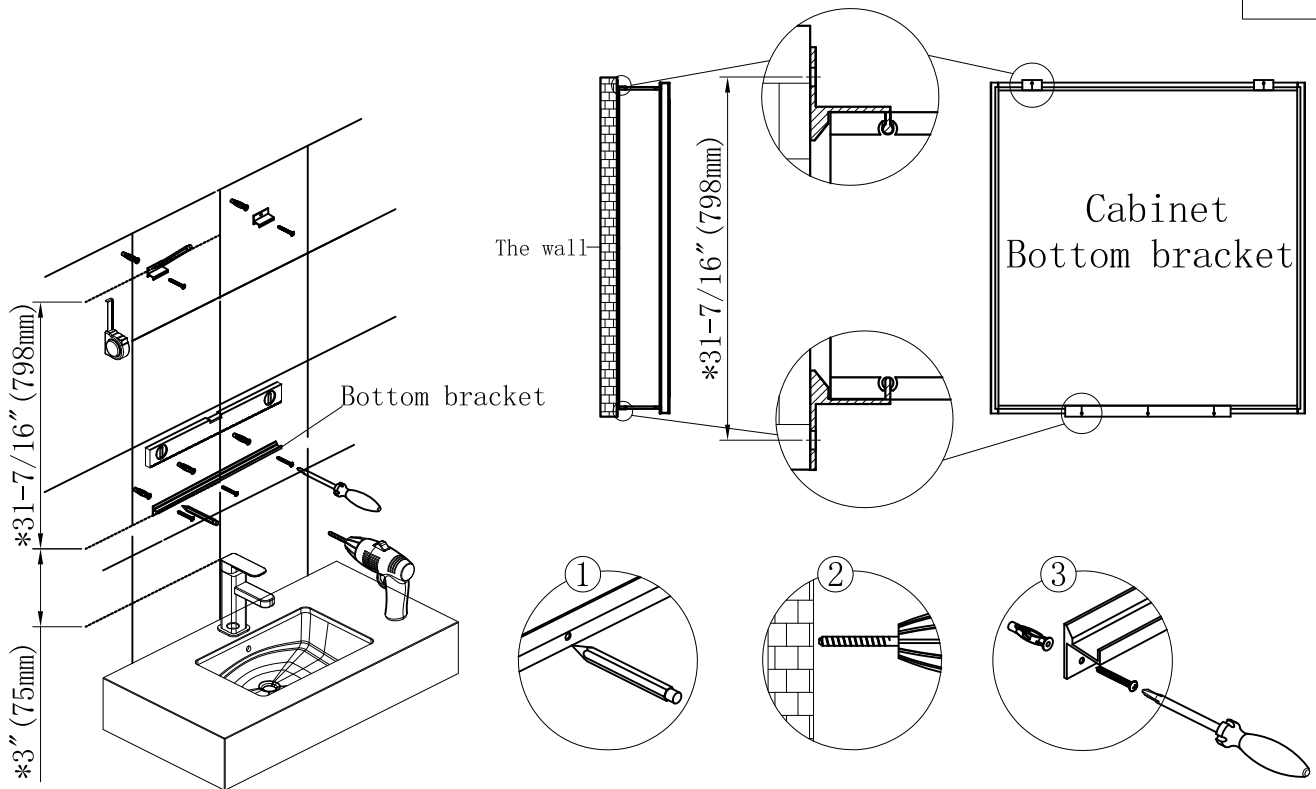
Power cables position
Input: 110V, 50/60Hz



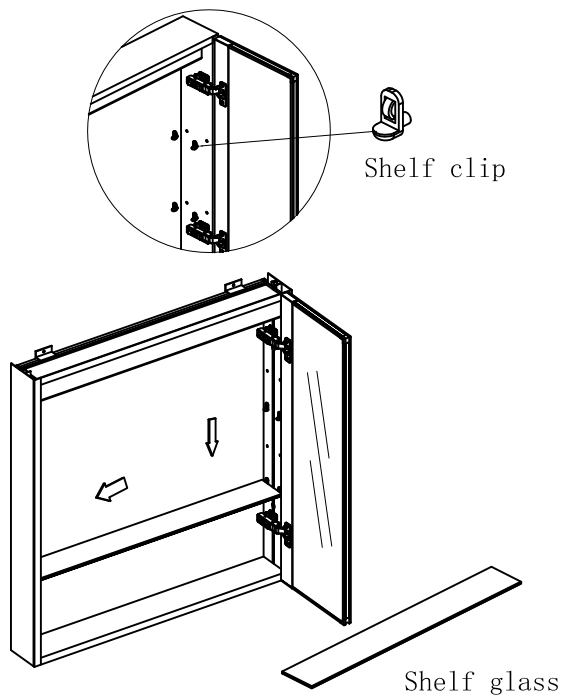
Parts list

| # | ITEM | Qty | # | ITEM | Qty |
|---|----------------------|----------|---|-------------------|---------|
| 1 | LED Medicine Cabinet | 1PCS | 5 | Bottom bracket | 2(3)PCS |
| 2 | Shelf clip | 8(16)PCS | 6 | #9 x 2 in. Screws | 6(8)PCS |
| 3 | Shelf glass | 2(4)PCS | 7 | Bottom bracket | 1PCS |
| 4 | Wall anchors | 6(8)PCS | 8 | arthropleure | 2PCS |

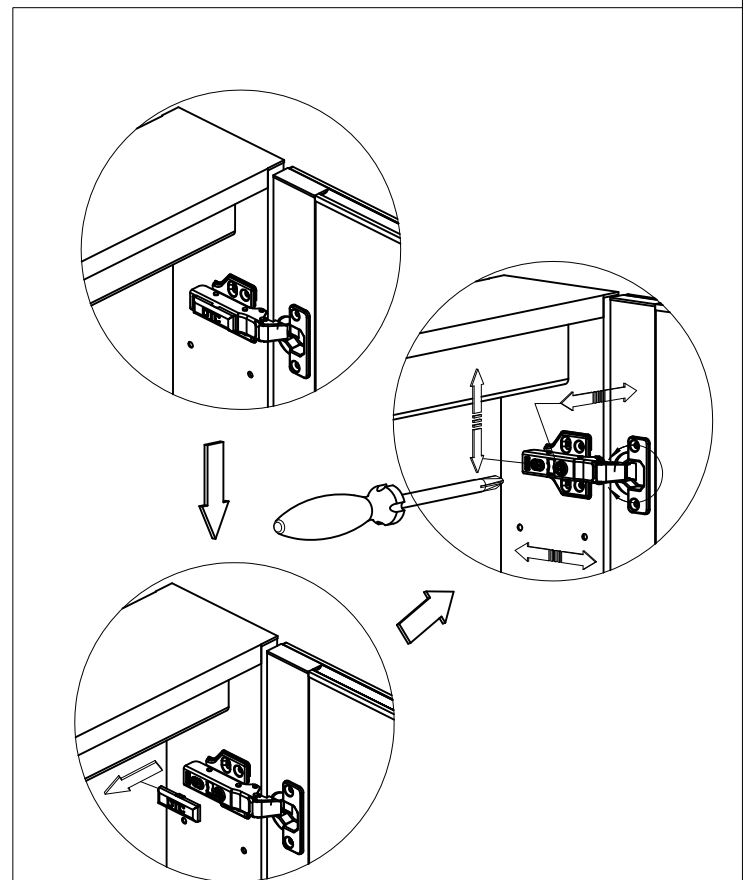
1). Determine the installation position of the LED Medicine Cabinet and mark it with a level on the wall.
NOTE: LED Medicine Cabinet should be placed minimum of 3" above the faucet.



- 2) A. As shown above, mark the position of the Bottom bracket and the drilling position
 B. Install the Bottom bracket and make sure it is solid.
 C. Mount the LED medicine cabinet on the Bottom bracket.

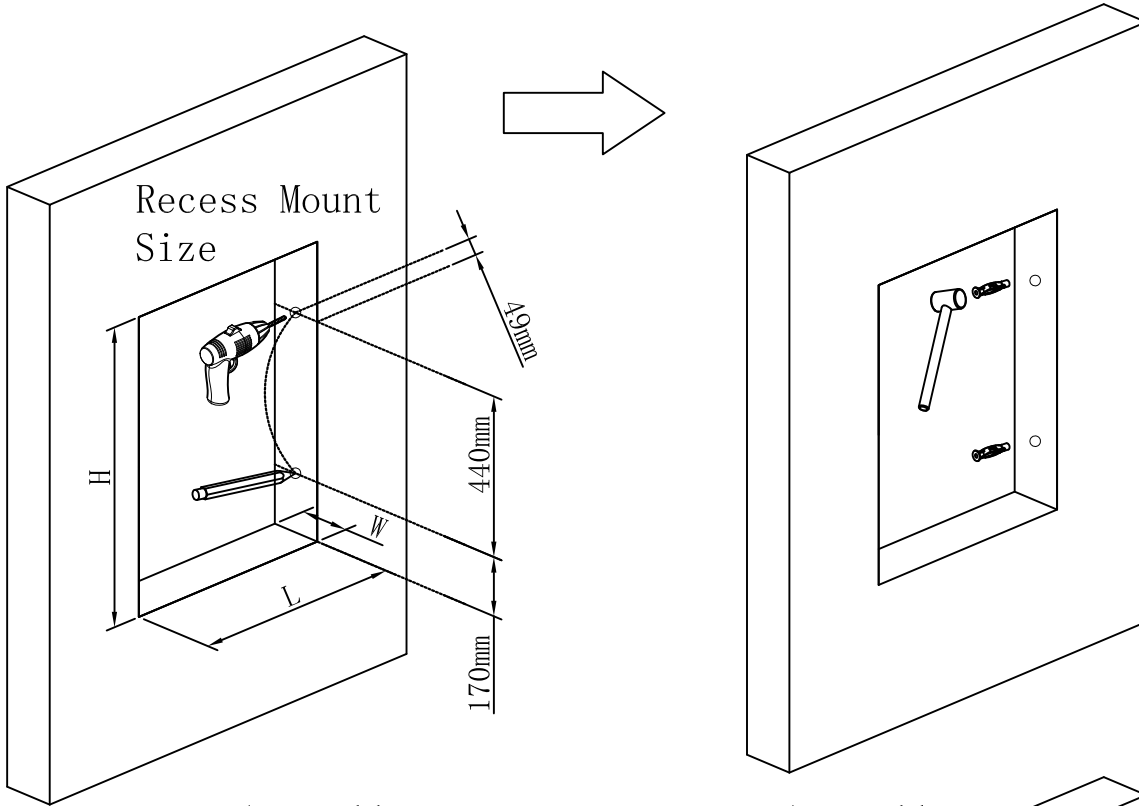


- 3). Install the Shelf clip in the cabinet and put in the Shelf glass.



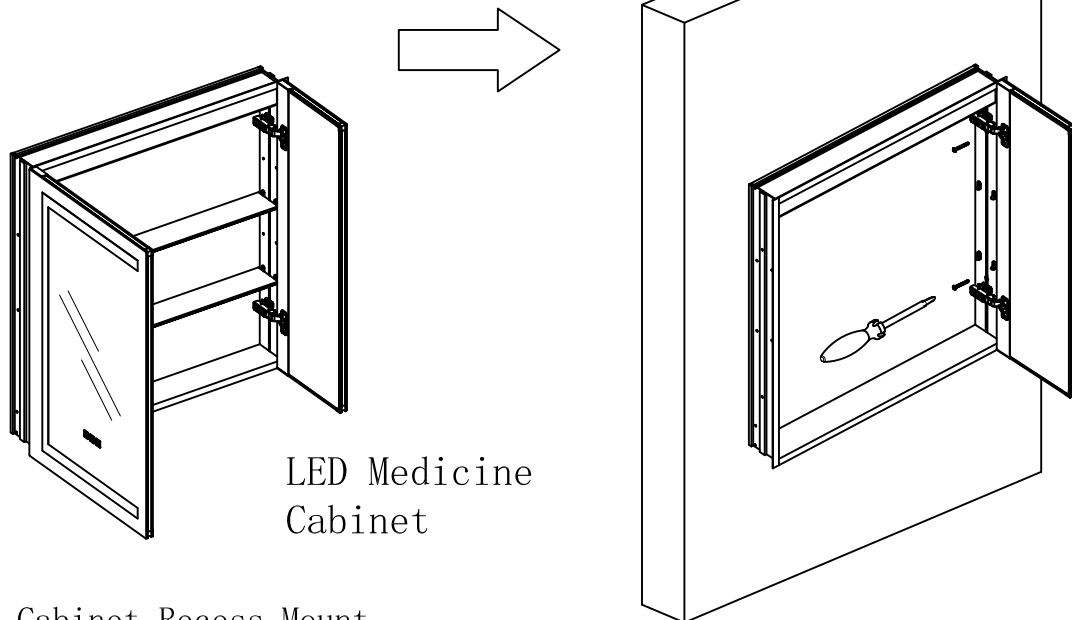
- 4). Adjust door position accordingly.

| Parts list | | | |
|------------|-------------------------------------|---|--|
| # | Cabinet Size: | Rough in Size:L*H*W | |
| LMC. Cam24 | 24"*31-1/2"*5-1/2" (610*800*122mm) | 23-1/2"*30-7/8"*4-1/2" (598*784*108mm) | |
| LMC. Cam30 | 30"*31-1/2"*5-1/2" (762*800*122mm) | 29-1/2"*30-7/8"*4-1/2" (750*784*108mm) | |
| LMC. Cam36 | 36"*31-1/2"*5-1/2" (914*800*122mm) | 35-1/2"*30-7/8"*4-1/2" (902*784*108mm) | |
| LMC. Cam48 | 48"*31-1/2"*5-1/2" (1219*800*122mm) | 47-1/2"*30-7/8"*4-1/2" (1207*784*108mm) | |



The wall

The wall



LED Medicine Cabinet

LED Medicine Cabinet Recess Mount.