

# INSTALLATION INSTRUCTIONS

## ONE PIECE TOILET



To ensure this product is installed properly, please read these instructions carefully before you begin.  
(Certain installations may require professional help.) Also be sure your installation conforms to local codes.

**CAUTION: HANDLE WITH CARE. VITREOUS CHINAWARE FRAGILE WITH SHARP EDGES IF BROEKN.**

**NOTE:** Pictures may not exactly define contour of china and components.

### RECOMMENDED TOOLS AND MATERIALS

Putty knife	Flathead Screwdriver	Adjustable Wrench	Sealant	Tape Measure
Hacksaw	Flexible Supply Hose	Water Supply Kit	Carpenters Level	

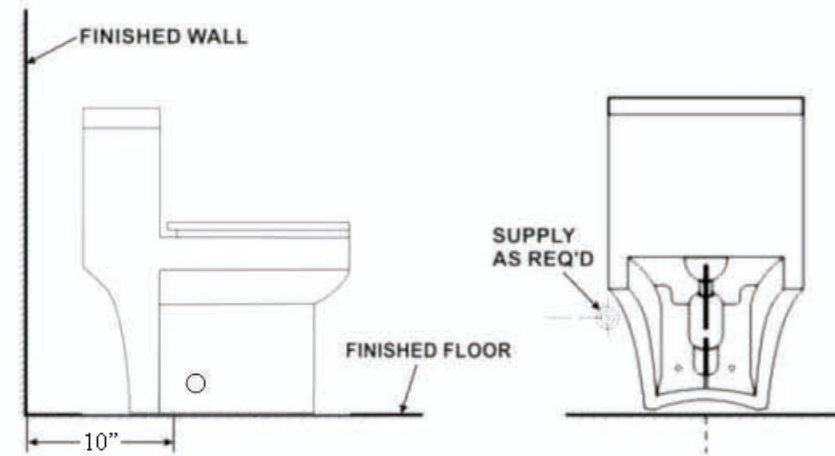
### 1 REMOVE OLD TOILET

- Turn off water supply valve and flush tank completely. Towel or sponge remaining water from tank and bowl.
- Disconnect and remove old water supply line. Note: If replacing valve, first shut off main water supply!
- Remove old mounting hardware, remove toilet and plug floor flange to block sewer gases from escaping.
- Remove closet bolts from flange and clean away old wax, putty, ect. from base area.

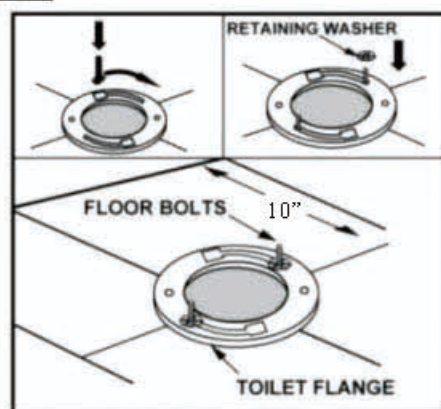
**NOTE: MOUNTING SURFACE MUST BE CLEAN AND LEVEL BEFORE NEW TOILET IS INSTALLED.**

### 2 ROUGHING-IN DIMENSIONS:

**NOTE:** Distance from wall to closet flange centerline must be as listed on chart:



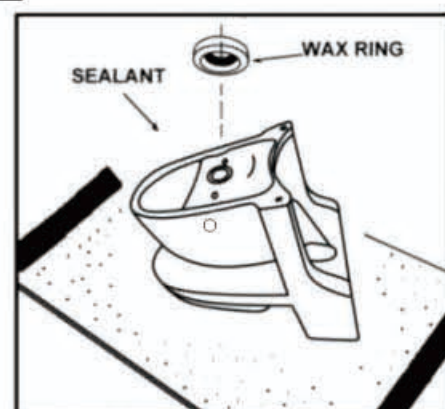
### 3 INSTALL CLOSET BOLTS



#### INSTALL CLOSET BOLTS

Insert floor bolts into flange channel with bolt head down (use plastic retaining washers to hold the bolts in full-length. Floor bolts should be parallel to wall and 6"(152mm) apart.

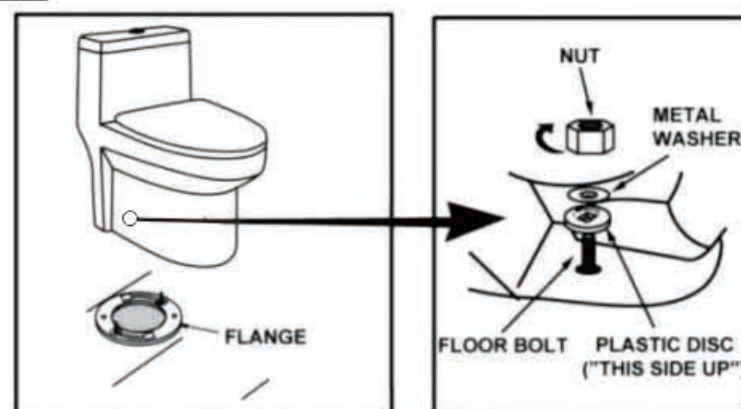
### 4 INSTALL WAX RING



#### INSTALL WAX RING

Turn toilet bowl down onto a towel or cushioned surface. Place the wax ring around the draining outlet of the bowl and press firmly enough. Apply a thin bead of sealant around toilet base.

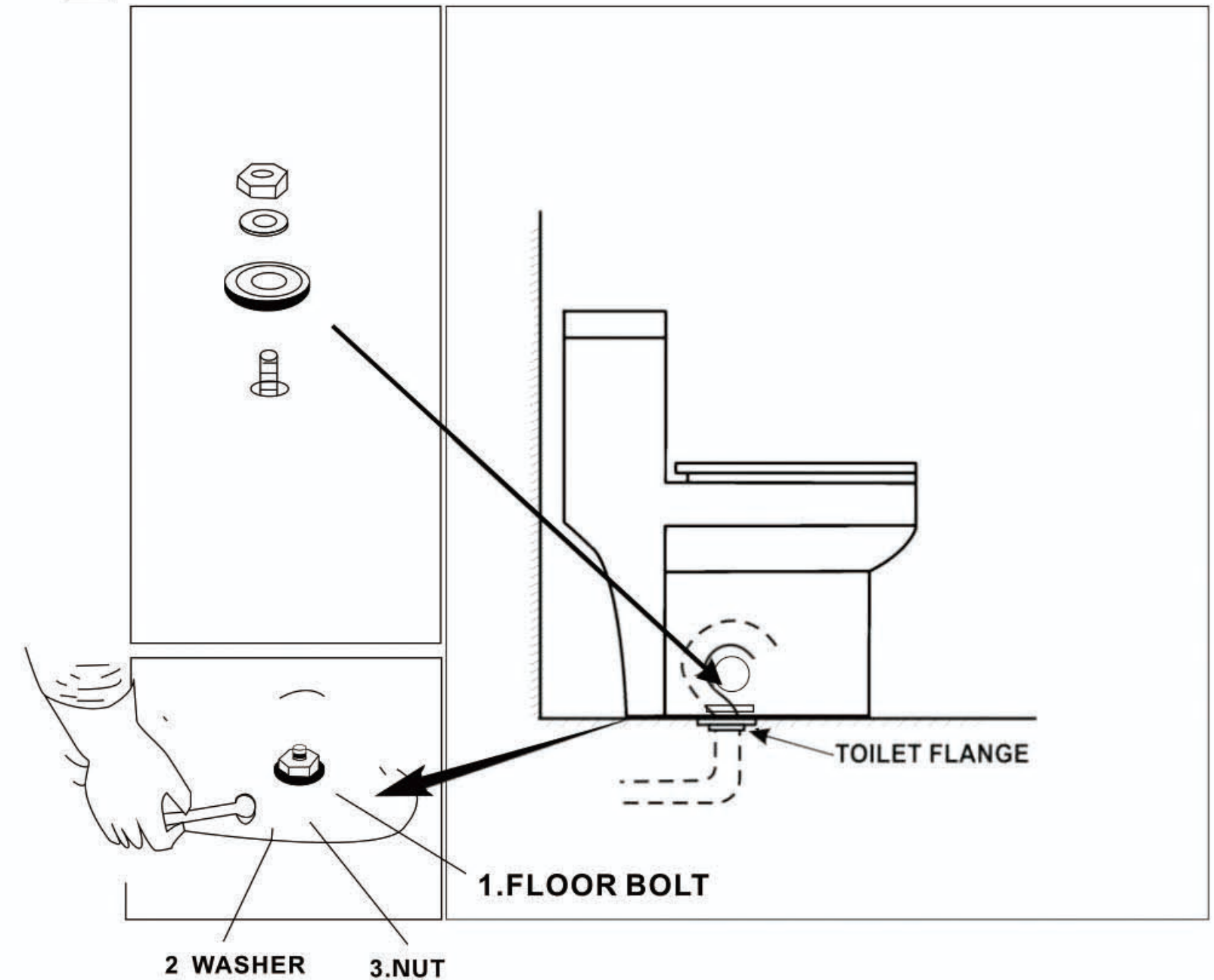
### 5 POSITION TOILET BOWL ON FLANGE



#### POSITION TOILET BOWL ON FLANGE

- Unplug floor waste opening, gently place the bowl in position with the floor bolts protruding up through the hole in the base.
- Press down with slight twisting motion on the top center of bowl to compress the wax ring creating a water-tight seal.
- Place plastic disc, metal washers and nuts on floor bolts.

### 6 INSTALL TOILET



- Using a hacksaw, cut off excess length of floor bolts so bolt caps will fit (leave no more than 1/4" length above nuts.) Alternately tighten nuts until toilet bowl is firmly seated on floor.

**DO NOT OVERTIGHTEN NUTS BECAUSE VITREOUS CHINA CAN EASILY CRACK OR CHIP.**

- Pour water into bowl to prevent the escape of sewer gases.
- Place bolt caps over floor bolts and press down for secure fit.
- Smooth off the bead of sealant around base. Remove excess sealant.

MODELS:

Model Number	Flush Type	Rated Flush Volume (Single or Average) (gpf)	Rated Flush Volume (Full Flush) (gpf)	Rated Flush Volume (Reduced Flush) (gpf)	Flush Mechanism
WC0397-B	Dual	1.27	1.6	1.1	Gravity

SAVE FOR FUTURE USE