

Warranty Information

PASGO faucet warrants the original purchase (must have prove of purchase) that such product is free from defect in materials or workmanship for as long as the original consumer purchaser owns their home from the date of purchase. This warranty is limited to but not including labor charges incurred in/or damages sustained during installation, repair or replacement, nor incidental or consequential damages. This warranty does not cover items which are received secondary finishing or have been altered or modified after purchase, or for defects raised by physical abuse to or misuse of the product. This warranty gives the original purchaser of a PASGO faucet specific legal rights which may vary from state to state or from province to province. In some states or provinces the exclusion or limitation incidental or consequential damages is not allowed, for those exclusions may not apply to you.

Thank you for your purchase

Proposition 65: For more information: [www. P65WARNIGS.CA.GOV](http://www.P65WARNIGS.CA.GOV)

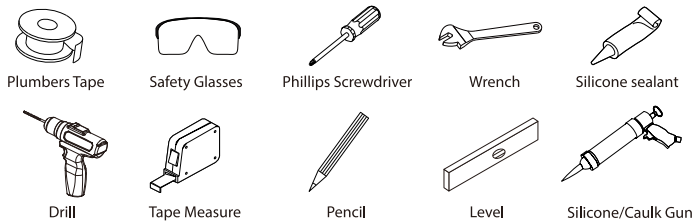
PASGO[®]

— Kitchen & Bath —

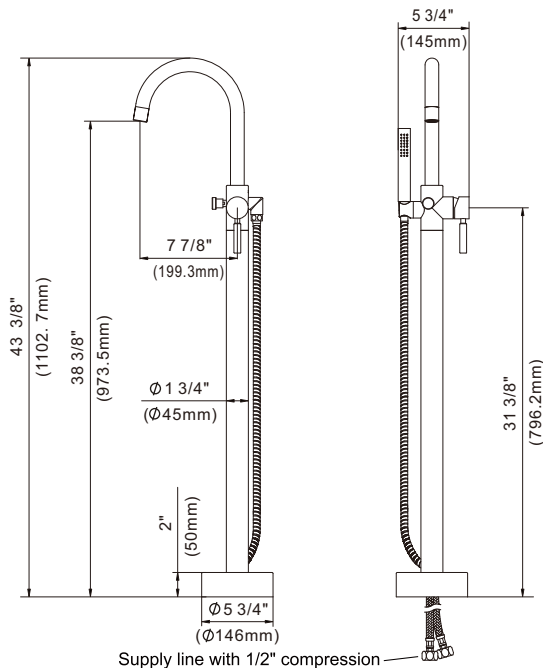


Product model: 3374

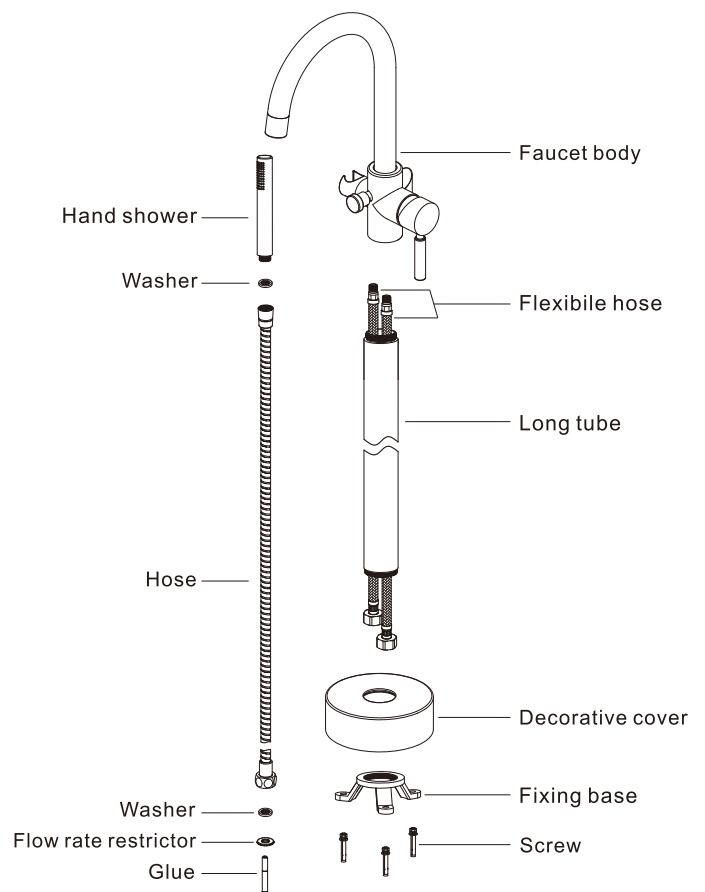
Tools you may need



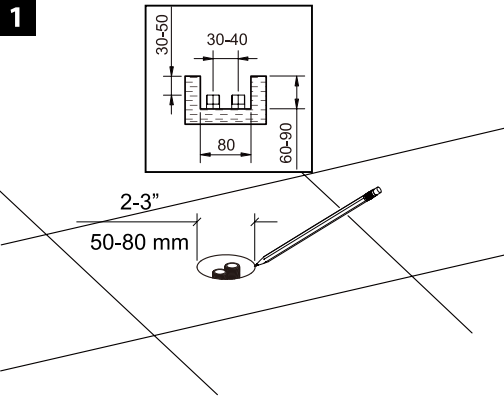
Dimensions



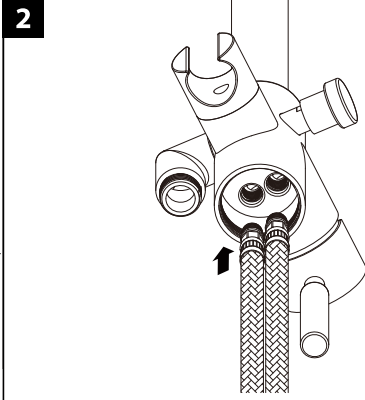
Parts Diagram



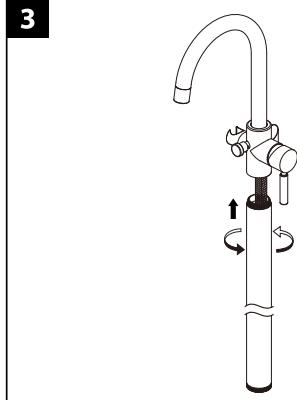
FAUCET INSTALLATION STEPS



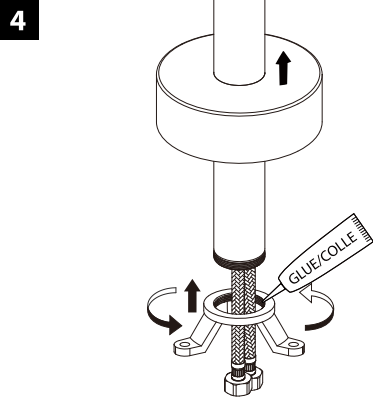
Trace a 2"-3" (50-80mm) diameter circle on the floor above the already installed water supplies and cut on the dieline to make a hole.
Note: Shut off water suppliers.



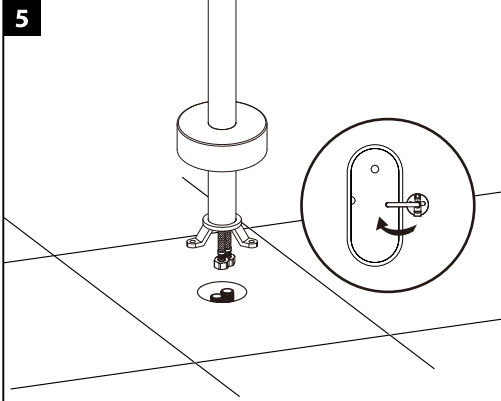
Hand tight the hot and cold flexible water supply line onto faucet body.



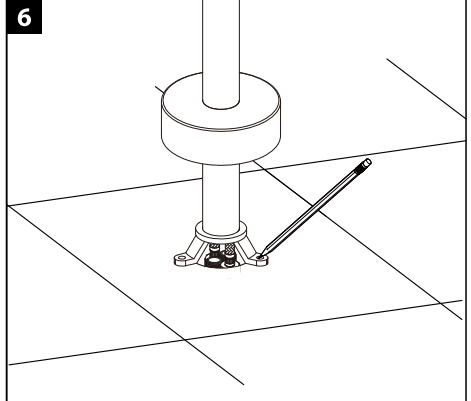
Insert faucet body assembly onto the faucet tube from the top and hand tighten it. Make sure the flexible water supply lines go through the tube smoothly.



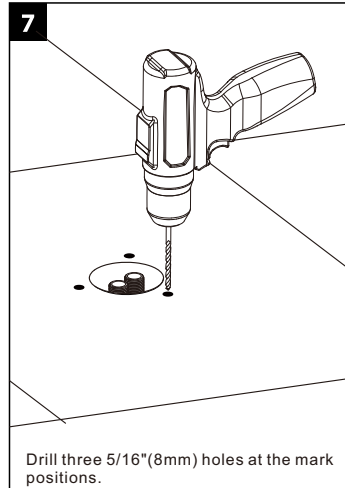
Insert the faucet tube into the base covet. Thread the tube onto the mounting tripod.



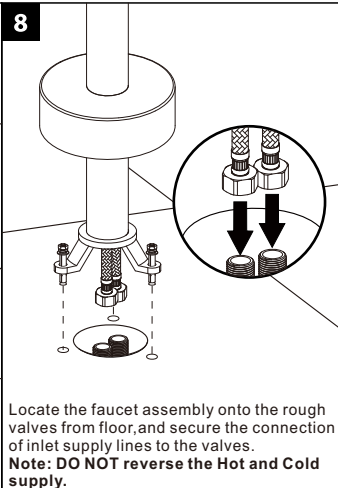
Align the faucet toward the bath tub.



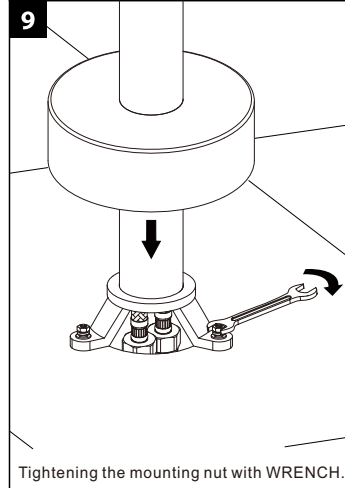
Using the mounting piece as a template, mark the positions of the screw holes.



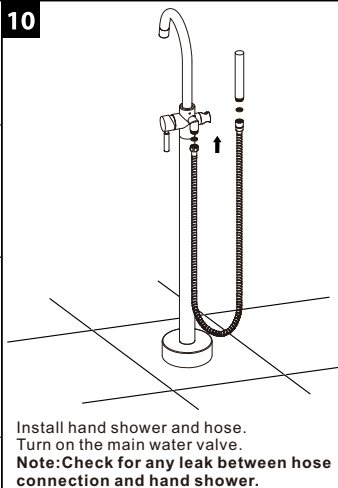
Drill three 5/16"(8mm) holes at the mark positions.



Locate the faucet assembly onto the rough valves from floor, and secure the connection of inlet supply lines to the valves.
Note: DO NOT reverse the Hot and Cold supply.



Tightening the mounting nut with WRENCH.



Install hand shower and hose. Turn on the main water valve.
Note: Check for any leak between hose connection and hand shower.

Using explanation

1. Upturn the handle to open the water, bigger angle, more water. Turn back handle then the close water. Turn left the handle, more hot water; Turn right the handle, more cold water. Refer to draft (I , II).
2. Open the faucet handle, the water come out from the spout. Turn the diverter handle left or right by 90 degree, the water come out from the hand shower. Refer to draft (III , IV).

