

# Warranty Information

PASGO faucet warrants the original purchase (must have prove of purchase) that such product is free from defect in materials or workmanship for as long as the original consumer purchaser owns their home from the date of purchase. This warranty is limited to but not including labor charges incurred in/or damages sustained during installation, repair or replacement, nor incidental or consequential damages. This warranty does not cover items which are received secondary finishing or have been altered or modified after purchase, or for defects raised by physical abuse to or misuse of the product. This warranty gives the original purchaser of a PASGO faucet specific legal rights which may vary from state to state or from province to province. In some states or provinces the exclusion or limitation incidental or consequential damages is not allowed, for those exclusions may not apply to you.

Thank you for your purchase

Proposition 65: For more information: [www. P65WARNIGS.CA.GOV](http://www.P65WARNIGS.CA.GOV)

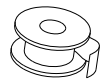
**PASGO**<sup>®</sup>

— Kitchen & Bath —

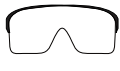


Product model: 19501QT

## Tools you may need



Plumbers Tape



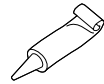
Safety Glasses



Phillips Screwdriver

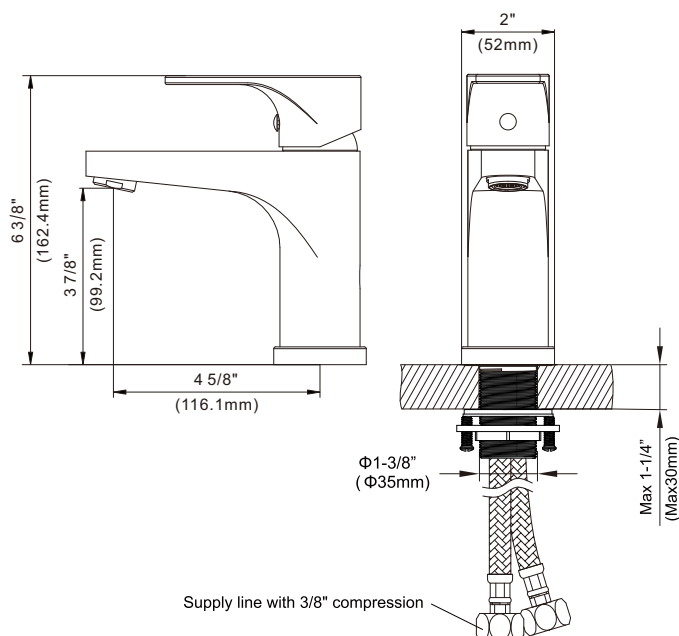


Wrench

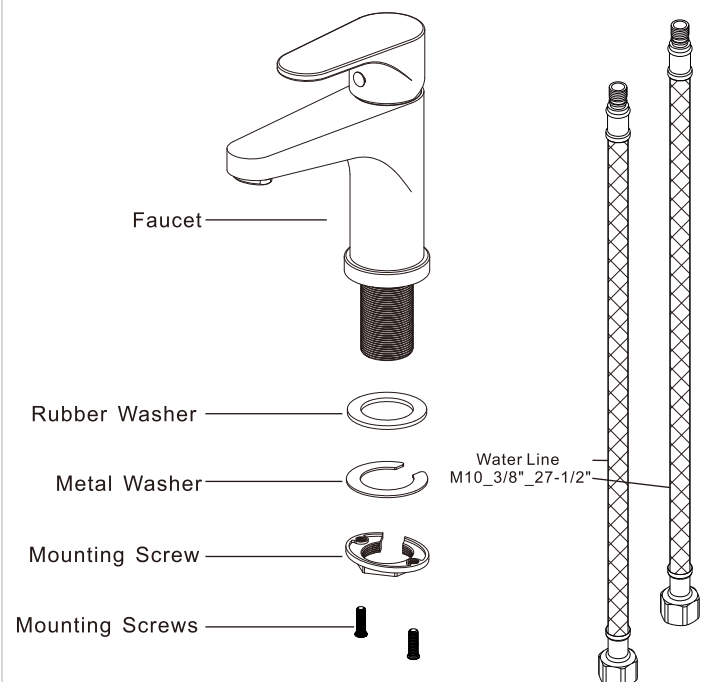


Silicone sealant

## Dimensions

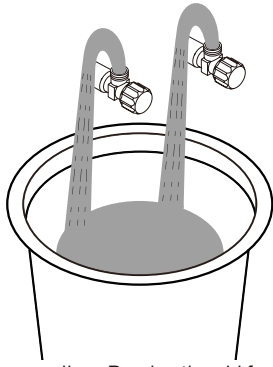


## Parts Diagram



## FAUCET INSTALLATION STEPS

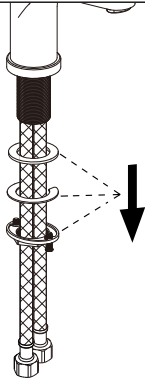
1



Shut off water suppliers. Remove the old faucet, clean the mounting surface.

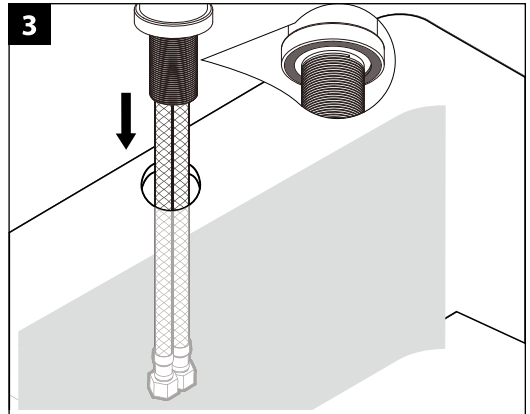
**Note:** For first time install, flush the pipes first by open the angle valve to run 60S.

2



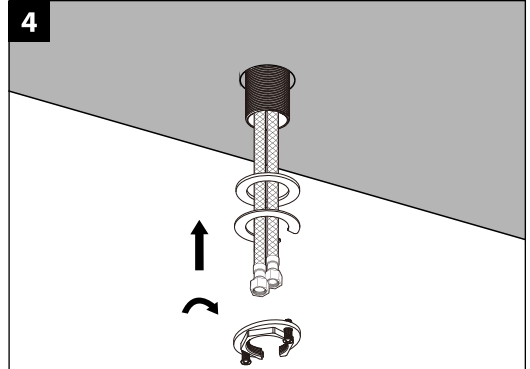
Remove the mounting hardware from the mounting pipe.

3



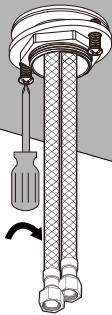
Put the rubber O-ring into the bottom gap of faucets then Insert faucet into faucet hole.

4



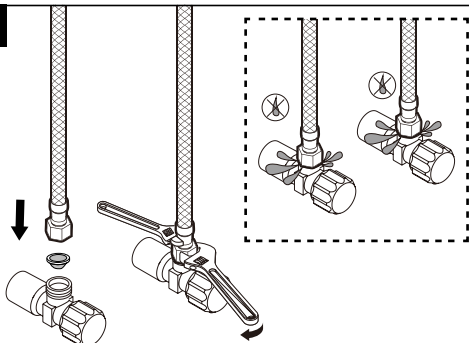
From below the sink, Slide rubber washer, metal washer and mounting bracket onto the thread shank.

5



Adjust position of faucet body if necessary, Then tighten the mounting nuts with phillips screwdriver until snug.

6



Connect and tighten the supply hoses by using two adjustable wrenches (avoid twisting or kinking). Turn on the angle valve and check for leaks.

**Note:** Do not remove the net filter that attached into the connecting end!

## INSTRUCTIONS

Upturn the handle to open the water. The larger the angle is, the larger the flow is. Reset is closed.

Turn left the handle, more hot water:

Turn right the handle, more cold water.

