

# Installtion manual of LED Mirror

## Size:

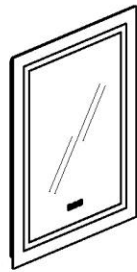
24" \* 31-1/2" \* 1-1/2" (596\*800\*35mm)  
 30" \* 31-1/2" \* 1-1/2" (750\*800\*35mm)  
 36" \* 31-1/2" \* 1-1/2" (900\*800\*35mm)  
 48" \* 31-1/2" \* 1-1/2" (1205\*800\*35mm)  
 56" \* 31-1/2" \* 1-1/2" (1420\*800\*35mm)

Please read the installation instructions carefully before installation.

This product should only be installed by qualified professionals.

Before installing this product, you must confirm that the power supply is disconnected

## Tools



Phillips  
Screwdriver



Drill bit  
(Φ=5/16")



Power Drill



Tape Measure



Metal File



Level



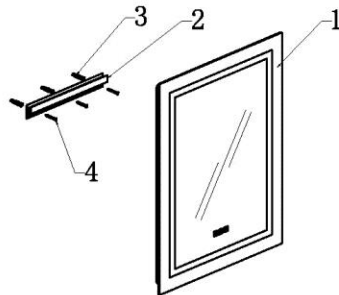
Hammer



Caulk

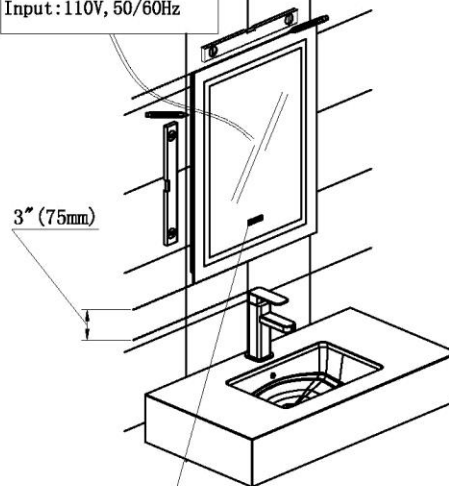


Pencil



| Parts list |                |      |   |                   |         |
|------------|----------------|------|---|-------------------|---------|
| #          | ITEM           | Qty  | # | ITEM              | Qty     |
| 1          | LED Mirror     | 1PCS | 3 | Wall anchors      | 3(4)PCS |
| 2          | Bottom bracket | 1PCS | 4 | #9 x 2 in. Screws | 3(4)PCS |

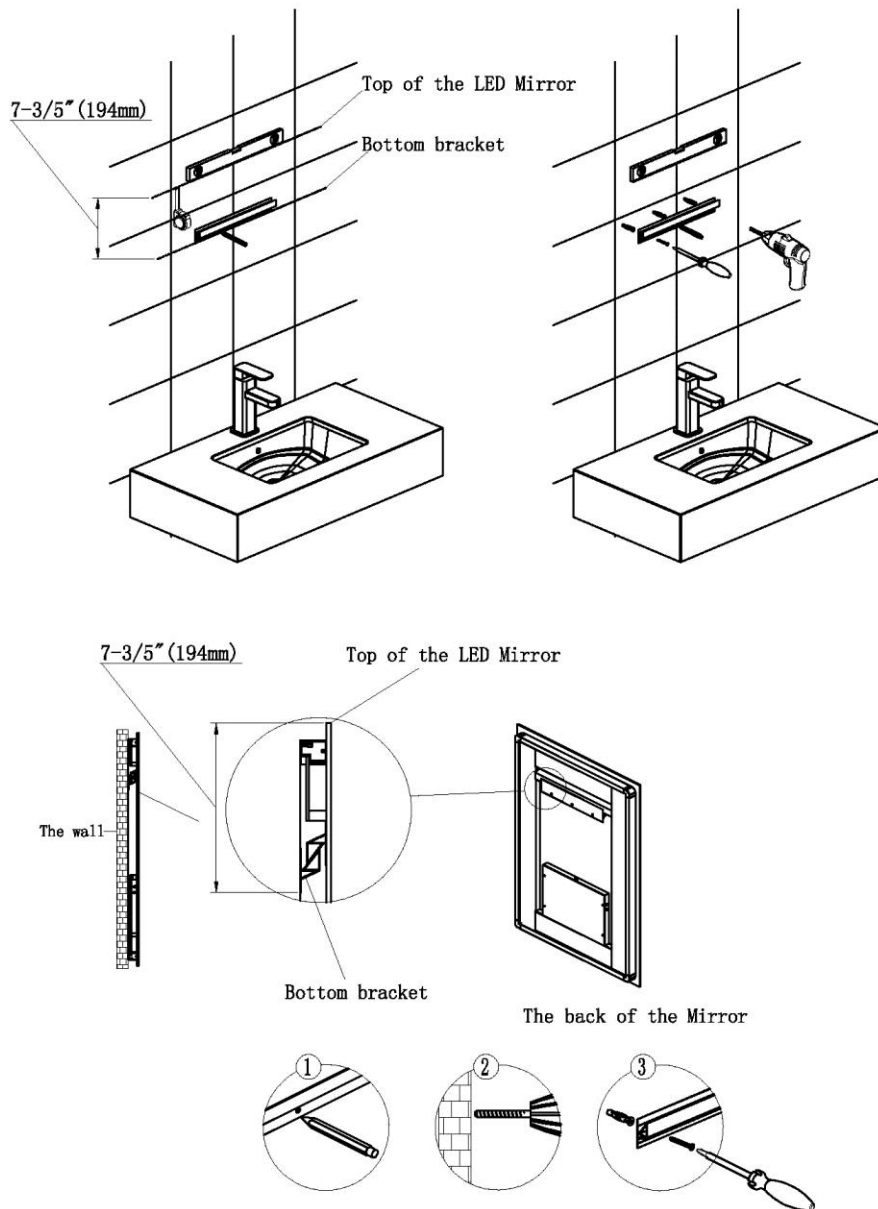
Power cables position  
Input: 110V, 50/60Hz



Anti-fog/dimming and light switch/Color

1). Determine the installation position of the LED Mirror and mark it with a level on the wall.

NOTE: LED Mirror should be placed minimum of 3" above the faucet.



- 2) A. As shown above, mark the position of the Bottom bracket and the drilling position.  
 B. Install the Bottom bracket and make sure it is solid.  
 C. Mount the LED Mirror to the Bottom bracket.