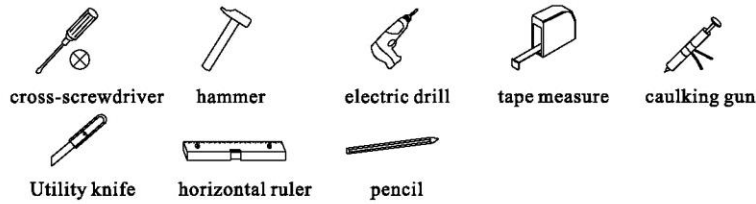


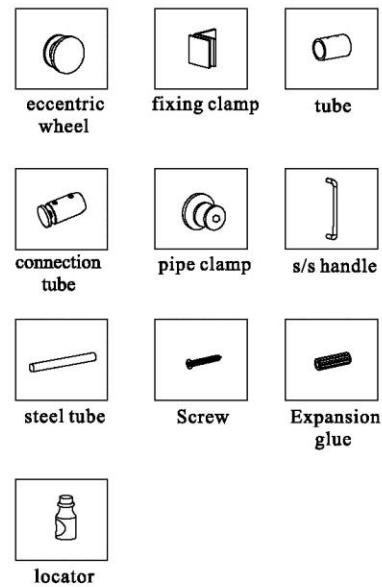
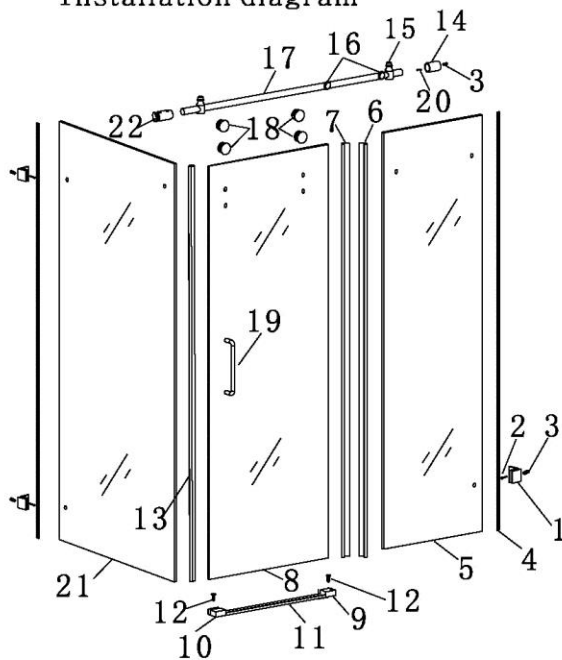
Installation for Instruction

ITEM NO:LY9505-21

Tools you need



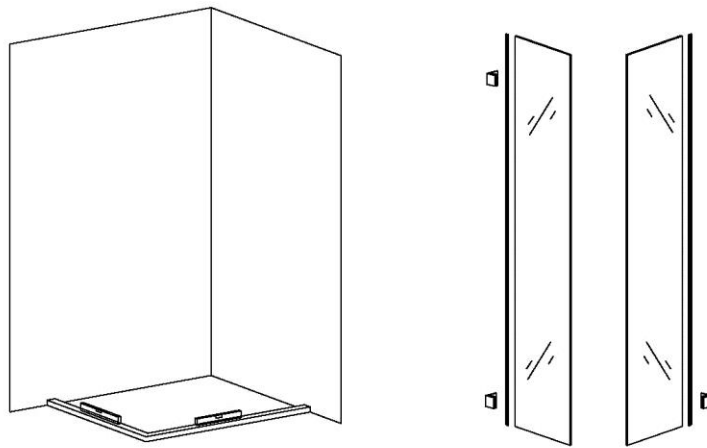
Installation diagram



Spare parts List

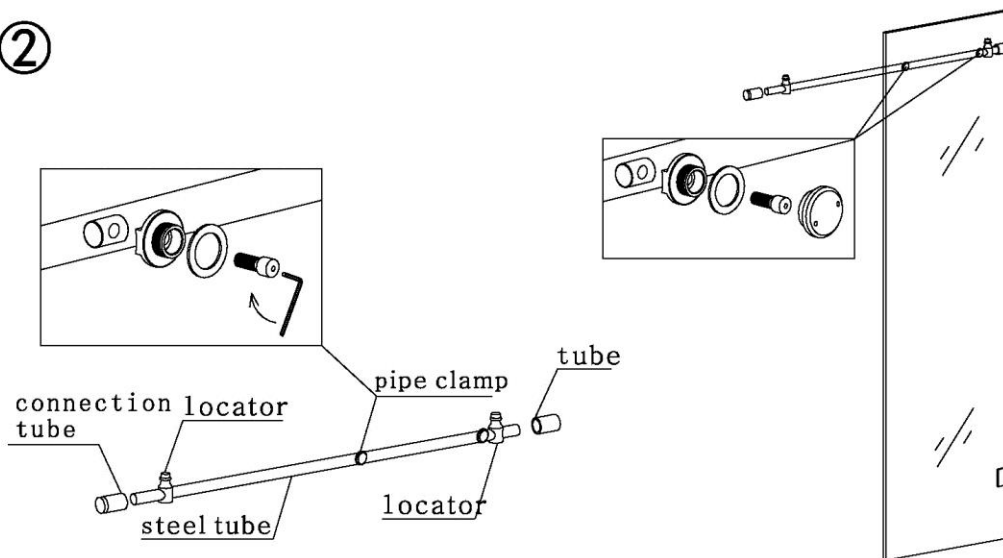
8	movable glass	16	pipe clamp	24	
7	Water bar	15	locator	23	
6	Water bar	14	tube	22	connection tube
5	fixing glass	13	bubble rubber bar	21	big fixing glass
4	bubble rubber	12	Flat tapping screw M4×30	20	Tapping screw M6×50
3	Inflatable glue 8mm	11	Waterproof bar	19	s/s handle
2	Tapping screw M5×40	10	Right sliding cover	18	eccentric wheel
1	fixing clamp 45×45mm	9	Left sliding cover	17	steel tube
No.	Description	No.	Description	No.	Description

①



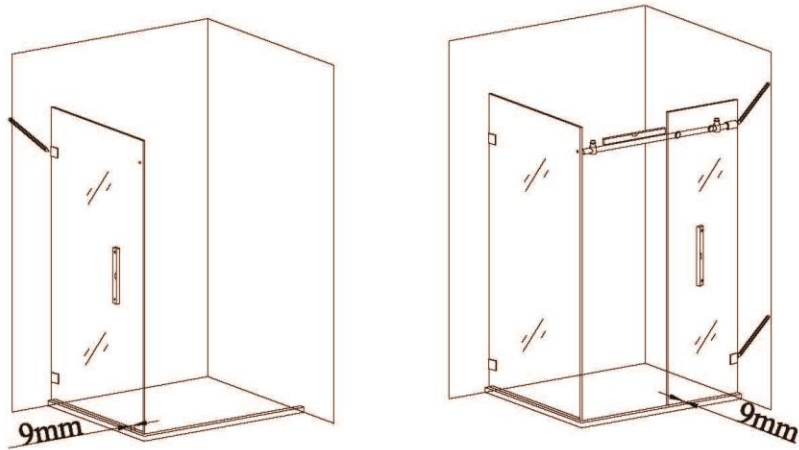
1. Select the installation position, put the base stone or tray to the position and measure it vertically by spirit level.
2. Assemble the accessories and glass, bubble rubber bar and fixing clamp on the fixing glass.

②



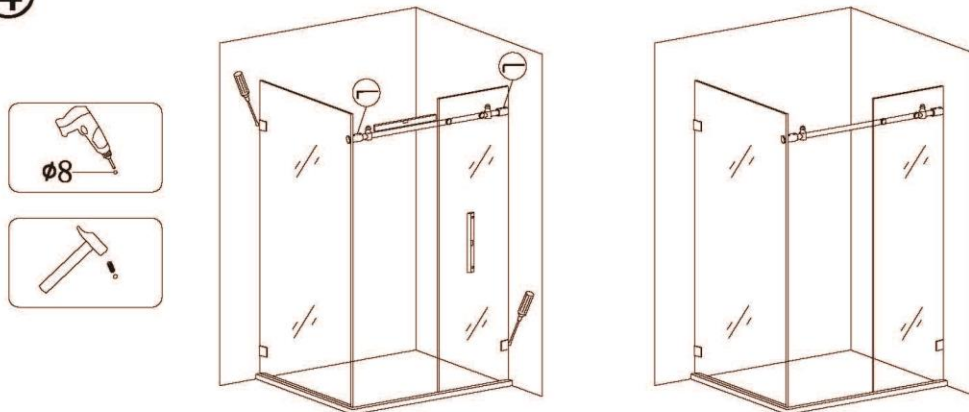
1. Install the rubber rail.
2. Put the movable glass onto the sliding wheel, and install the upper rail.

③



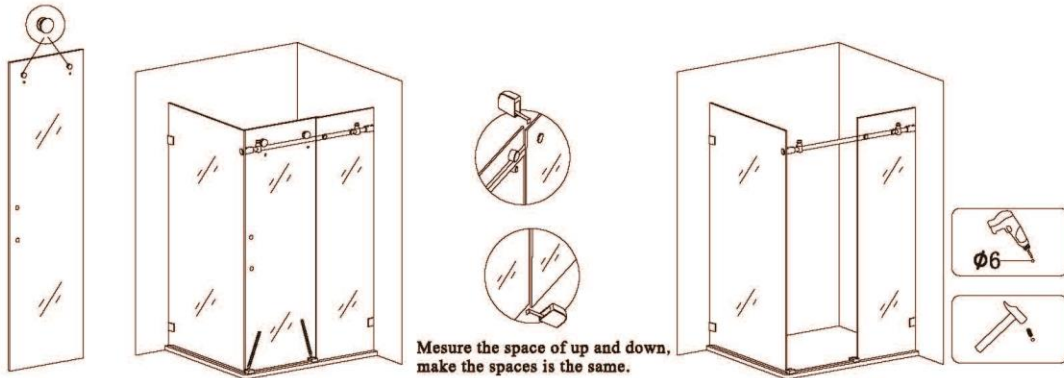
1. Put the fixing glass on the base stone. The distance between them is 9 mm. Make them vertically by spirit level, marked by pencil, then take off the fixing glass.

④



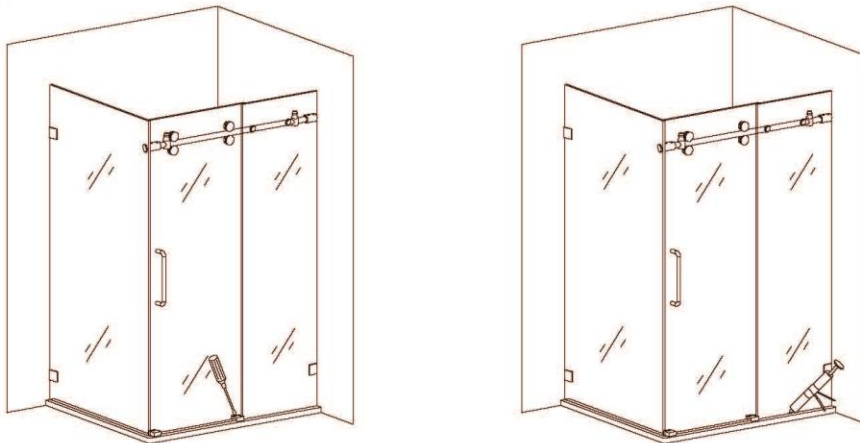
1. drill a hole by a $\varnothing 8$ driller on the marked position, and insert with inflatable rubber.
2. Put the fixing glass on the base stone, make it vertically. Locked the fixing clamp tight with tapping screw $M5 \times 40$, and the tube is locked by flat tapping screw $M6 \times 50$.
3. Put the big fixing glass to the connection tube, and locked with square tube.
4. Assemble the small fixing glass to the water bar.

⑤



1. Put the movable glass onto the sliding wheel, and install the upper rail.
2. Put two plastic sliding cover and movable glass onto the base stone. Measure the space between the movable glass and fixing glass, make them vertically. Mark the sliding cover position by pencil, take off movable glass and sliding cover, then drill a hole by a $\varnothing 6$ driller and insert with inflatable rubber.

⑥



1. Put the waterproof bar on the base stone, locked it tight with flat tapping screw $M4 \times 30$.
2. Put the movable glass onto the upper rail, adjust the balance of wheel. Assemble with needle, bubble rubber and waterproof rubber.
3. Sealed with glass glue around the shower room. It can be used in 24 hours.