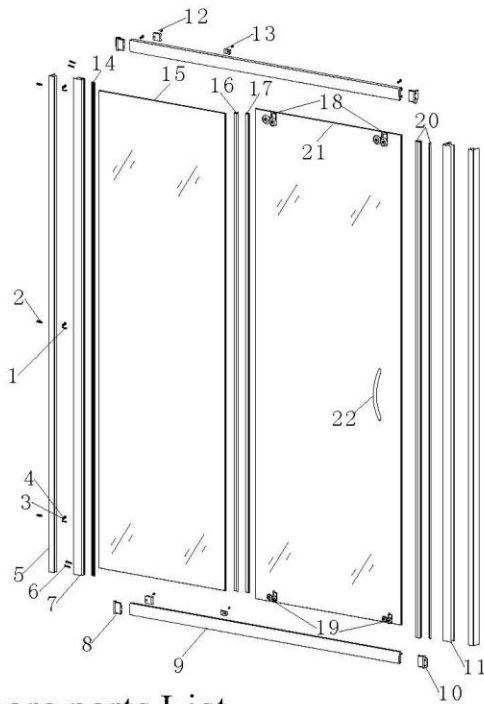
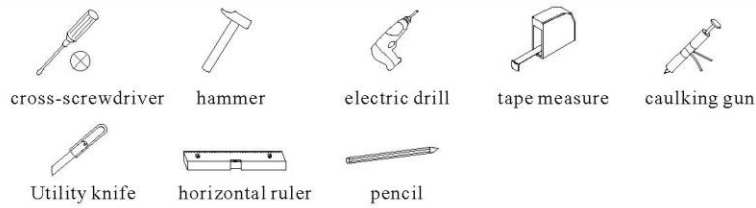


# Installation for Instruction

ITEM NO:LY8101-11

## Tools you need



Screw



Expansion glue



Up-wheel



Down-wheel



A.B decorative cover



Left plastic connector



Right plastic connector



Anti-collision rubber



Plastic clamp

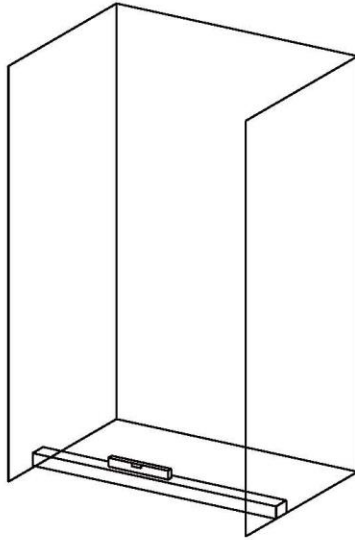


Plastic handle

## Spare parts List

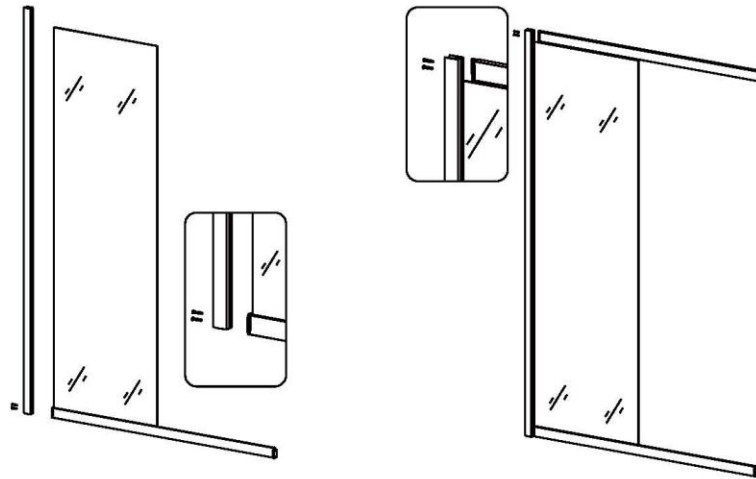
8	Left plastic connector	16	Plastic waterproof bar		
7	Aluminum material_Columnmaterial	15	Toughened fixing glass		
6	Tapping screw M4×16	14	Single side rubber	22	Plastic handle
5	Aluminum material_Wallstickmaterial	13	Plastic clamp	21	Toughened movable glass
4	Tapping screw M4×10	12	Anti-collision rubber	20	Plastic Magnetic stripe
3	A.B decorative cover	11	Aluminum material_Magneticcolumn	19	Down-wheel
2	Inflatable glue 6mm	10	Right plastic connector	18	Up-wheel
1	Tapping screw M4×30	9	Aluminum material_Rail	17	Plastic waterproof bar
No.	Description	No.	Description	No.	Description

①



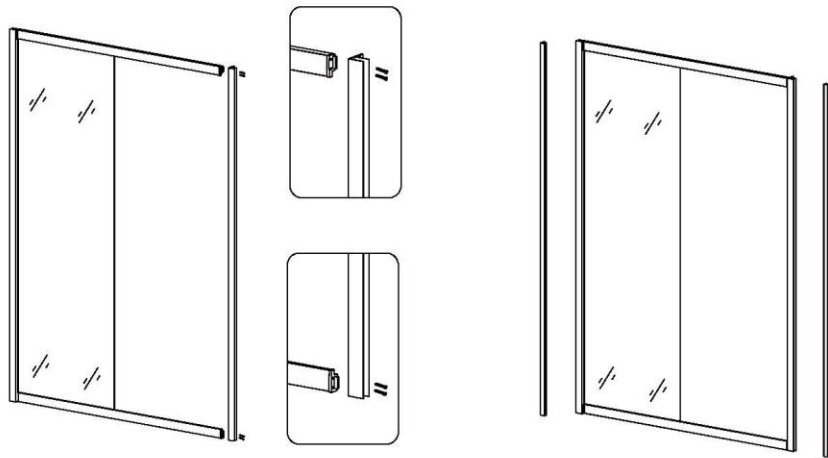
Select the installation position, put the tray or base stone to the position and measure it vertically by spirit level.

②



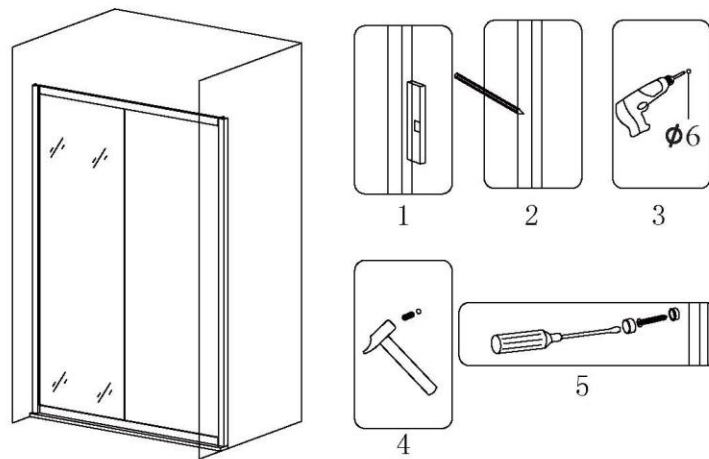
Put the fixing glass to the rail.  
Connect the column and rail by tapping screw M4×16.

③



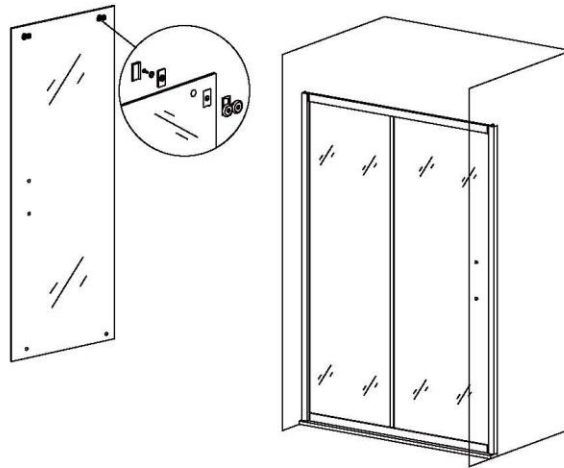
Connect the magnetic column and rail by tapping screw M4×16.  
Install the wall stick material to both of the columns.

④



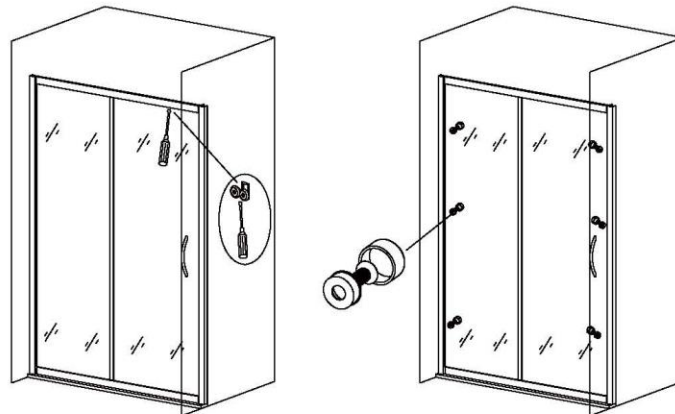
Measure and make the side column vertically by spirit level, Mark the fixing screw position by pencil, drill a hole by an  $\phi 6$  drill, throw the inflatable glue in and fix the side column to the wall by screw (M4×30), and install the A.B decorative cover.

⑤



Put the up-wheel on the movable glass, adjust the up-wheel to the bottom. Then lift up the glass to the to up-rail, put the down-wheel to the down-rail and fix it by screw and key.

⑥



Install the plastic magnet stripe, waterproof bar, single side rubber and plastic handle, adjust the balance of upper wheel by screwdriver to make the magnet strip adsorb closely. Drill a hole by an  $\varnothing 3.2$  drill, fix the column and wall stick material by  $M4 \times 10$  screw and A.B decorative cover. Finally seal with glass glue around the shower room. It can be used in 24 hours.