

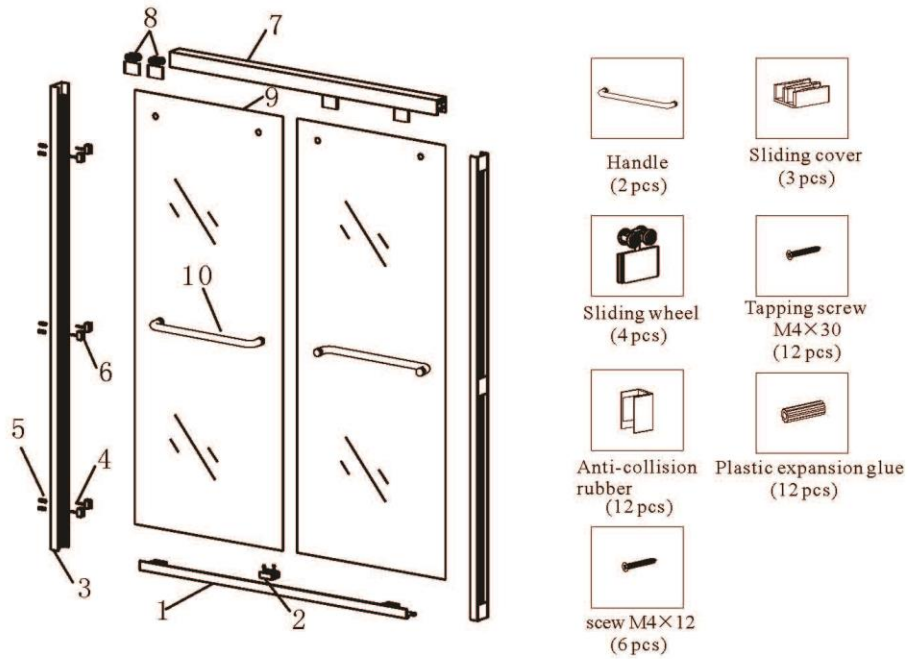
# Installation for Instruction

ITEM NO:LY3301-02

## Tools you need



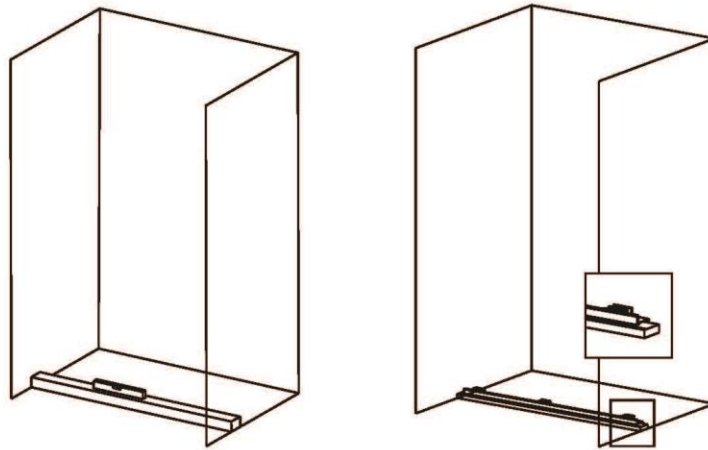
## Installation diagram



## Spare parts List

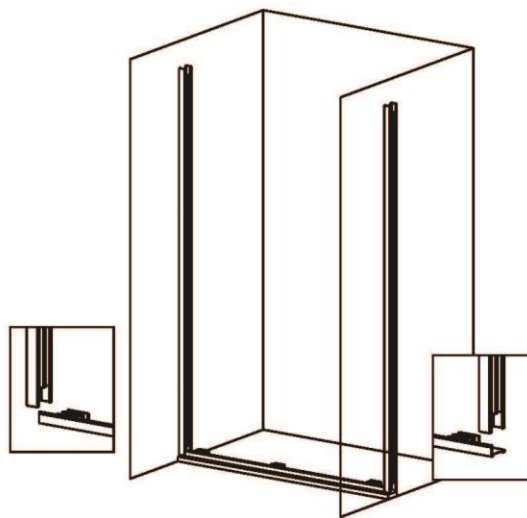
4	Tapping screw M4×30	8	Sliding wheel		
3	Side column	7	Upper rail		
2	Sliding wheel	6	Anti-collision rubber	10	s/s handle
1	Under rail	5	Inflatable glue 6mm	9	Movable glass
No.	Description	No.	Description	No.	Description

①



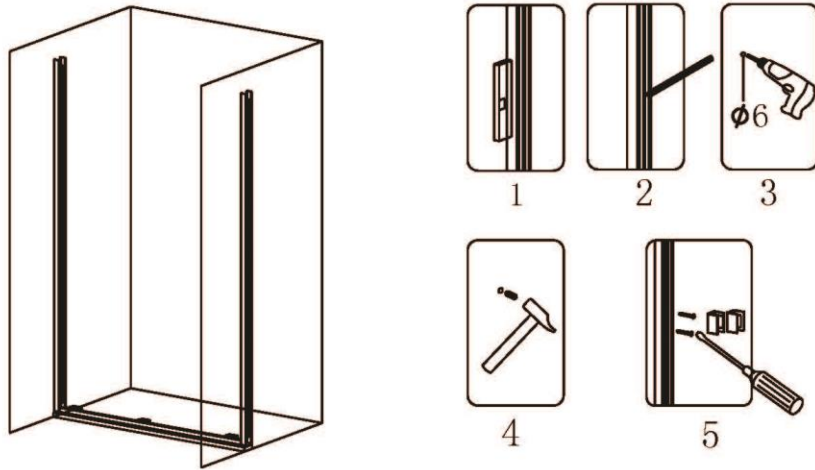
1. Select the installation position, put the tray or base stone to the position and measure it vertically by spirit level.
2. Put the down-rail to the installation position. Make sure that down-rail is in the center position, leave some space at both ends in order to install side column.

②



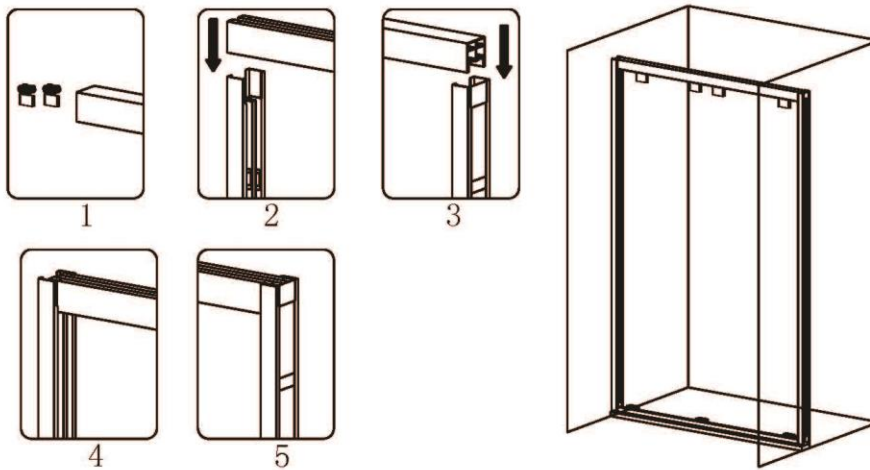
1. Insert the right and left column to the down-rail. Pay attention to the bottom slotting direction. Exchange the side column if the slotting direction is wrong.

③



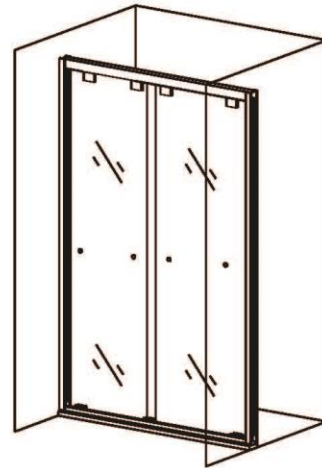
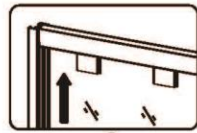
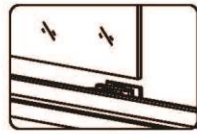
1. Measure the side column vertically by spirit level, marked the fixing screw position by pencil, drill a hole by a  $\phi 6$  driller on the marked position, and insert with inflatable rubber. Fix the side column to the wall by M4 $\times$ 30 screw, assemble with anti-collision rubber.

④



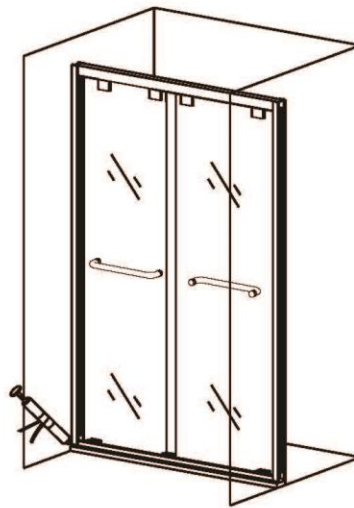
1. Put the sliding wheel on the rail.  
2. Put the upper rail to the slot of the side column, and press it down with force.  
3. After install the up-rail, adjust the length of both ends, so that the length of which rail of the column is the same.

⑤



1. Take the bottom of one movable glass insert to the slot of outside sliding rail. Then lift up the glass to the fixing position of the sliding rail for fixing.

⑥



1. Install the handle of the movable door. Attention to the direction of the handle. Make sure the outside handle rod is out, and the inside handle rod is in.
2. Adjust the height of the sliding wheel, make sure the both sides is in good closing. Finally seal with glass glue around the shower room. It can be used in 24 hours.