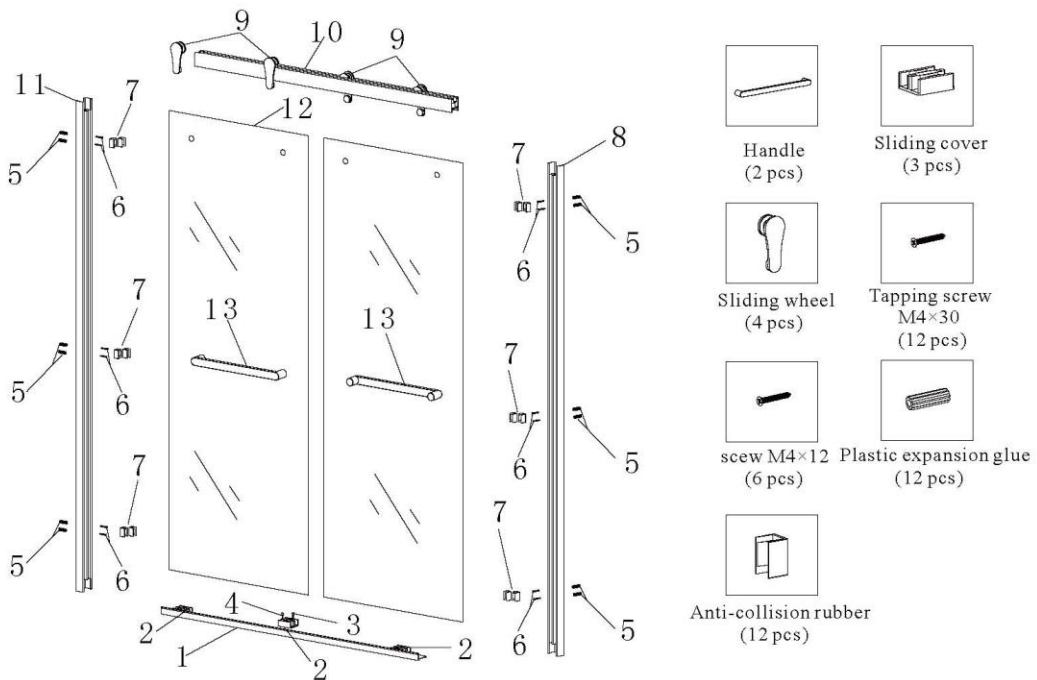
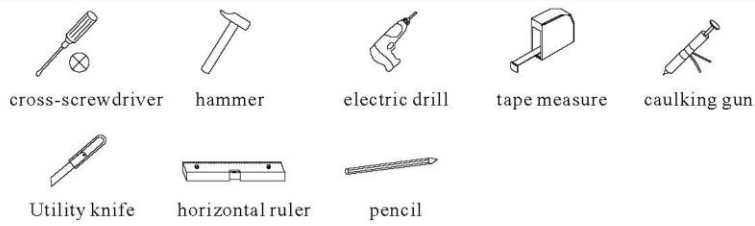


Installation for Instruction

ITEM NO:LY3401-02

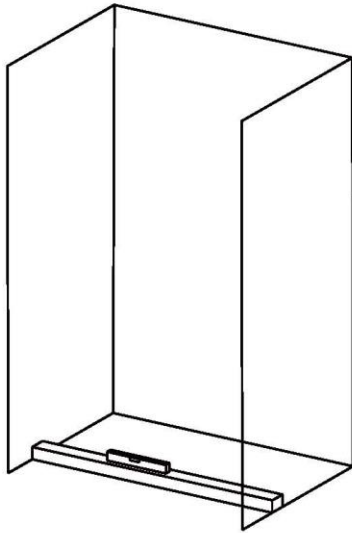
Tools you need



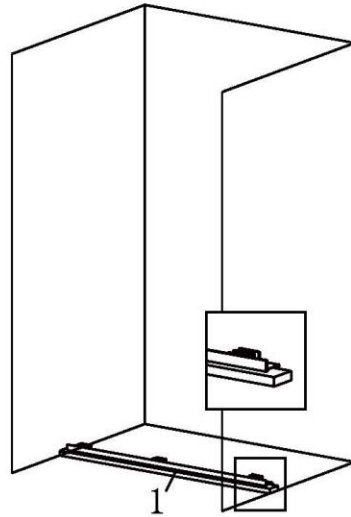
Spare parts List

5	Plastic expansion screw 6mm	10	Up rail		
4	scw M4×12	9	Sliding wheel		
3	Sliding decorative cap	8	Right side column	13	s/s handle
2	Sliding cover	7	Anti-collision rubber	12	Movable glass
1	Down rail	6	Tapping screw M4×30	11	Left side column
No.	Description	No.	Description	No.	Description

①

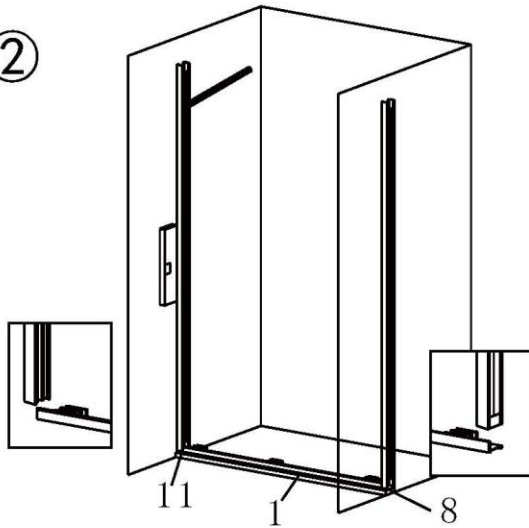


Select the installation position, put the tray or base stone to the position and measure it horizontally by spirit level.

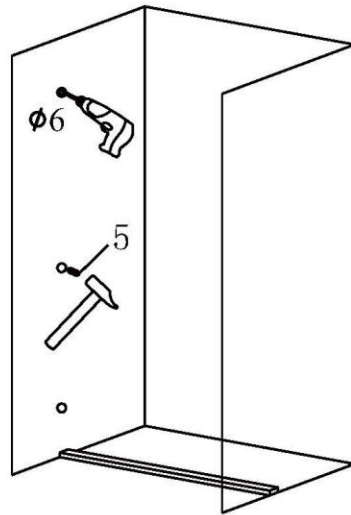


Put the down-rail to the installation position. Make sure that down-rail is in the center position, leave some space at both ends in order to install side column.

②

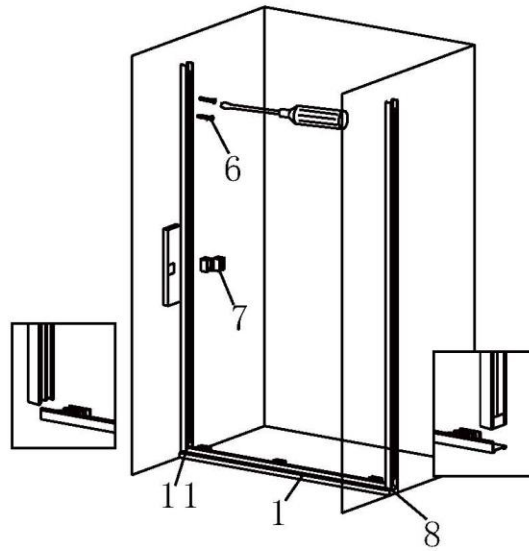


Insert the right and left column to the down-rail. Pay attention to the bottom slotting direction. Exchange the side column if the slotting direction is wrong.



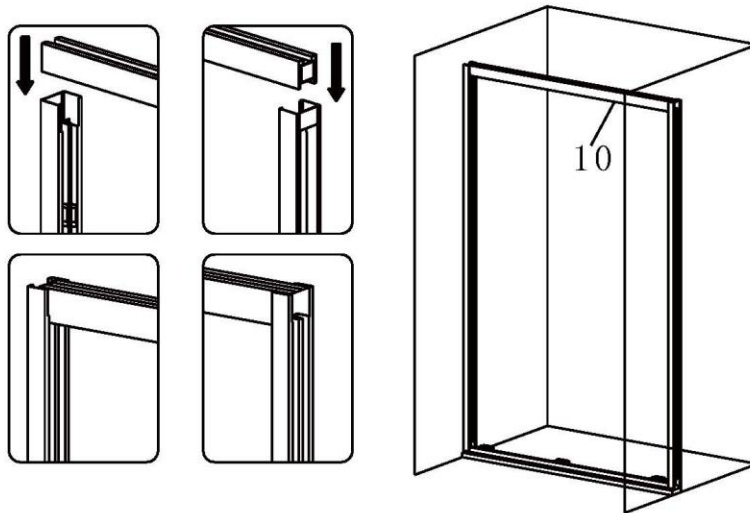
Measure the side column horizontally by spirit level, make the fixing screw hole position by pencil, remove the down rail and side column, drill a hole and insert with plastic expansion screw.

③

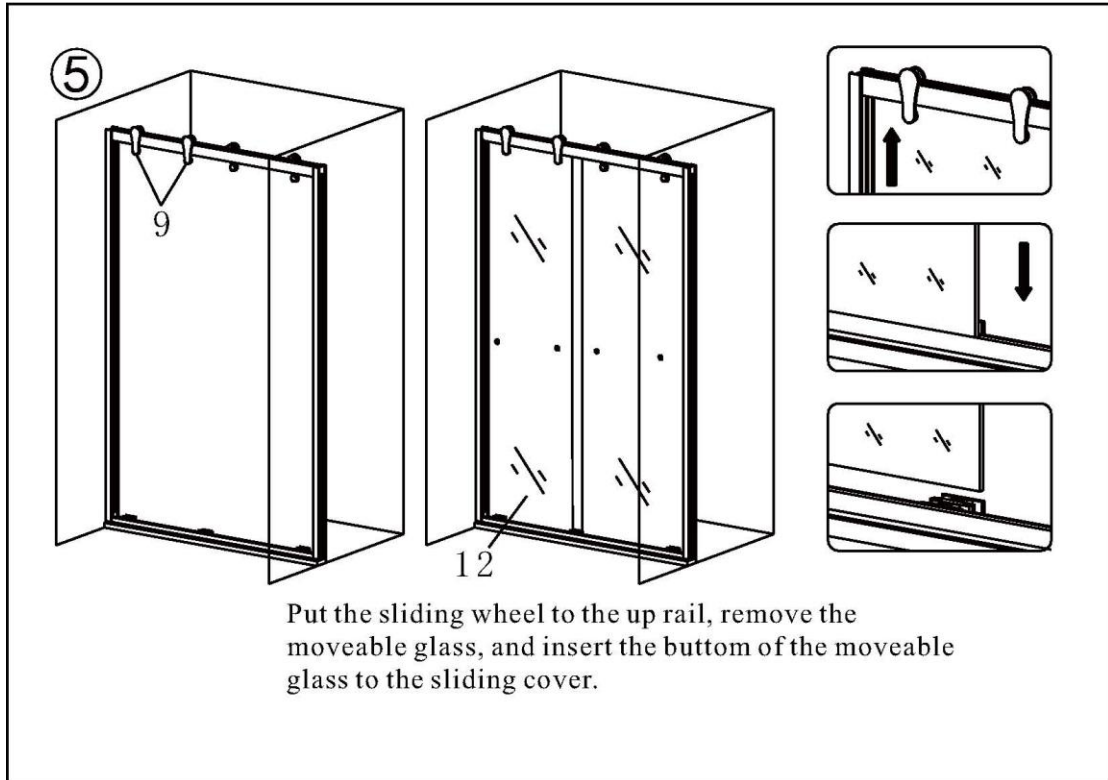


Put the down rail to the base stone, and put the left and right side columns to the down rail, measure it horizontally by spirit level.
Lock the side column and wall tightly with screw, and assemble the anti-collision rubber.

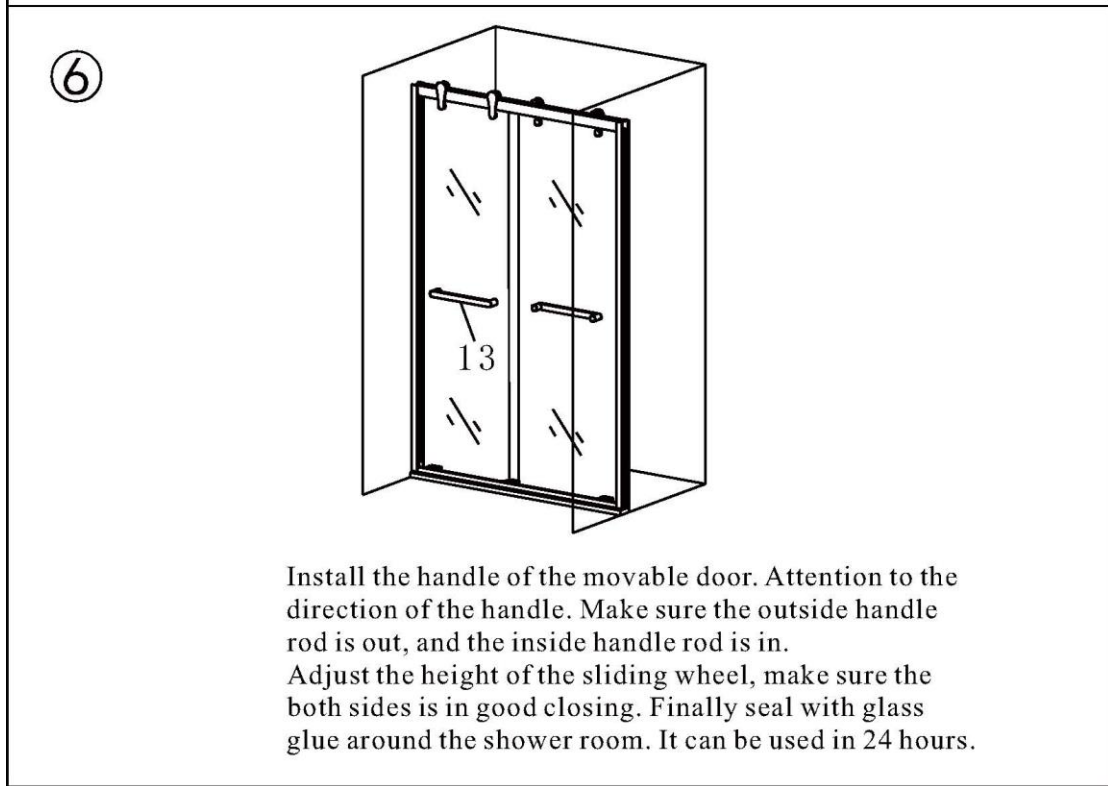
④



Make the both ends of the upper rail into the slot of the side column, push down hard to make it flatten.
After install the up-rail, adjust the length of both ends, so that the length of which rail of the column is the same.



Put the sliding wheel to the up rail, remove the moveable glass, and insert the bottom of the moveable glass to the sliding cover.



Install the handle of the movable door. Attention to the direction of the handle. Make sure the outside handle rod is out, and the inside handle rod is in. Adjust the height of the sliding wheel, make sure the both sides is in good closing. Finally seal with glass glue around the shower room. It can be used in 24 hours.