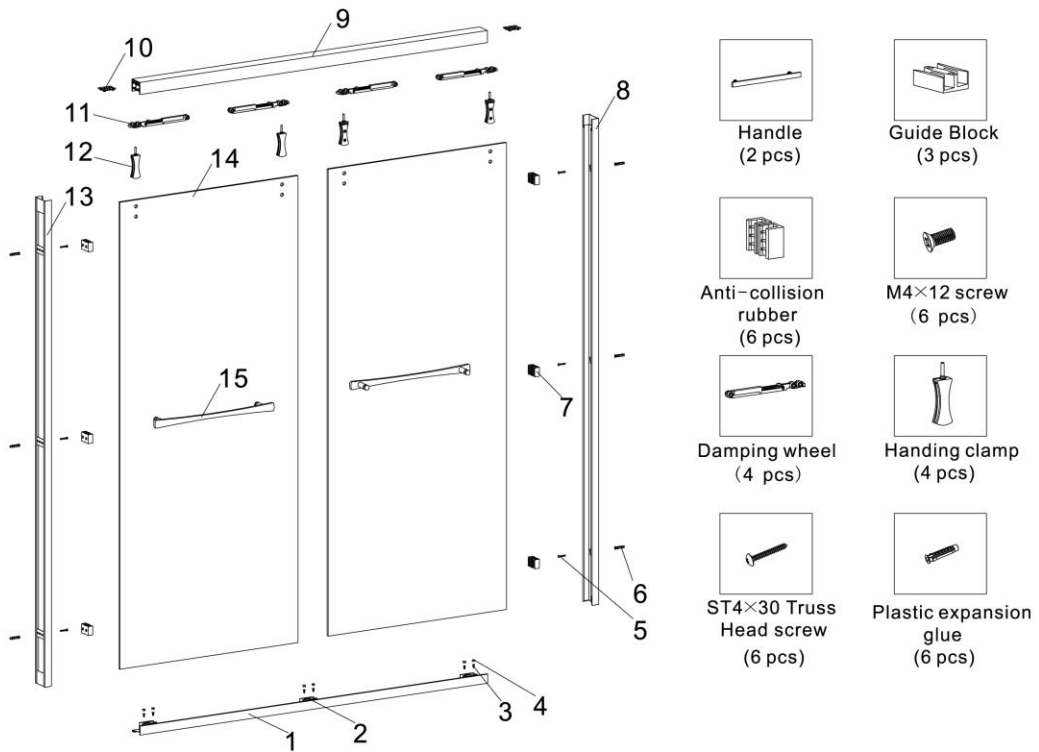


Installation for Instruction

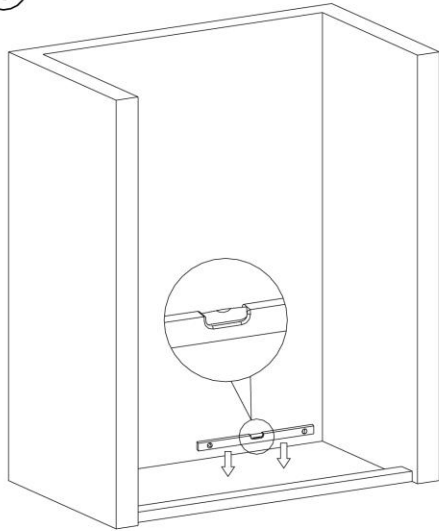
ITEM NO:LY6601-02



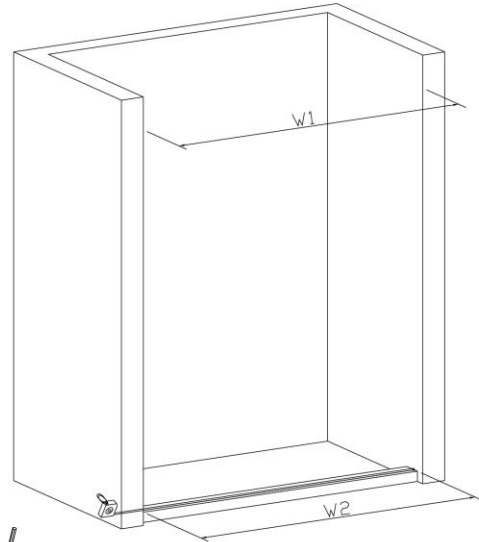
Spare parts List

5	ST4 \times 30 Truss Head screw	10	Damping limiter	15	Handle
4	Sliding cover	9	Top Guide Rail	14	Moving glass
3	M4 \times 12 screw	8	Right side column	13	Left side column
2	Guide Block	7	Anti-collision rubber	12	Handing clamp
1	Bottom Guide Rail	6	$\phi 6$ Plastic expansion glue	11	Damping wheel
No.	Description	No.	Description	No.	Description

①

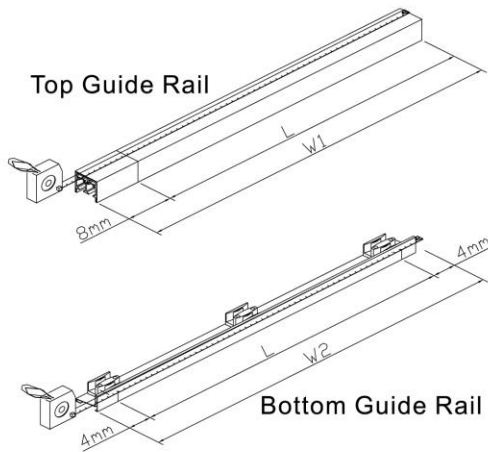


Measure by spirit level, adjust to make sure the installed position is horizontal.

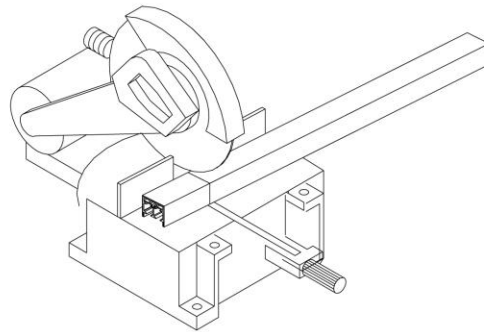


Finished opening top (W1)
Finished opening bottom (W2)

②

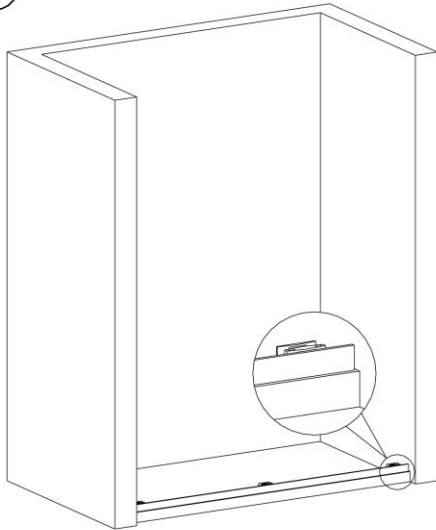


The Top Guide Rail can be cut from either end.
The Bottom Guide Rail needs to be cut equally from both ends to keep the center guide holes centered.

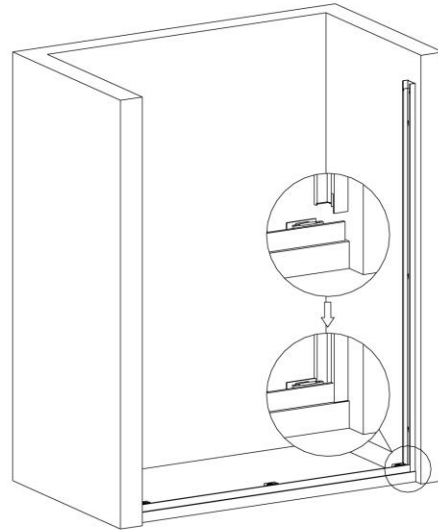


Cut the Top Guide Rail -8mm shorter than the top dimension W1.
Cut the Bottom Guide Rail -4mm×2 shorter than the bottom dimension W2

3

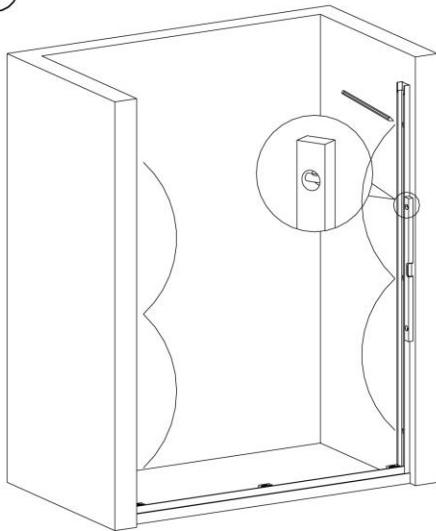


Put the bottom guide rail to the installation position. Make sure that bottom guide rail is in the center position, leave some space at both ends in order to install side column.

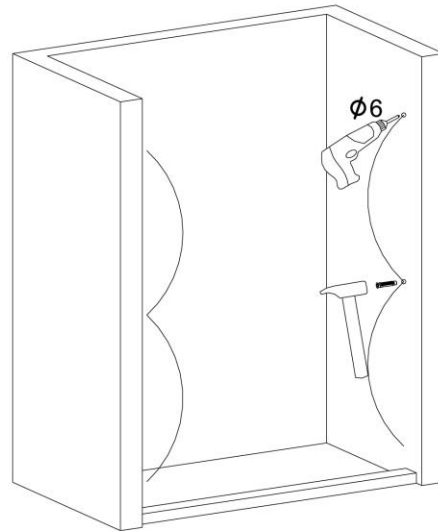


Insert the left and right side column to the bottom guide rail.

4

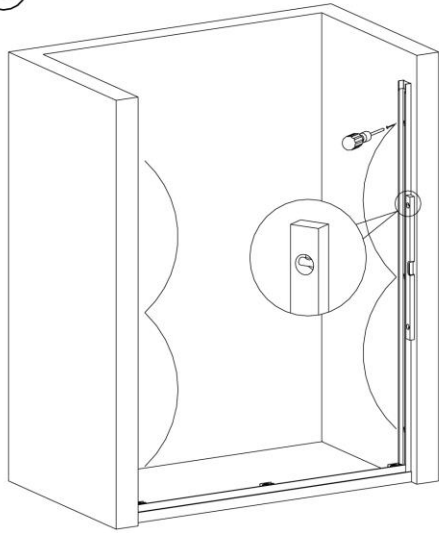


Ensure the water material is vertical, make a hole by pencil.

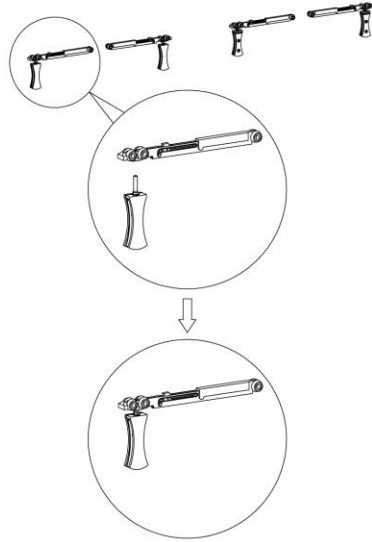


Drill a hole by an $\phi 6$ driller, Knock in the 6mm expansion screw.

5

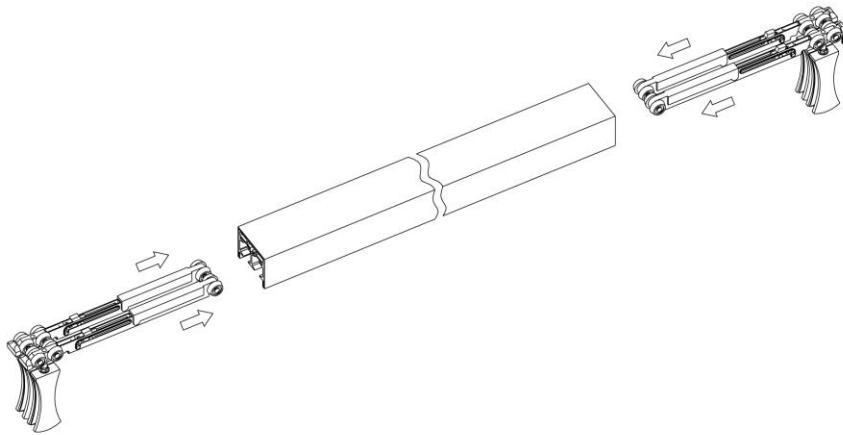


Lock the left and right side column tightly by a ST4×30 tapping screw.



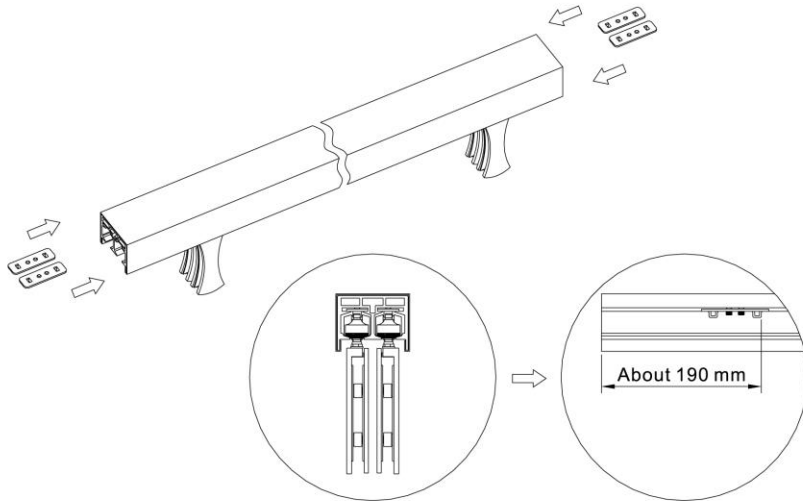
Install the handing clamp.

6



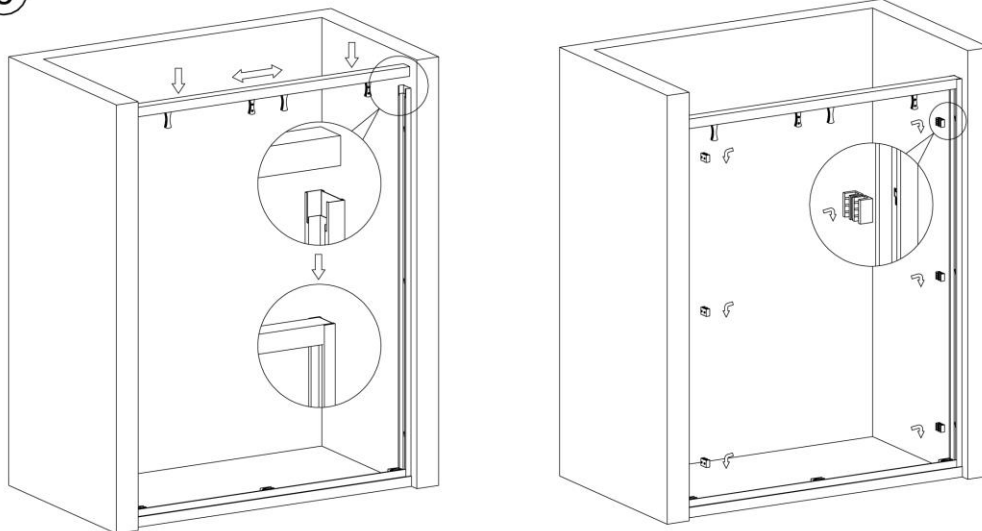
Put the damping wheel to the top guide rail.

7



Put the damping limiter to the top guide rail.
Adjust the distance from position to the edge, about 190 mm,
locked it tightly by a 2.5 mm hexagonal key.

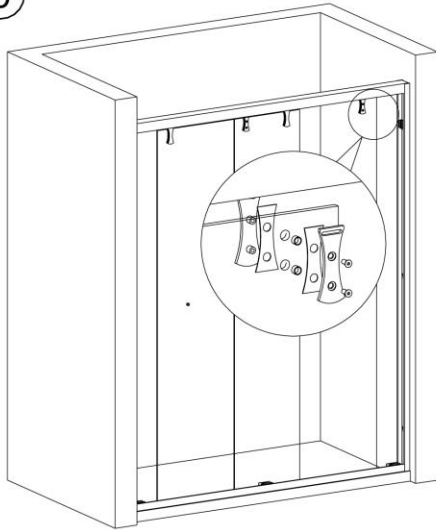
8



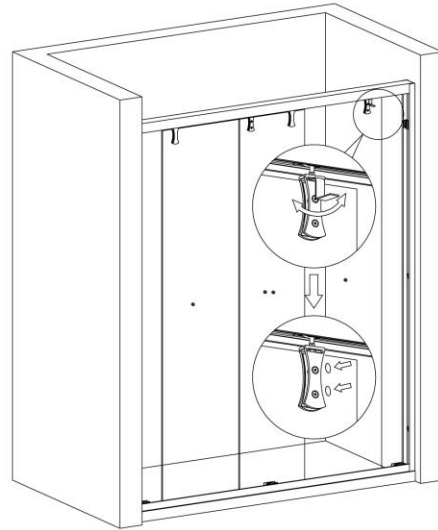
Put the both ends of the top guide rail
to the left and right side column.
Adjust the up-rail to make the space
between the left and right side column
is the same.

Install anti-collision rubber.

9

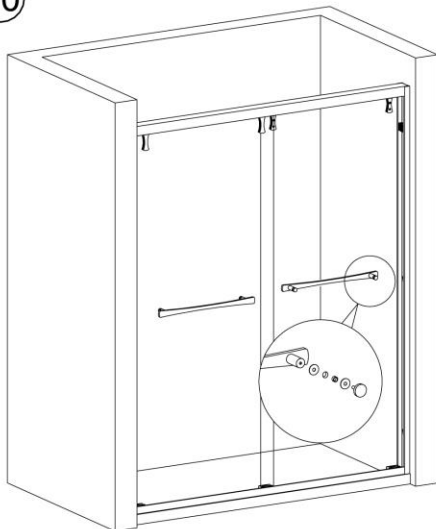


Install the moving glass.

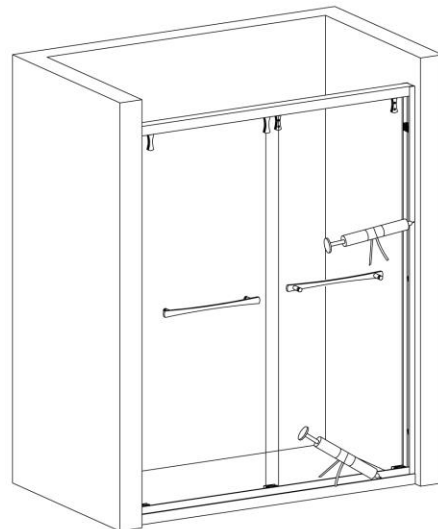


Adjust the high-low and verticality of the moving glass by spanner twisting the hexagonal screw, then put on the decorative cover.

10



Install the handle.



Finally seal with glass glue around the shower room.
It can be used after 24 hours.