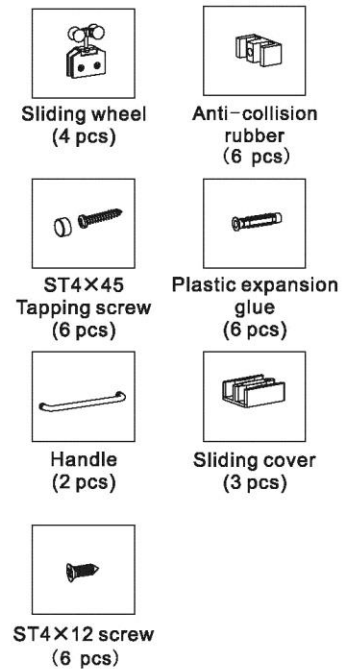
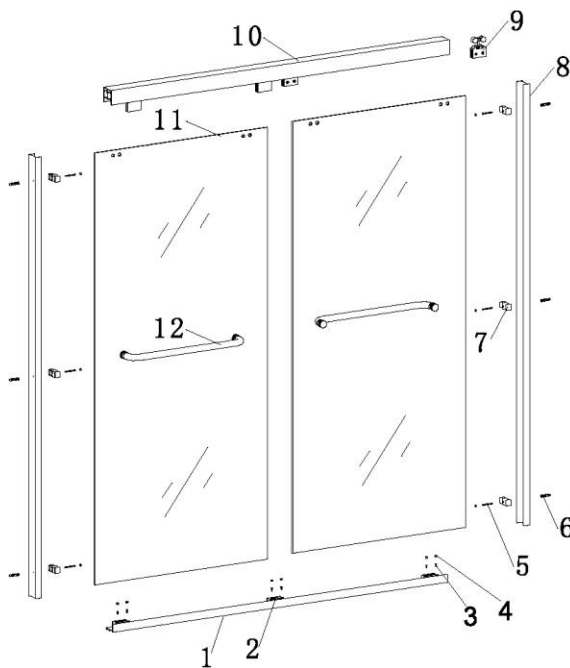


Installation for Instruction

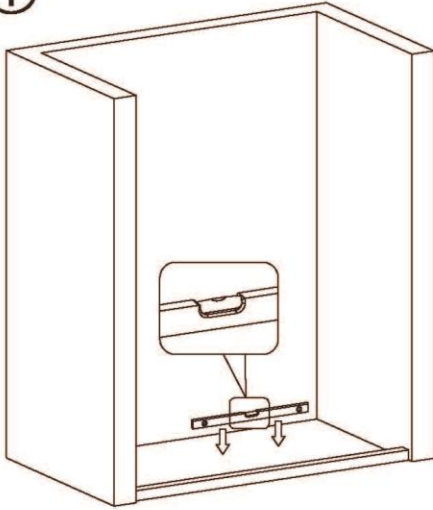
ITEM NO:LY8201-02



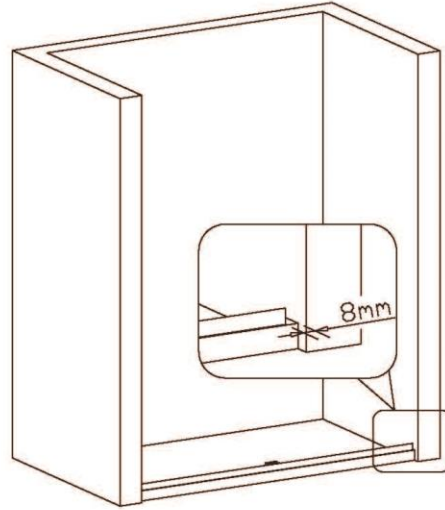
Spare parts List

5	ST4X45 Tapping screw	10	Up rail		
4	Sliding cover	9	Sliding wheel		
3	ST4X12 screw	8	Side column		
2	Sliding wheel	7	Anti-collision rubber	12	Handle
1	Down rail	6	Plastic expansion screw 6mm	11	Moving glass
No.	Description	No.	Description	No.	Description

①

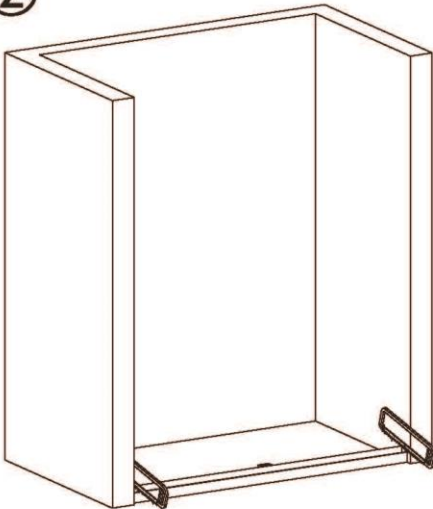


Select the installation position, put the tray or stone base to the position and measure it horizontally by spirit level.

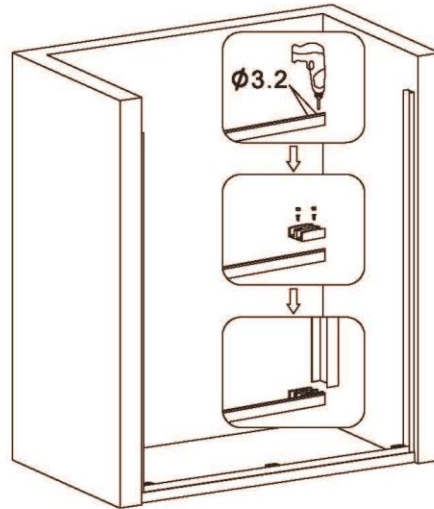


Put the down-rail to the installation position, make sure the down-rail is in the middle position, leave 8mm space at both end to install side column.

②

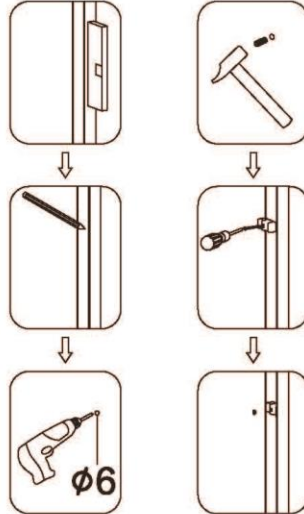
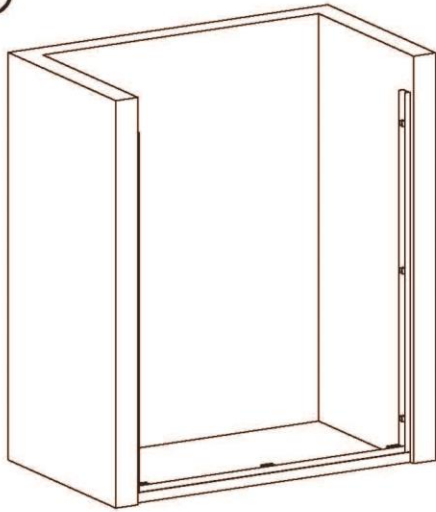


If the down-rail is too long, it's will be saw cutted. Measure and make the cutting part into two same dimensions and cut it smoothly.



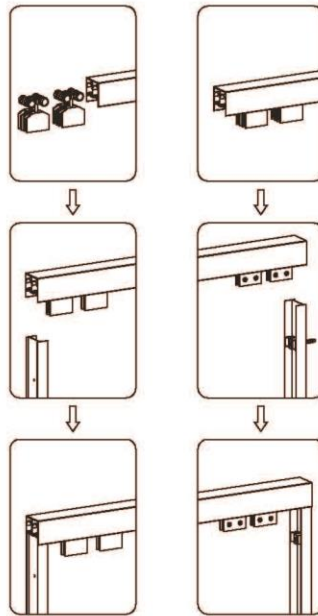
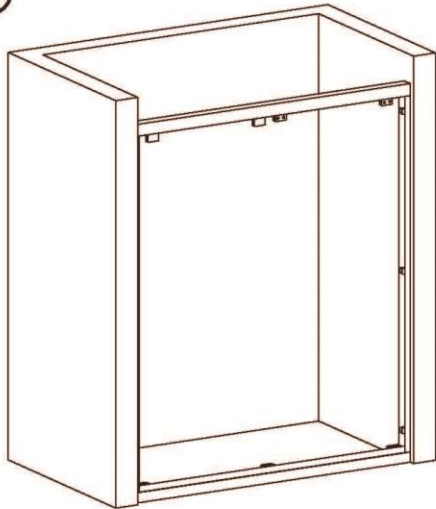
Mark the fixing screw position of the sliding wheel, and drill a hole of $\phi 3.2$. Fix the sliding wheel to the down-rail by M4×12 tapping screw, install decorative cover. Insert the side column to the down-rail.

③



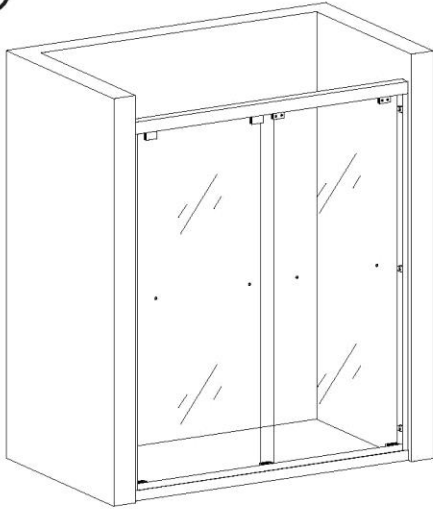
Measure the side column to make it vertically by spirit level, make the fixing screw position, drill a hole of $\phi 6$, strike the plastic inflatable glue through anti-collision rubber and fix the side column to the wall by ST4×45 tapping screw.

④

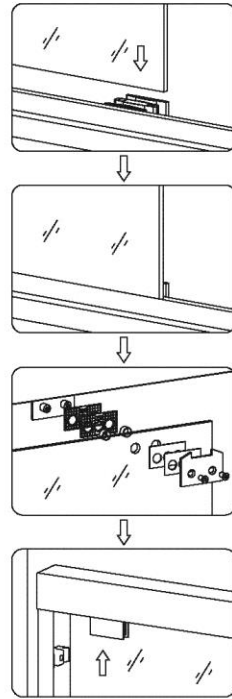


Install the sliding wheel to the upper rail.
Install the upper rail to the side column.
Adjust the length of both end of the upper and down sliding rail, make the right and left the side column the same length.

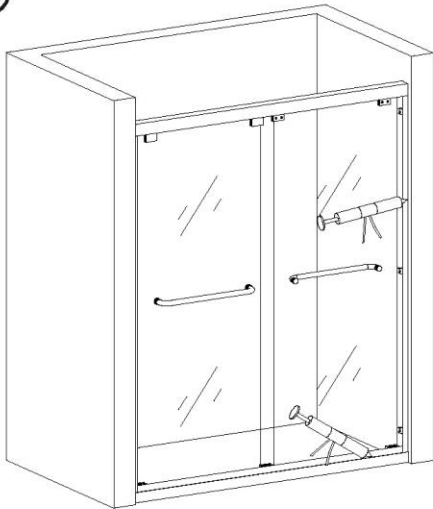
⑤



Take out the outer sliding glass, insert its bottom to the outer groove of the sliding wheel, then raise the glass to the fixing position of sliding wheel, fix the glass.



⑥



Install the handle.

Adjust the discretion of the sliding rail to make sure both sliding glass door in good closing. Final seal the glass glue around the shower room. It can be used in 24 hours.

