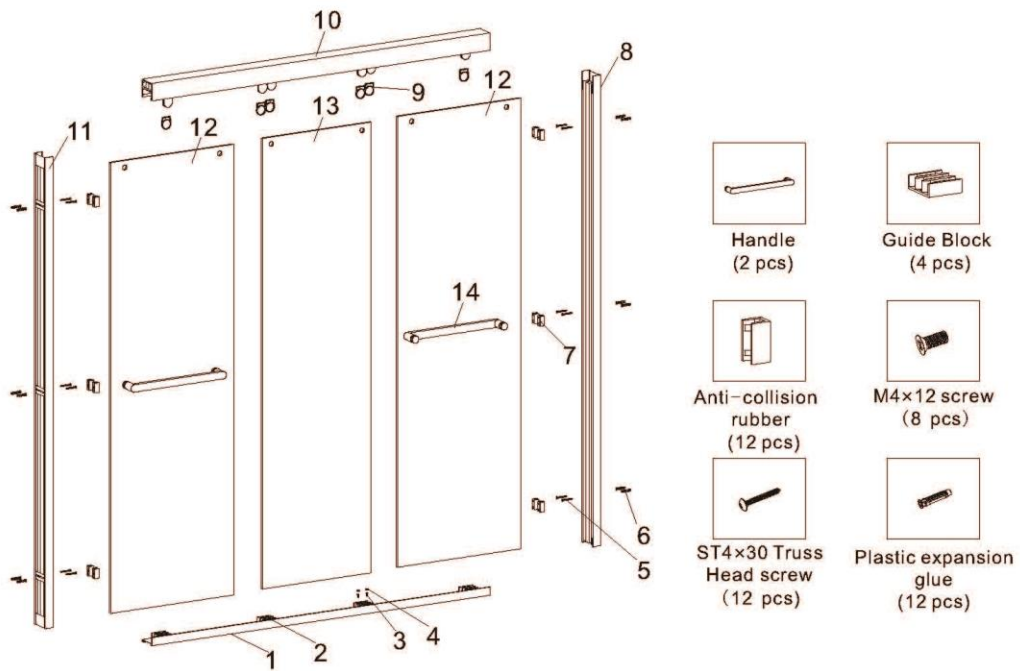


Installation for Instruction

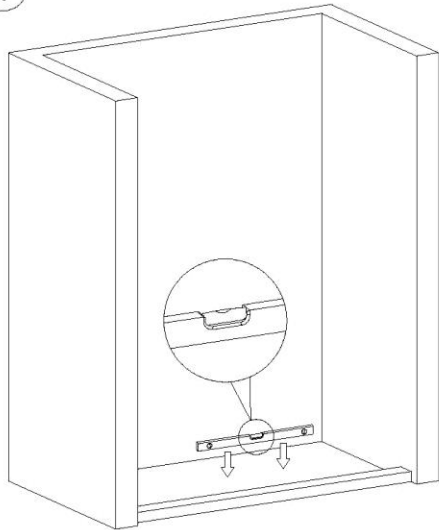
ITEM NO:LY3501-03



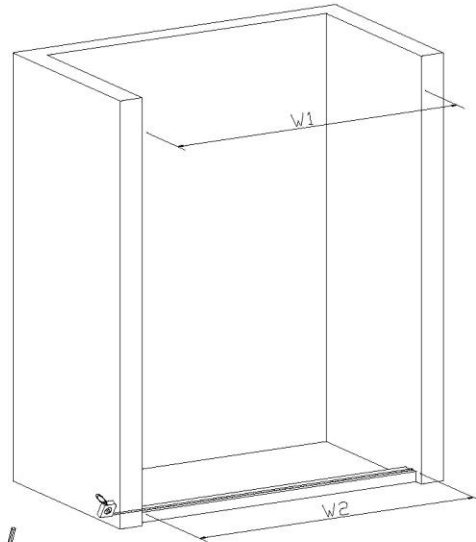
Spare parts List

5	ST4×30 Truss Head screw	10	Top Guide Rail	15	
4	Sliding cover	9	Sliding cover	14	Handle
3	M4×12 screw	8	Right side column	13	Small moving glass
2	Guide Block	7	Anti-collision rubber	12	Big moving glass
1	Bottom Guide Rail	6	∅6 Plastic Wall Anchor	11	Left side column
No.	Description	No.	Description	No.	Description

1

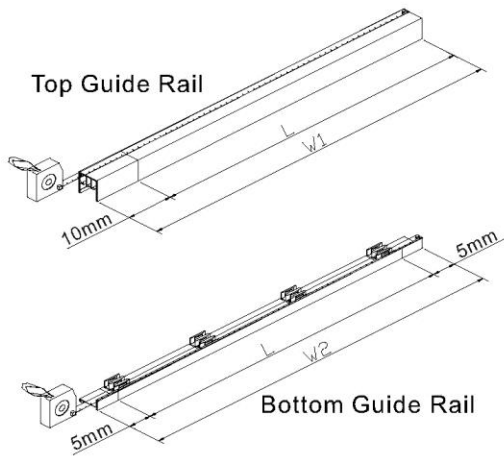


Measure by spirit level, adjust to make sure the installed position is horizontal.

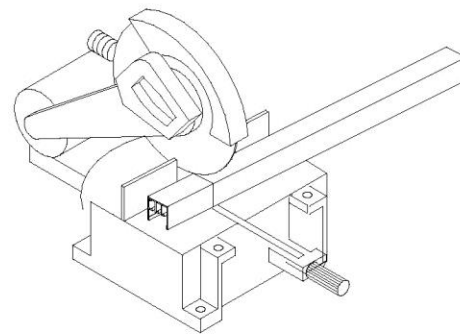


Finished opening top (W1)
Finished opening bottom (W2)

2

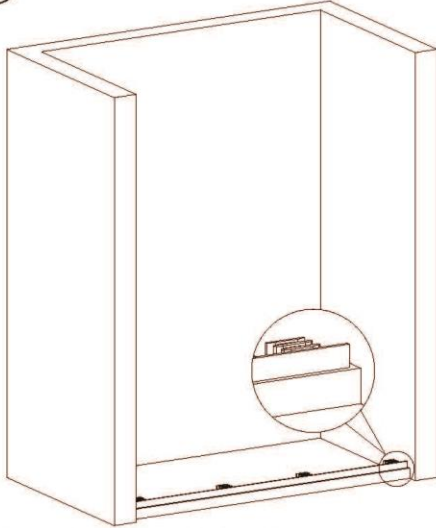


The Top Guide Rail can be cut from either end.
The Bottom Guide Rail needs to be cut equally from both ends to keep the center guide holes centered.

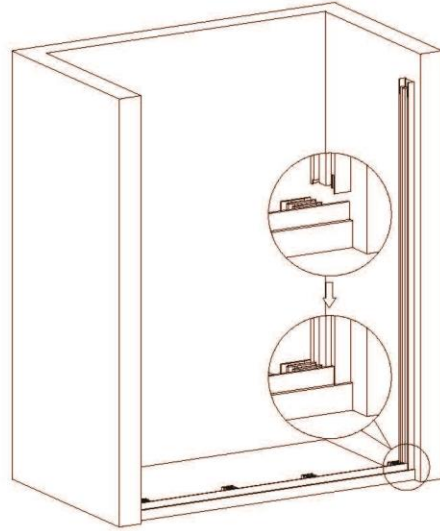


Cut the Top Guide Rail -10mm shorter than the top dimension W1.
Cut the Bottom Guide Rail -5mm×2 shorter than the bottom dimension W2

3

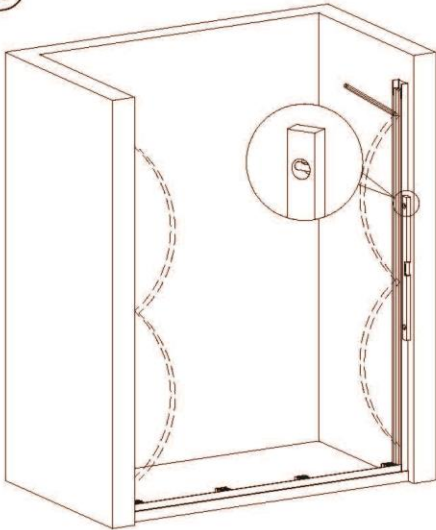


Put the bottom guide rail to the installation position. Make sure that bottom guide rail is in the center position, leave some space at both ends in order to install side column.

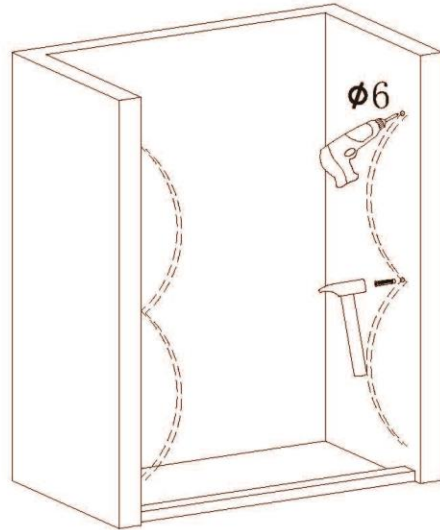


Insert the left and right side column to the bottom guide rail.

4

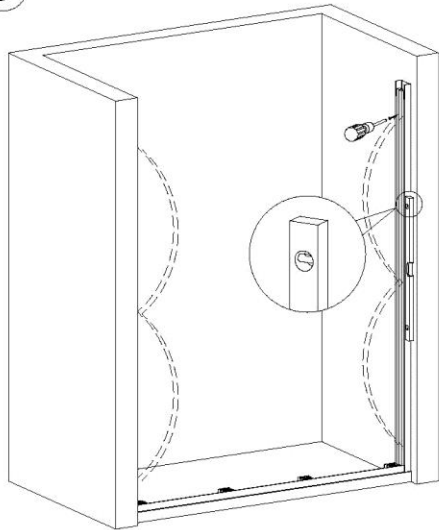


Ensure the water material is vertical, make a hole by pencil.

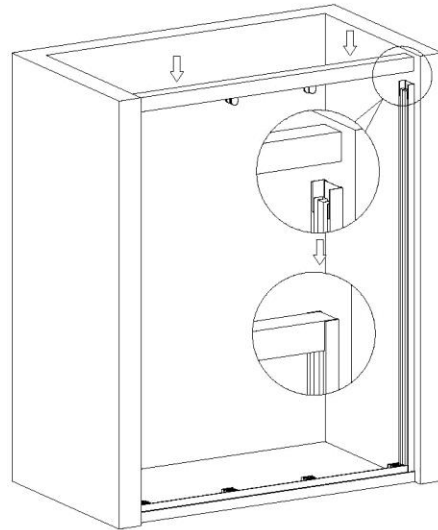


Drill a hole by an ∅6 driller, Knock in the 6mm expansion screw.

5

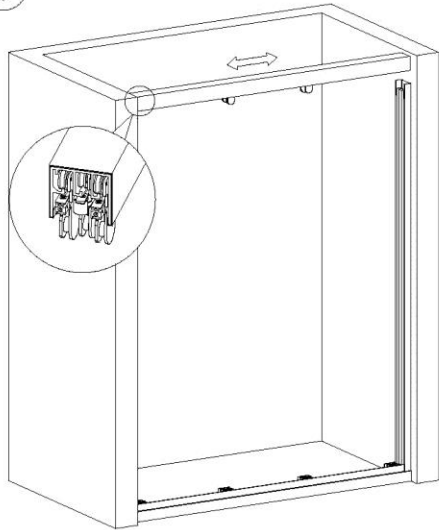


Lock the left and right side column tightly by a ST4×30 tapping screw.

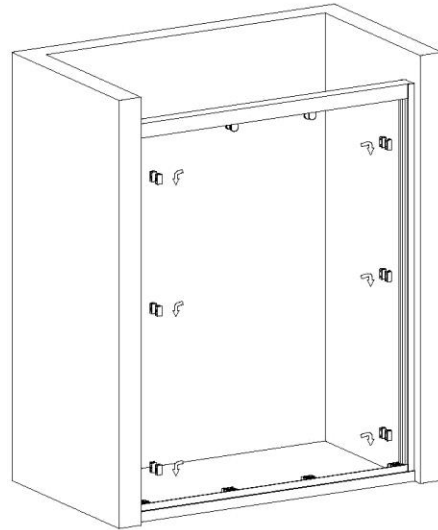


Put the both ends of the top guide rail to the left and right side column.

6

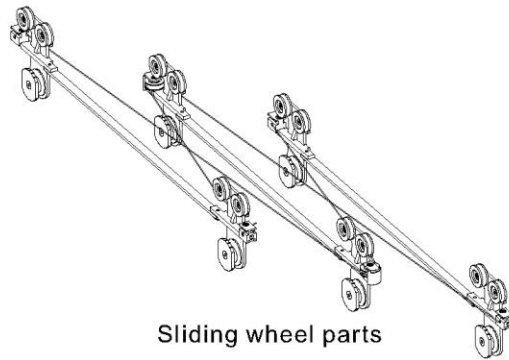
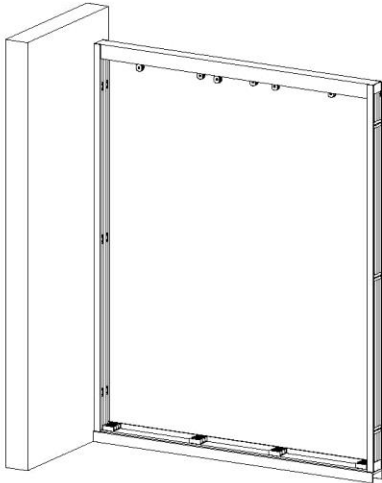


Adjust the up-rail to make the space between the left and right side column is the same.



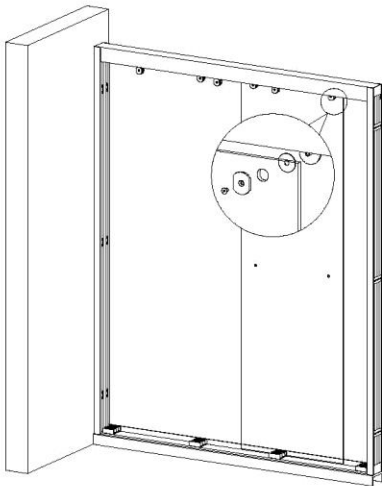
Install anti-collision rubber.

7

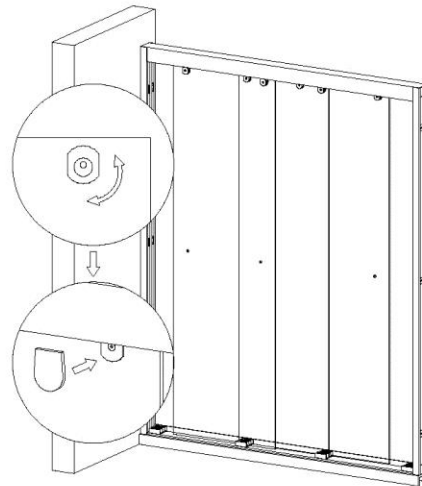


Remove the sliding wheel, stagger the position of the sliding wheel.

8

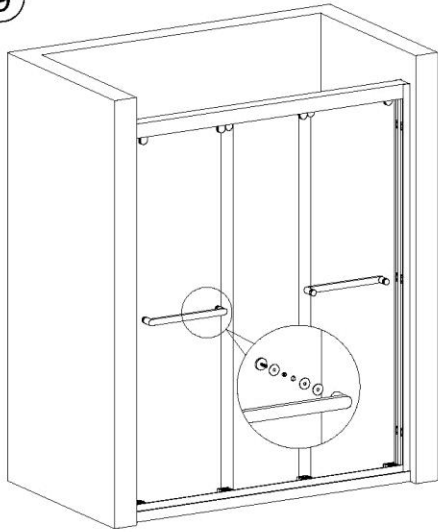


Install the outer moving glass.

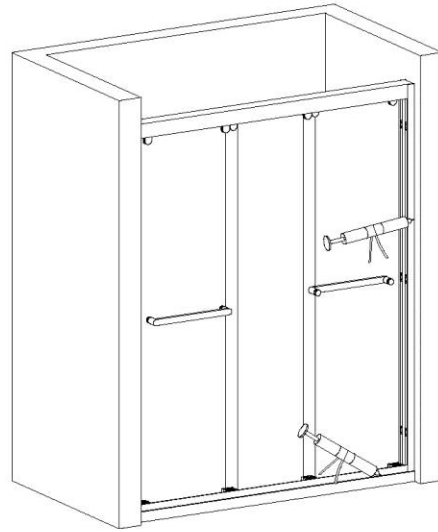


Install the middle and inner moving glasses.
Adjust the height of the moving glasses by adjusting the sliding wheel eccentric part, then put on the cover.

9



Install the handle.



Finally seal with glass glue around the shower room.
It can be used after 24 hours.
