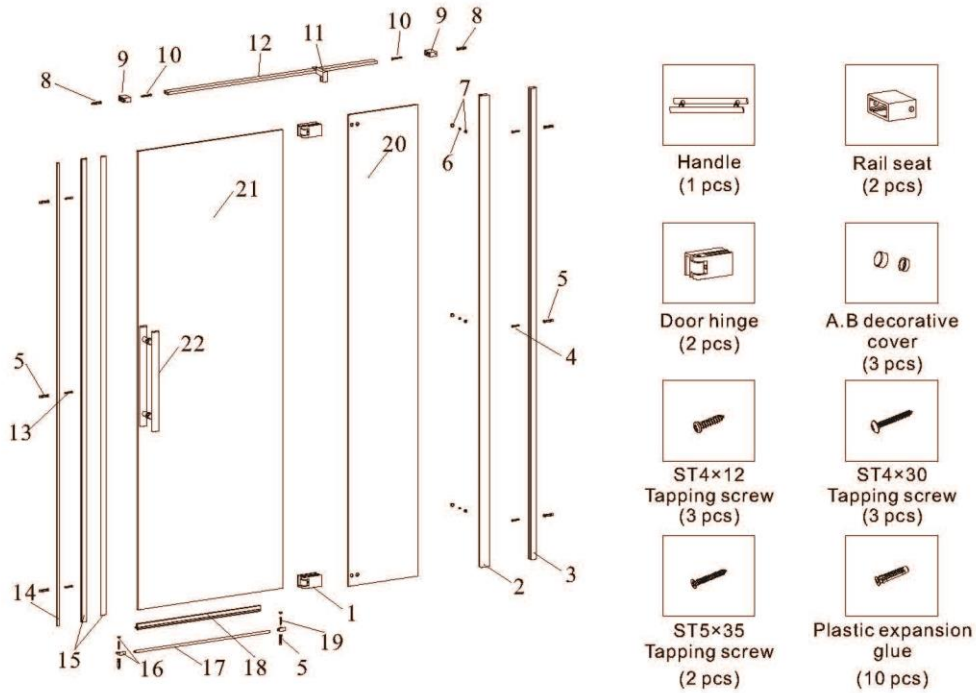


Installation for Instruction

ITEM NO:LY9701-11



Spare parts List

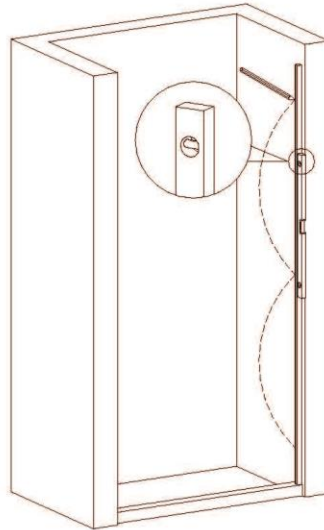
8	Ø8 Rubber	16	Anit water part	24	
7	A.B decorative cover	15	Magnetic stripe	23	
6	ST4×12 Tapping screw	14	8×8mm square tube	22	Handle
5	Ø6 Rubber	13	ST4×30 Tapping screw	21	Moving glass
4	ST4×30 Tapping screw	12	10×30mm square tube	20	Fixing glass
3	Wall material	11	Clamp	19	ST4×30 Tapping screw
2	Column material	10	ST5×35 Tapping screw	18	Rubber waterproof bar
1	Door hinge	9	Rail seat	17	Aluminum waterproof bar
No.	Description	No.	Description	No.	Description

1



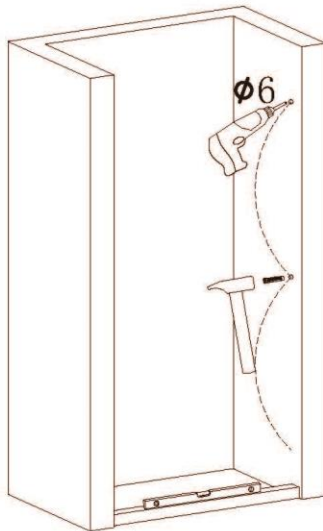
Finished opening top(W1)
Finished opening bottom(W2)

Measure by spirit level, adjust to make sure the installed position is horizontal.

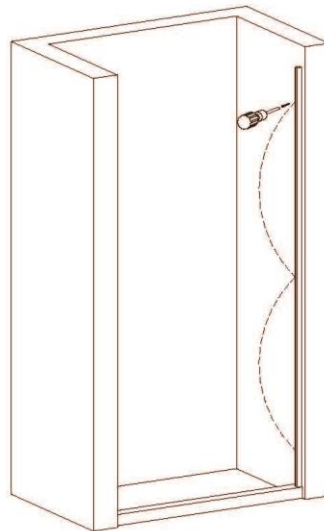


Ensure the water material is vertical, make a hole by pencil.

2

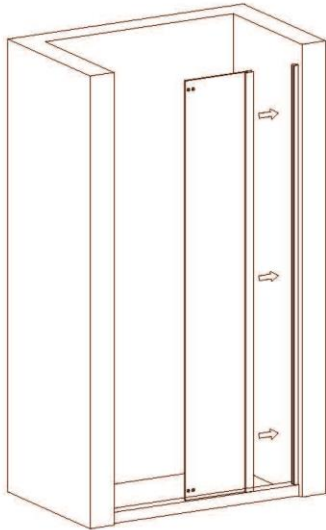


Drill a hole by an $\phi 6$ driller, Knock in the 6mm expansion screw.

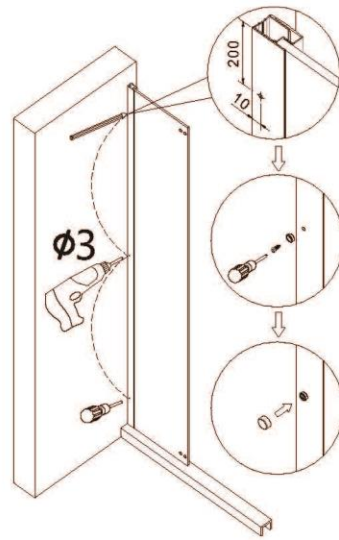


Lock it tight with a ST4×30 Tapping screw.

3

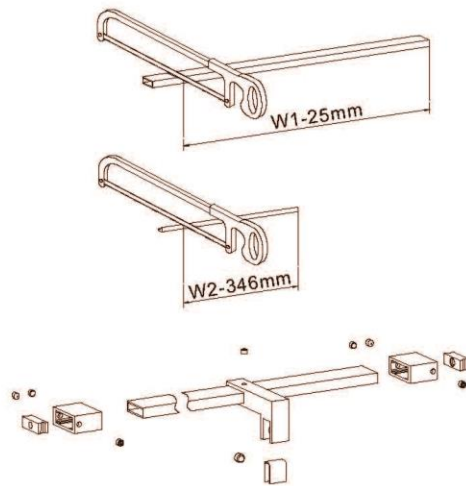
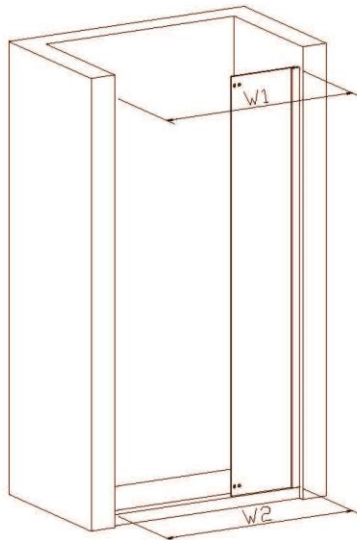


Insert the side glass.



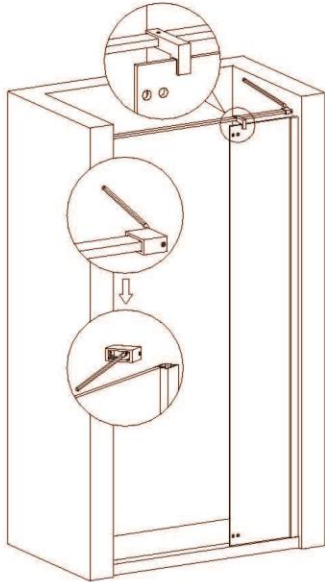
Make a hole by pencil.
Drill a $\phi 3$ hole.
Lock the column material and wall material
tightly by the ST4x12 tapping screw.

4

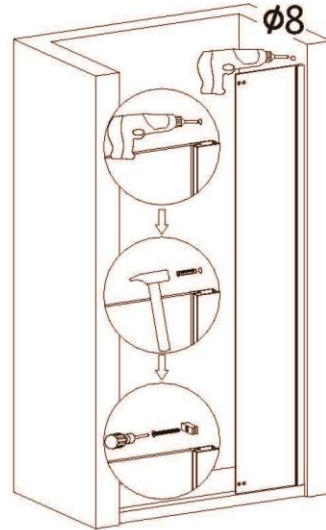


Saw cutting the suitable length of the stainless steel tube
and Aluminum water bar on the basis of practical need.
Assembly the draw bar parts.

5

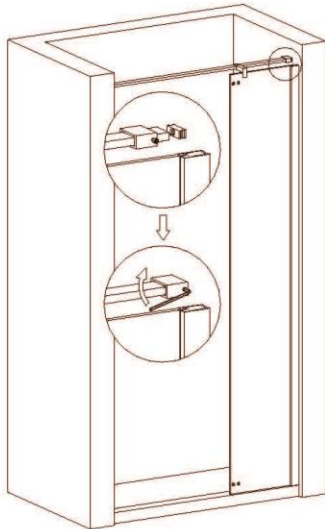


Ensure it is horizontal, draw the line along the rail seat.
Aim at the draw line to draw the centre hole.

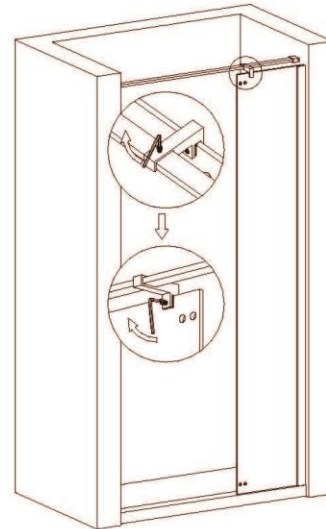


Drill a $\varnothing 8$ hole.
Knock in the $\varnothing 8$ Rubber.
Lock the tube fixing part tightly by a ST5×35 tapping screw.

6

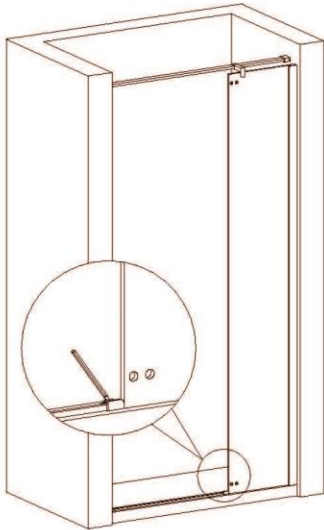


Install the draw bar parts.
Tight the tube seat with a 3 mm hexagonal key.

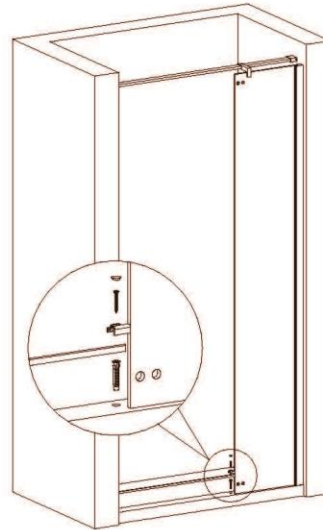


Tight the clamp with a 3 mm hexagonal key.
Tight the clamp and fixing glass with a 4 mm hexagonal key.

7

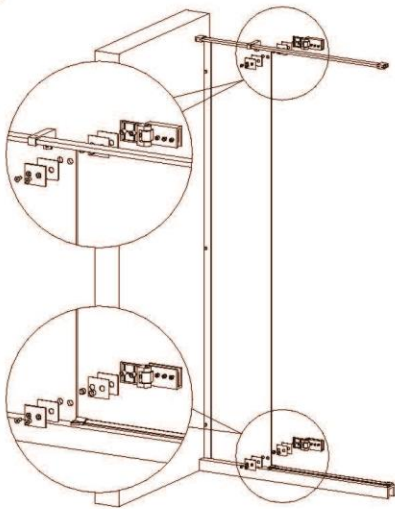


Make a hole by pencil.

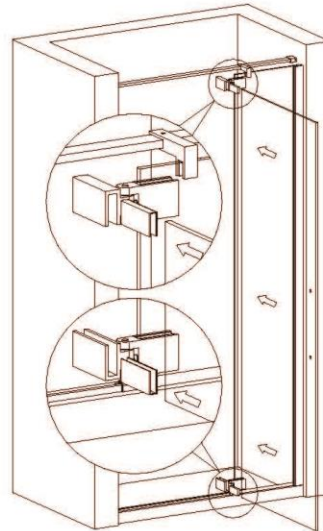


Drill a $\varnothing 6$ hole.
Knock in the $\varnothing 6$ Rubber.
Lock the rubber waterproof bar tightly by
a ST4 \times 30 tapping screw.

8

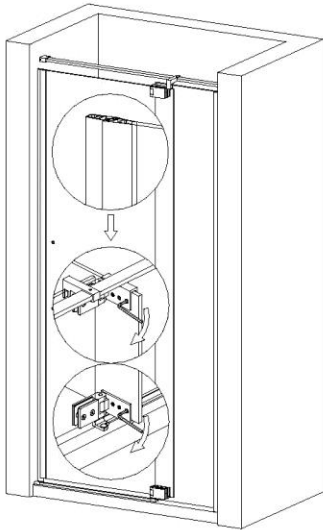


Install the door hinge.

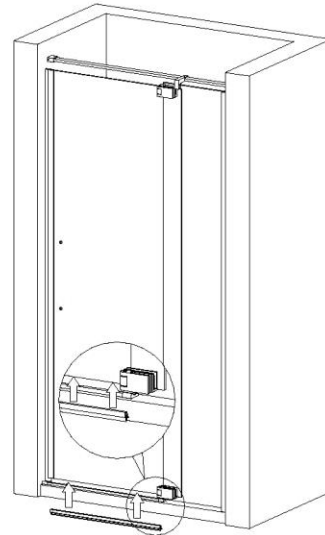


Install the moving glass.

11

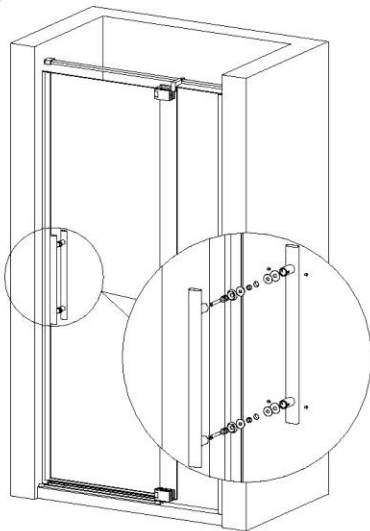


Adjust the moving glass, make sure the magnetic stripe adsorbed tightly.

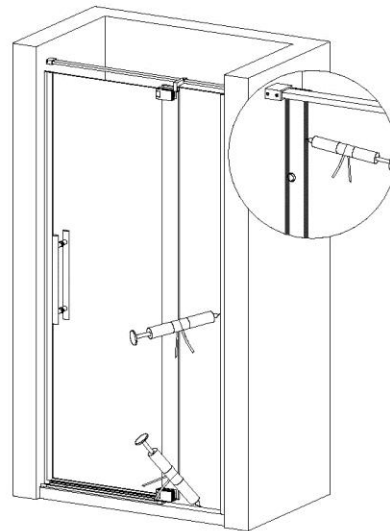


Install the rubber waterproof bar.

12



Install the handle.



Seal the glass glue around the shower room.
It can be used after 24 hours.