

Installation manual of LED Mirror

Size:

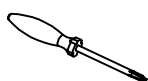
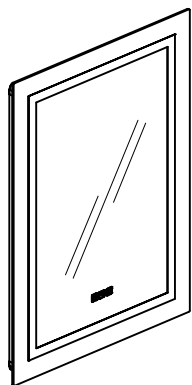
- 24" * 31-1/2" * 1-1/2" (596*800*35mm)
- 30" * 31-1/2" * 1-1/2" (750*800*35mm)
- 36" * 31-1/2" * 1-1/2" (900*800*35mm)
- 48" * 31-1/2" * 1-1/2" (1205*800*35mm)
- 56" * 31-1/2" * 1-1/2" (1420*800*35mm)

Please read the installation instructions carefully before installation.

This product should only be installed by qualified professionals.

Before installing this product, you must confirm that the power supply is disconnected

Tools



Phillips Screwdriver



Drill bit (Φ=5/16")



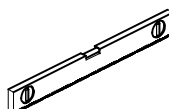
Power Drill



Tape Measure



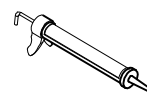
Metal File



Level



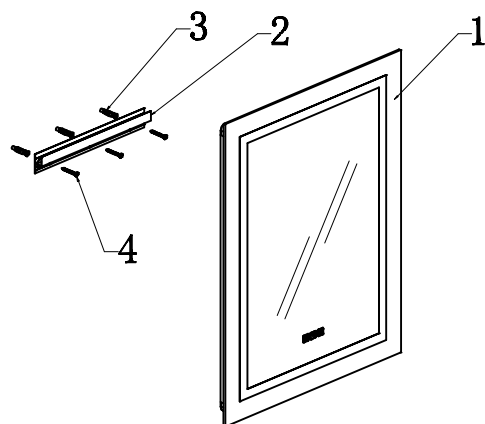
Hammer



Caulk



Pencil



Power cables position
Input: 110V, 50/60Hz

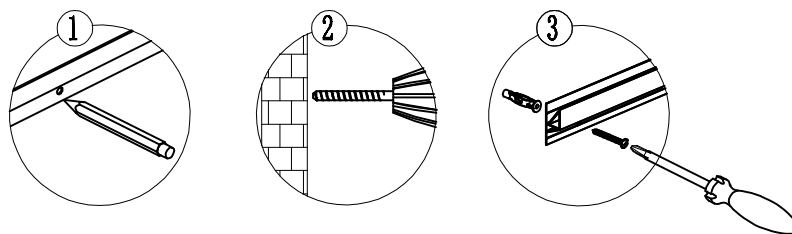
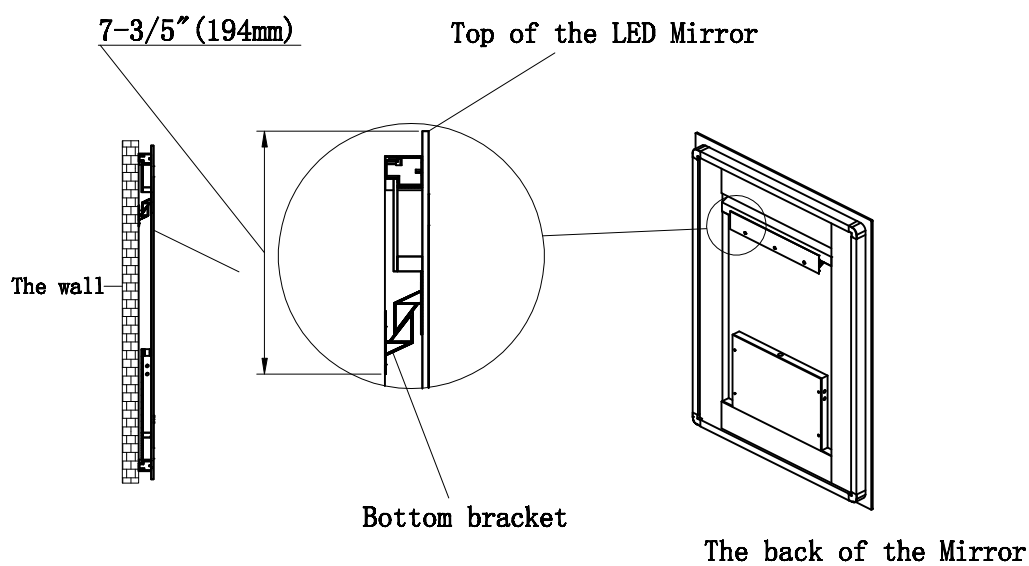
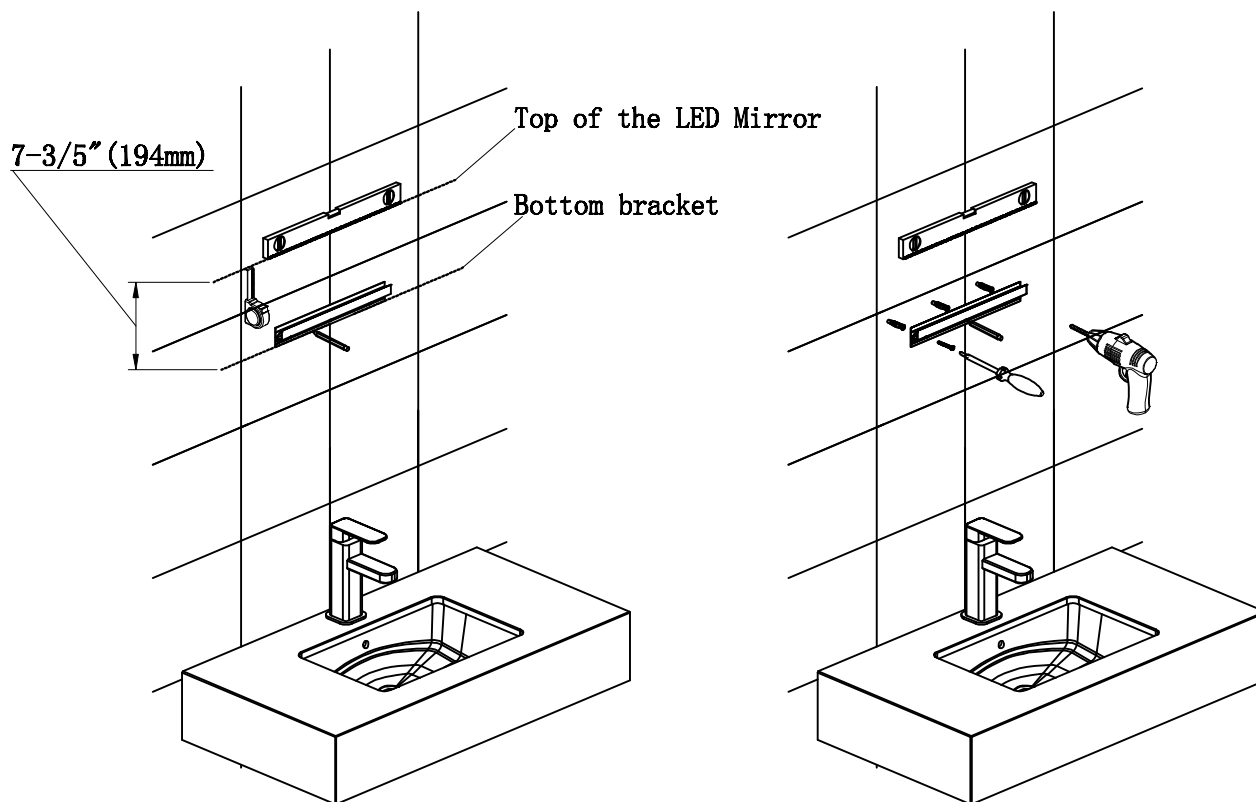
3" (75mm)

Anti-fog/dimming and light switch/Color
1). Determine the installation position of the LED Mirror and mark it with a level on the wall.

NOTE: LED Mirror should be placed minimum of 3" above the faucet.

Parts list

#	ITEM	Qty	#	ITEM	Qty
1	LED Mirror	1PCS	3	Wall anchors	3(4)PCS
2	Bottom bracket	1PCS	4	#9 x 2 in. Screws	3(4)PCS



- 2) A. As shown above, mark the position of the Bottom bracket and the drilling position.
 B. Install the Bottom bracket and make sure it is solid.
 C. Mount the LED Mirror to the Bottom bracket.